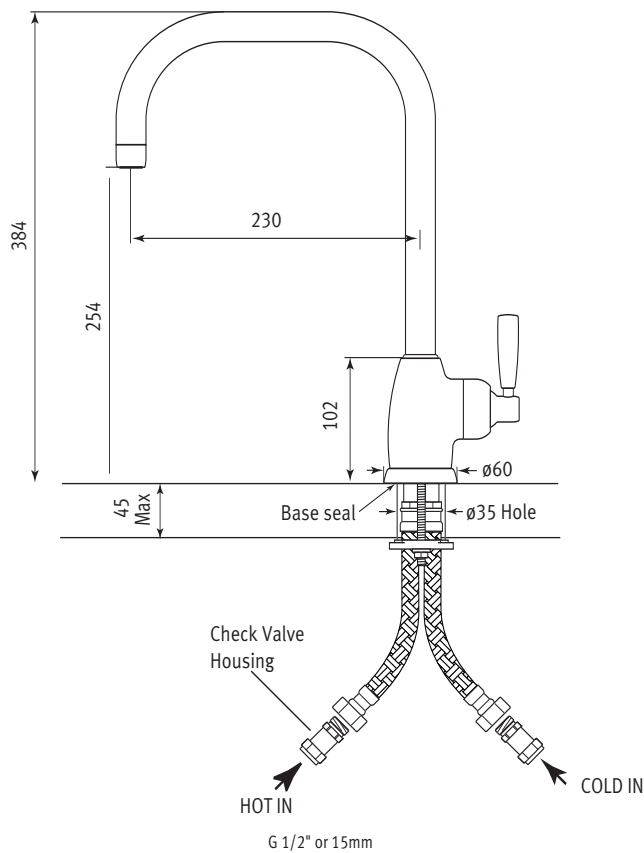


# Specification 4843



## Mimas Single Lever 'U' Spout

- Easy to operate single handle design. ● Flexible connectors for easier installation.
- Single flow.



### Temp Range:

min 1°C/34°F

max 85°C/185°F

### Recommended working pressure:

min 0.5 bar/7psi

max 5 bar/75psi

# Specification 4843

## Mimas Single Lever 'U' Spout

- Easy to operate single handle design.
- Flexible connectors for easier installation.
- Single flow.

Where \* Indicated Specify Colour.

