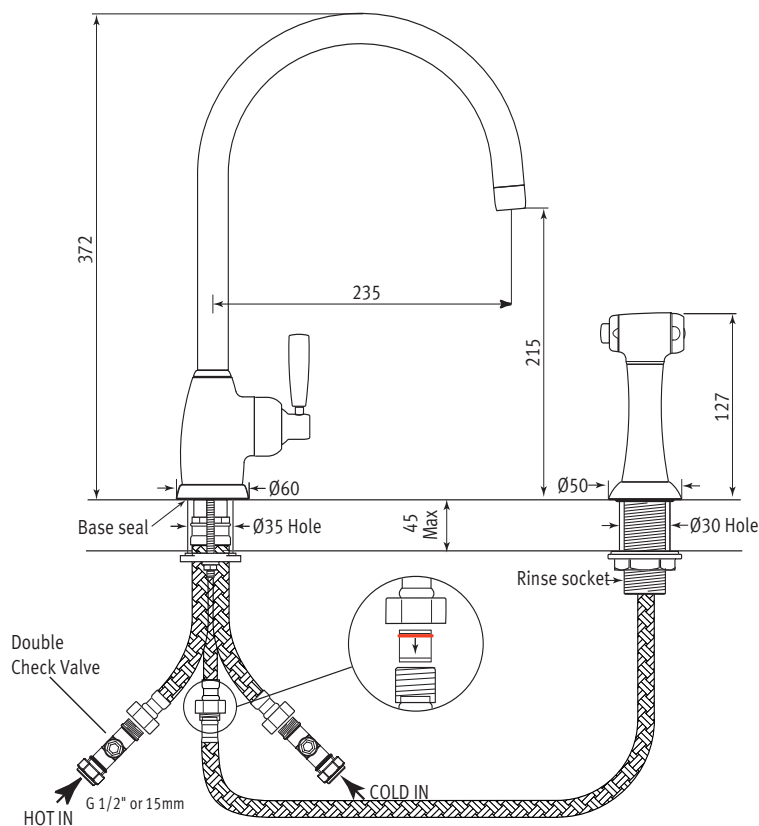


Specification 4846



Mimas Single Lever 'C' Spout with Rinse

- easy to operate single handle design. ● flexible connectors for easier installation.
- pull out rinse with insulated handle



Temp Range:

min 1°C/34°F
max 85°C/185°F

Recommended working pressure:

min 1 bar/15psi
max 5 bar/75psi

Specification 4846

Mimas Single Lever 'C' Spout with Rinse

- easy to operate single handle design.
- flexible connectors for easier installation.
- pull out rinse with insulated handle

Where * Indicated Specify Colour.

