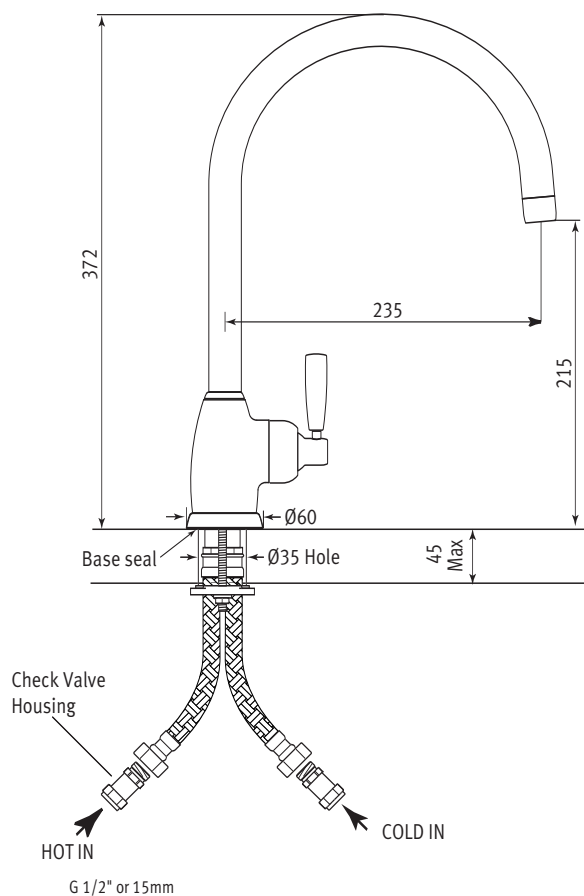


# Specification 4841

## Mimas Single Lever 'C' Spout

- Easy to operate single handle design.
- flexible connectors for easier installation.



### Temp Range:

min 1°C/34°F

max 85°C/185°F

### Recommended working pressure:

min 0.5 bar/7psi

max 5 bar/75psi



# Specification 4841

## Mimas Single Lever 'C' Spout

- Easy to operate single handle design.
- flexible connectors for easier installation.

Where \* Indicated Specify Colour.

