

**NE-450** THE ALUMINIUM EDWARDIAN 4 COLUMN 450

**NE-650** THE ALUMINIUM EDWARDIAN 4 COLUMN 650

**NE-750** THE ALUMINIUM EDWARDIAN 4 COLUMN 750

Arroll is a name that is synonymous with Cast Iron Radiators, recreating traditional designs for over 15 years. Using innovative modern techniques, we have created an Aluminium version of our popular Edwardian Model.

The Aluminium Edwardian 4 Column is an Aluminium outer with steel tubing inside to avoid corrosion and metal transference.



**Arroll**

#### THE ALUMINIUM EDWARDIAN 4 COLUMN 450

##### RADIATOR DIMENSIONS

Radiator Height:	450 mm
12 Section length:	728 mm
15 Section length:	906 mm
19 Section length:	1142 mm
Radiator depth:	175 mm

##### INLET & EXIT

Bottom inlet to floor:	98 mm
Top inlet to floor:	398 mm

##### HEAT OUTPUT (Delta $\Delta T$ 50°C:)

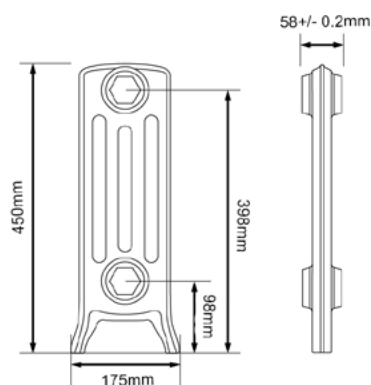
12 sections:	2247 BTUs
15 sections:	2808 BTUs
19 sections:	3557 BTUs

##### RADIATOR WEIGHT (EMPTY)

12 sections:	23.8 KG
15 sections:	29.7 KG
19 sections:	37.6 KG

##### INTERNAL VOLUME

12 sections:	3.1 L
15 sections:	4.0 L
19 sections:	5.1 L



\*All measurements and sizes are approximate.

##### Terms & Conditions

It is the policy of Arroll Limited to allow a 4% +/- tolerance on all measurements and sizes provided. It is not recommended that plumbers fit pipe centres prior to the arrival & inspection of the radiator. Warranty is subject to the installation of the radiator in accordance to the fitting instruction supplied. The Arroll name including its trademark is registered property of Arroll Limited, Belfast.

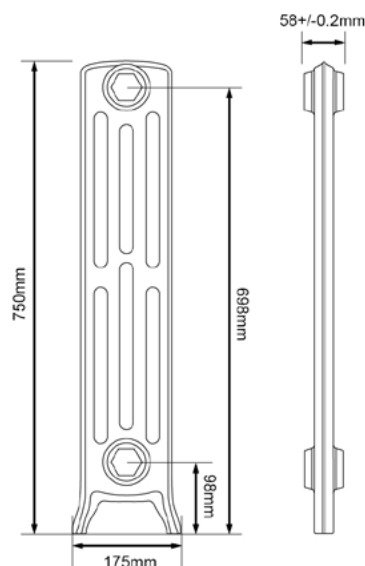
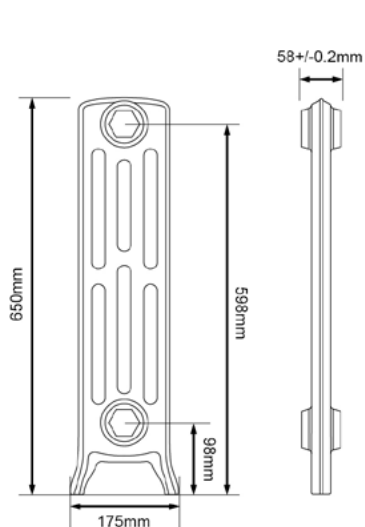
© Copyright 2021 Arroll Limited

**NE-450 / NE-650 / NE-750** THE ALUMINIUM EDWARDIAN 4 COLUMN 450, 650 & 750

**NE-450** THE ALUMINIUM EDWARDIAN 4 COLUMN 450

**NE-650** THE ALUMINIUM EDWARDIAN 4 COLUMN 650

**NE-750** THE ALUMINIUM EDWARDIAN 4 COLUMN 750



THE ALUMINIUM EDWARDIAN 4 COLUMN 650

**RADIATOR DIMENSIONS**

Radiator Height:	650 mm
12 Section length:	728 mm
15 Section length:	906 mm
19 Section length:	1142 mm
Radiator depth:	175 mm

**INLET & EXIT**

Bottom inlet to floor:	98 mm
Top inlet to floor:	598 mm

**HEAT OUTPUT (Delta ΔT 50 °C:)**

12 sections:	3360 BTUs
15 sections:	4200 BTUs
19 sections:	5320 BTUs

**RADIATOR WEIGHT (EMPTY)**

12 sections:	29.3 KG
15 sections:	36.6 KG
19 sections:	46.4 KG

**INTERNAL VOLUME**

12 sections:	3.6 L
15 sections:	4.5 L
19 sections:	5.7 L

\*All measurements and sizes are approximate.

**Terms & Conditions**

It is the policy of Arroll Limited to allow a 4% +/- tolerance on all measurements and sizes provided. It is not recommended that plumbers fit pipe centres prior to the arrival & inspection of the radiator. Warranty is subject to the installation of the radiator in accordance to the fitting instruction supplied. The Arroll name including its trademark is registered property of Arroll Limited, Belfast.

THE ALUMINIUM EDWARDIAN 4 COLUMN 750

**RADIATOR DIMENSIONS**

Radiator Height:	750 mm
12 Section length:	728 mm
15 Section length:	906 mm
19 Section length:	1142 mm
Radiator depth:	175 mm

**INLET & EXIT**

Bottom inlet to floor:	98 mm
Top inlet to floor:	698 mm

**HEAT OUTPUT (Delta ΔT 50 °C:)**

12 sections:	3517 BTUs
15 sections:	4397 BTUs
19 sections:	5569 BTUs

**RADIATOR WEIGHT (EMPTY)**

12 sections:	29.5 KG
15 sections:	36.9 KG
19 sections:	46.7 KG

**INTERNAL VOLUME**

12 sections:	4.5 L
15 sections:	5.6 L
19 sections:	7.1 L

\*All measurements and sizes are approximate.