

SPECIFICATIONS

DESCRIPTION

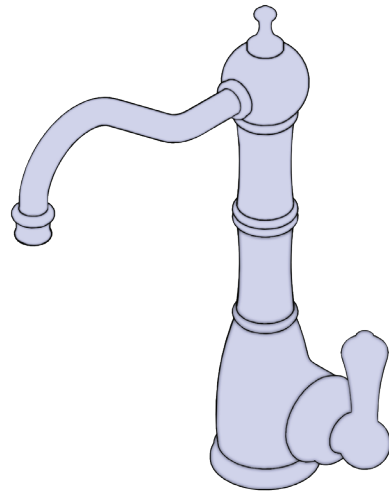
- High quality nano filtration technology with limescale reduction
- Anti-scald lock
- Minimal heat loss
- Open vented system
- Digital temperature control accurate to 0.5°C
- Multiple pre-set temperatures ranging from 75°C to 98°C

FLOW

- Recommended working pressure 0.5 bar/7.5PSI
- Maximum 5 bar/ 75 PSI
- 4L /min at 1 bar
- 8L /min at 3 bar

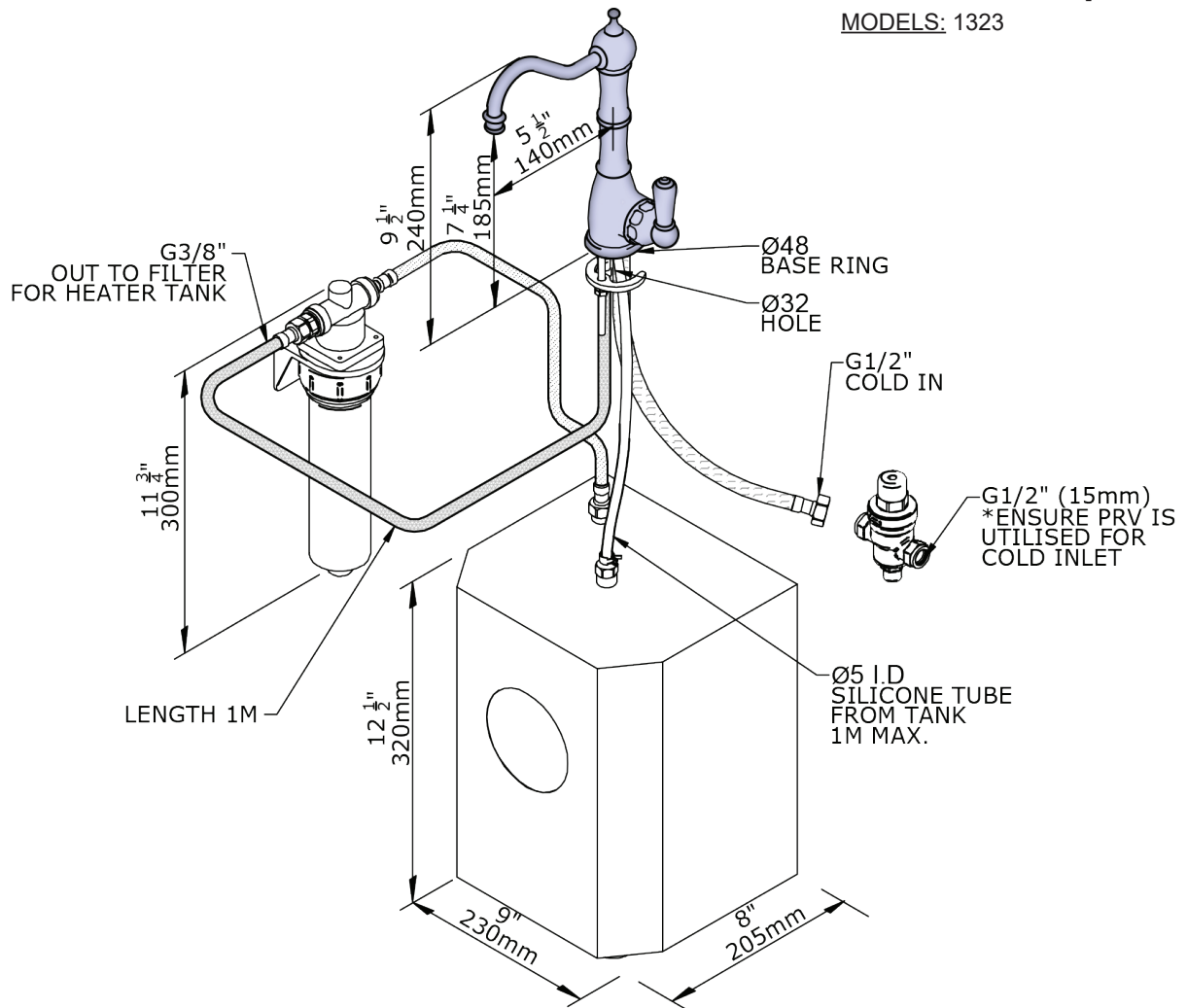
WARRANTY

- www.perrinandrowe.co.uk



Mini Instant Hot Tap

MODELS: 1323



+44 (0) 1708 526 361

www.perrinandrowe.co.uk

A DISTINCTIVE MEMBER OF THE HOUSE OF ROHL