

SPECIFICATIONS

DESCRIPTION

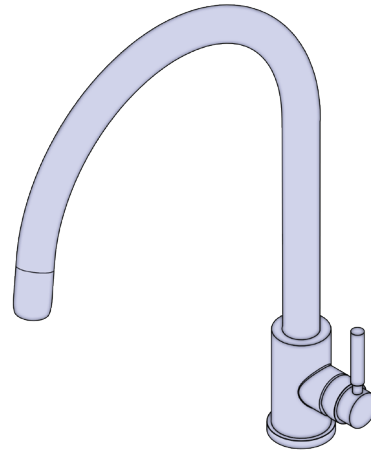
- Flexible connectors for easier installation
- Supplied with 15mm double check valves

FLOW

- Recommended working pressure 0.5 bar/7.5PSI
- Maximum 5 bar/ 75 PSI
- 5L /min at 1 bar
- 12L /min at 3 bar

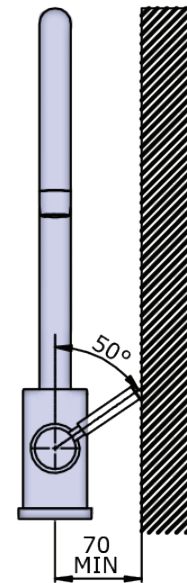
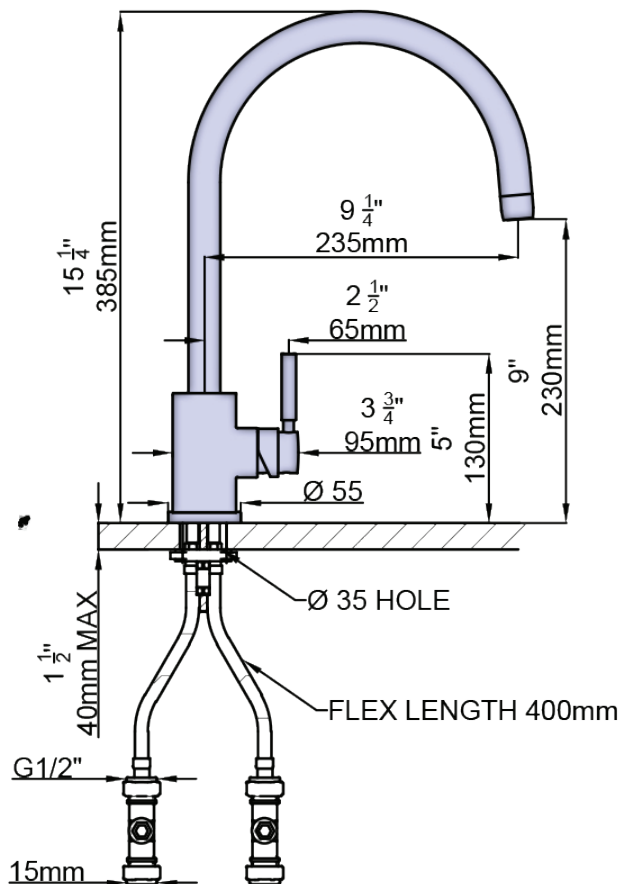
WARRANTY

- www.perrinandrowe.co.uk



Monobloc Sink Mixer

MODELS: 4912



+44 (0) 1708 526 361

www.perrinandrowe.co.uk

A DISTINCTIVE MEMBER OF THE HOUSE OF ROHL