

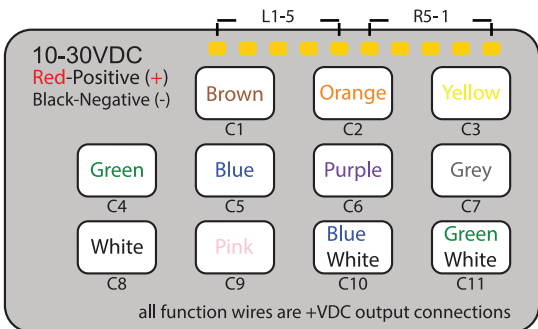
# Installation Manual:

## ID-11 Compact positive Trigger Controller

**NOTE: Do not install and/or operate this product unless you have read and understand all the safety information and instructions contained in this manual.**

### IMPORTANT!

This manual provides all the necessary information for your product to be properly and safely installed. Please read all instructions before installation, and make sure you follow them carefully during the installation process. Failure to follow these instructions may result in DAMAGE to the product or vehicle, and/or SERIOUS INJURY to you and your passengers!



<b>L1-5 / R1-5:</b>	Flash Pattern Indicator
<b>C1-C11:</b>	Programmable buttons
<b>C1:</b>	Default set as an ON/OFF switch. You may also hold the button for 5 seconds to disable all functions.   Hold the button for 5 seconds to resume all previous functions.
<b>Wiring:</b>	-Each wire is design to connect to one auxiliary function -Input amps shall remain below 0.2Amps -Please see the diagram on the left for wiring diagram for each button

## Functions and Programming

Default: All buttons are default as ON/OFF Button

Momentary Switch Programming	
	Direction
Programmable Key: C1-C11	<p>Push C1 and C11 together for 5 seconds to enter Momentary Switch programming mode. L1 and R1 will be steady on to indicate you are in programming mode for momentary switch.</p> <p>-Hold the button you desire to program for 3 Seconds to set as Momentary Switch.   The Red LED will flash 3 times to indicate it has been set as momentary bottom.</p> <p>-Hold for another 3 seconds to reverse the setting.   The Red LED will flash once to indicate it has been set as ON/OFF switch.</p> <p>-Push C1 and C11 together for 5 seconds to exit programming mode.</p>

Express Key Programming	
	Direction
Programmable Key: C1-C10	<p>Push C1 and C10 for 5 seconds to enter Express Key Programming Mode for C11. L3 and R3 will be steady on to indicate you are now in programming mode for C11 express key.</p> <p>-C11 Express key is design to quickly activate a set of functionality together at once.</p> <p>-Once enter Express Key Programming Mode, press on the buttons that you wish to activate together.   The Red LED will light up to indicate the button has been selected.</p> <p>-Push C1 and C10 again for 5 seconds to exit the programming mode.</p> <p>-By pressing C11, all the buttons you have previously set will now activate together.</p>

Interlock Function Programming	
	Direction
Programmable Key: C10	Push C1 and C9 together for 5 seconds to enter interlock programming mode for C9-C10. L4 and R4 will be steady on to indicate you are now in programming mode for C9 and C10. -Hold C10 for 5 second to activate interlock function. Now C10 will be disabled when C9 is activated.  The C10 Red LED will flash 3 times to indicate it has been set, flash 1 time to disable to setting. -Push C1 and C9 for 5 seconds to exit interlock programming mode.

Warning / Traffic light flash pattern indicator: Only Available with ON/OFF Function	
	Direction
Programmable Keys: C5-C8	Press C5 and C8 together for 5 seconds to enter warning/arrow light display programming mode for C5-C8. L2 and R2 will be steady on to indicate you are now in programming mode for C5-C8. -By pressing the button, the LED R1 to R5 will indicate which light indicator function has been selected
R1	The LED indicator is set to display Warning Light All Flash
R2	The LED indicator is set to display Middle to Outward
R3	The LED indicator is set to display Arrow Left to Right
R4	The LED indicator is set to display Arrow Right to Left
R5	The LED indicator function has been disabled
	Press C5 and C8 together for 5 seconds to exit programming mode for C5-C8

Reset to Default
Press C1 and C8 together for 10 second to reverse the device back to default

## Installation

Attach and secure the controller onto the panel stand. Place the device onto a clean desired surface, where it can be easily accessible to the user. Use the attached adhesive pad\* to secure the device onto the surface. Should you wish to remove / re-locate the controller, you may use alcohol or similar cleaning formula to remove the left-over adhesive residue.

\* The supplied adhesive pad is designed for one time use. You may replace it with other double side adhesive tapes.

**Manufacturer Limited Warranty Policy:** Manufacturer warrants that on the date of purchase this product. This Limited Warranty extends for Thirty Six (36) months from the date of purchase.

DAMAGE TO PARTS OR PRODUCTS RESULTING FROM TAMPERING, ACCIDENT, ABUSE, MISUSE, NEGLIGENCE, UNAPPROVED MODIFICATIONS, FIRE OR OTHER HAZARD; IMPROPER INSTALLATION OR OPERATION; OR NOT BEING MAINTAINED IN ACCORDANCE WITH THE MAINTENANCE PROCEDURES SET FORTH IN MANUFACTURER'S INSTALLATION AND OPERATING INSTRUCTIONS VOIDS THIS LIMITED WARRANTY.