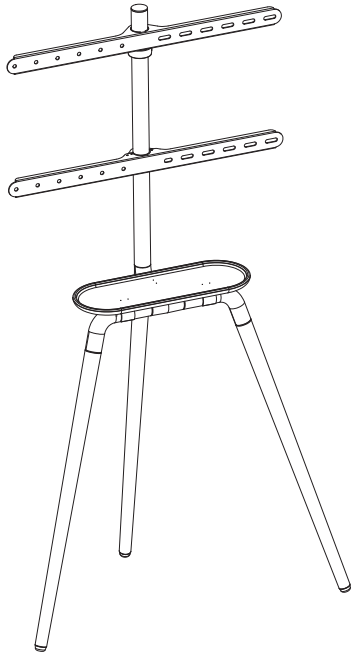


XTRARM

XTRARM tripod Ayta wood / black with felt tray



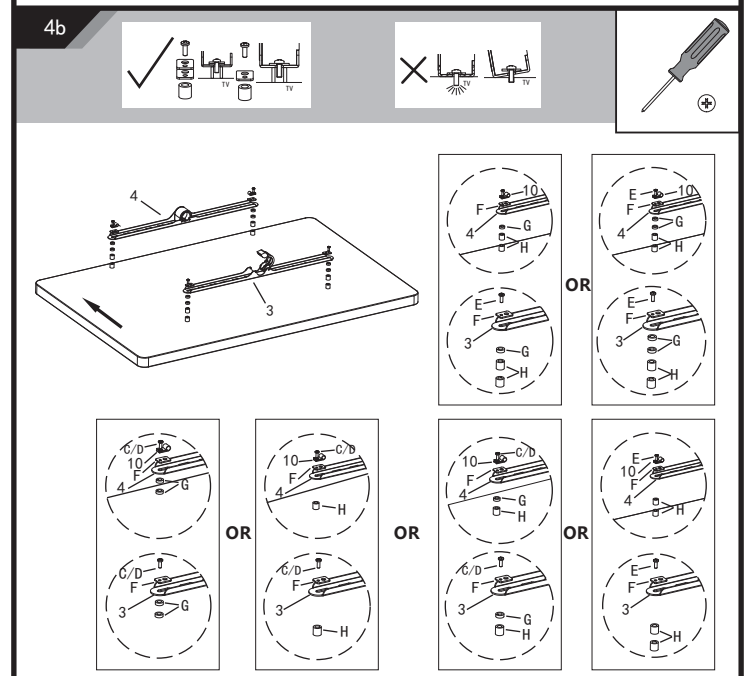
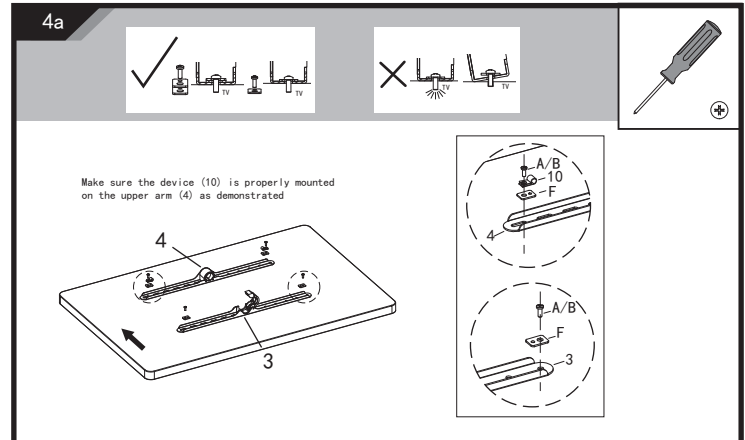
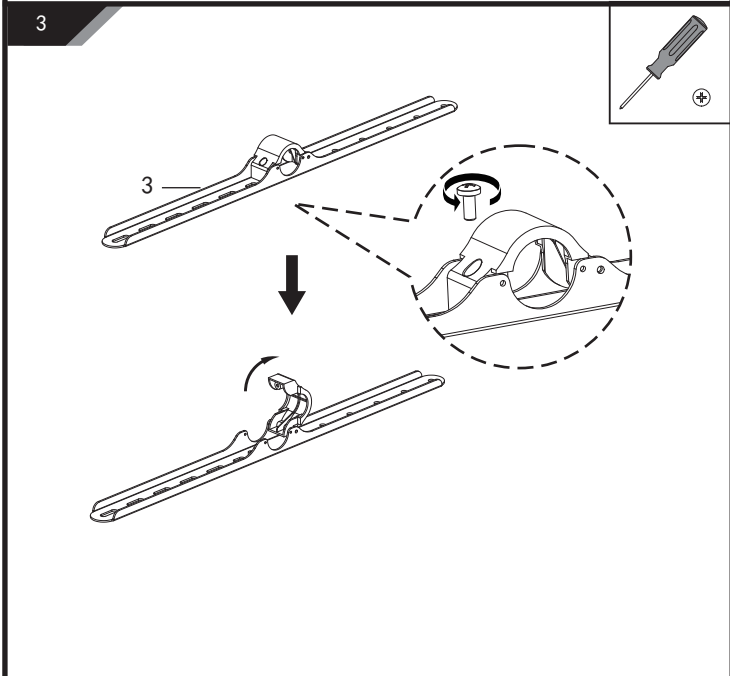
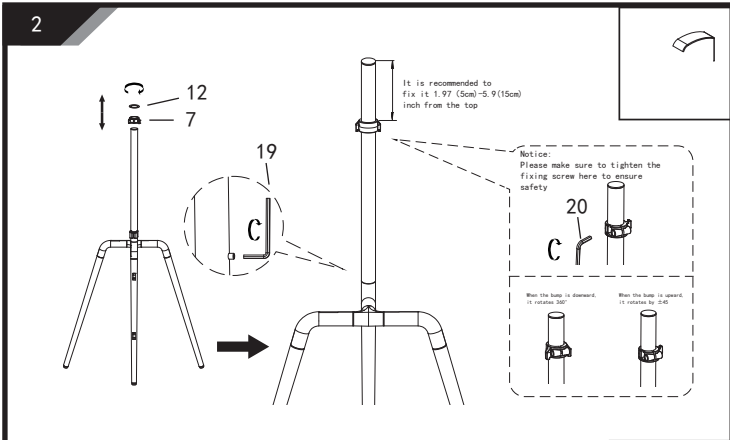
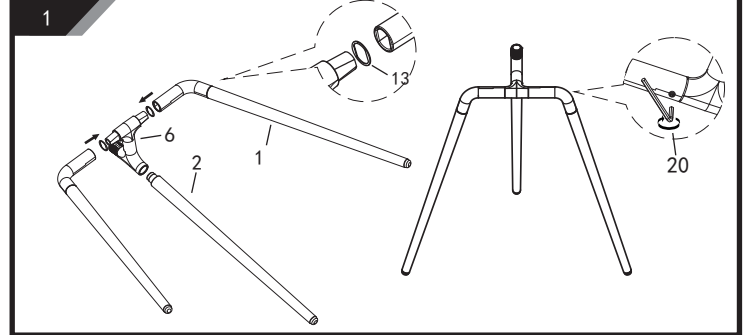
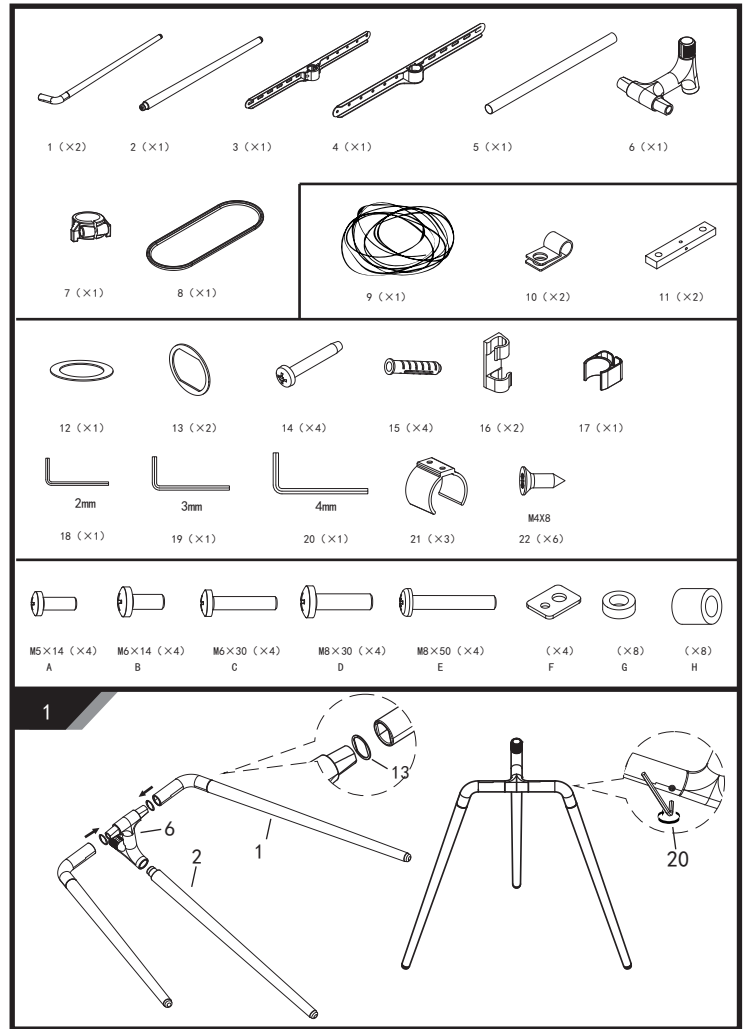
XTR-FS2060

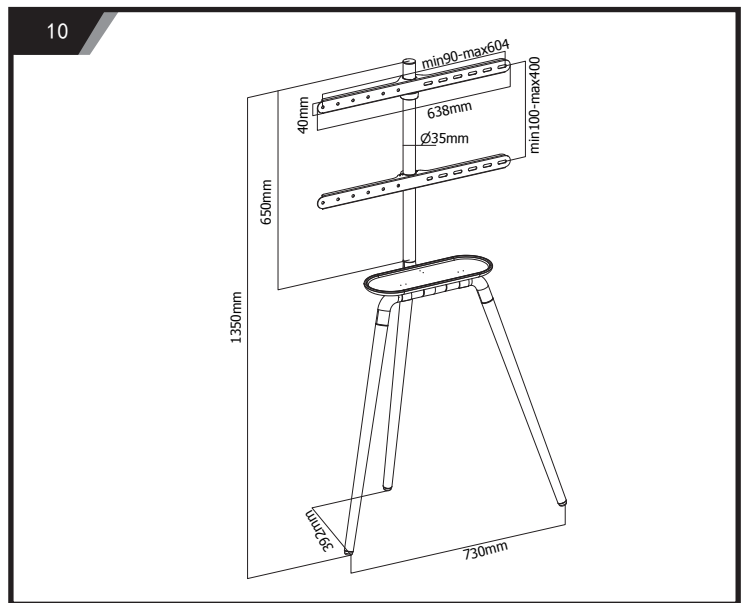
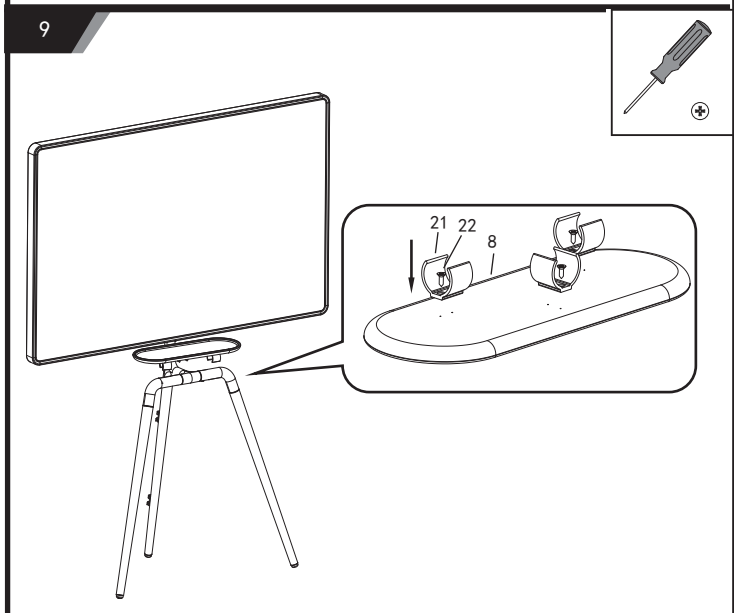
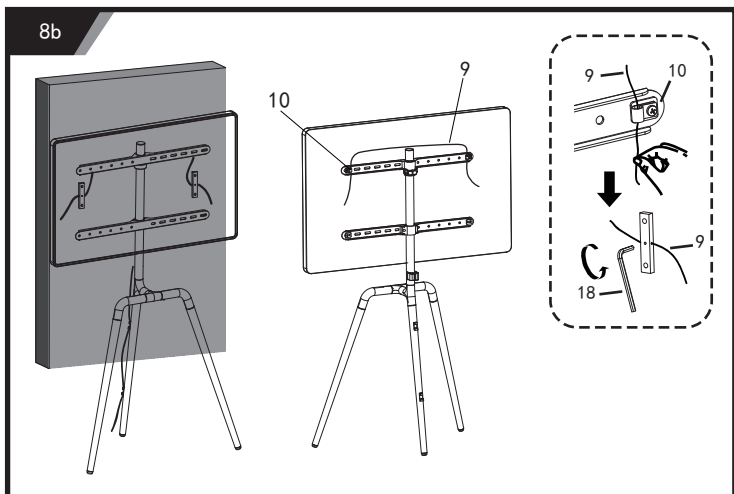
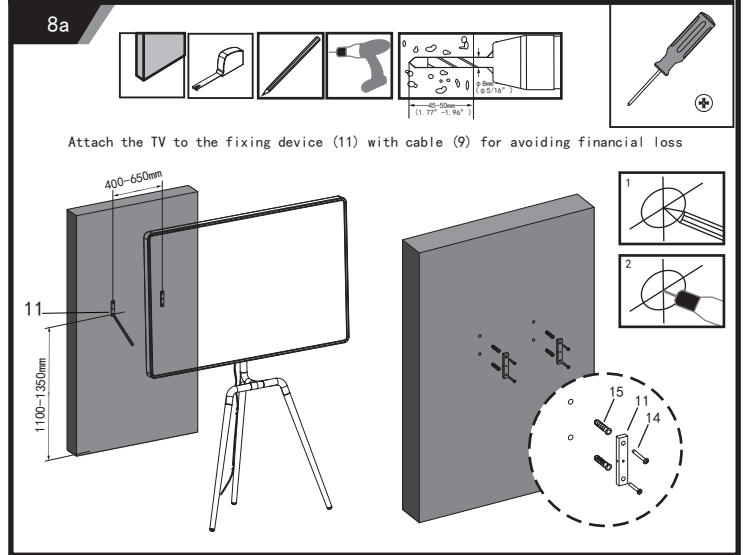
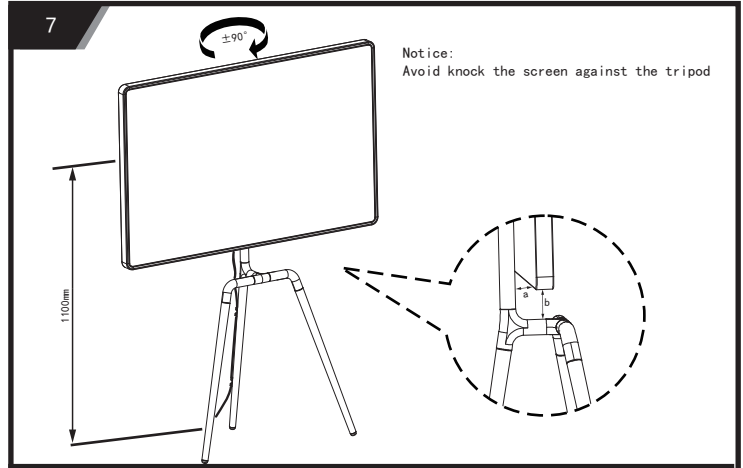
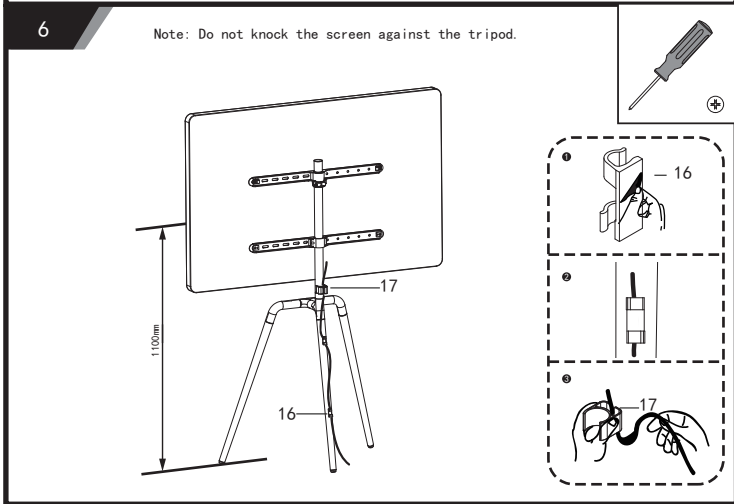
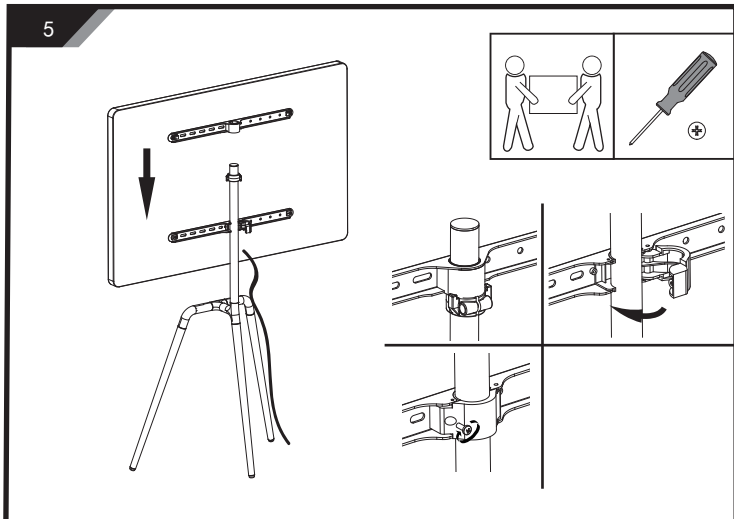
VESA

200 × 200 / 300 × 200
300 × 300 / 400 × 200
400 × 300 / 400 × 400
600 × 400

32" — 65"
TV Size

Load
≤ 40KG





Read the entire instruction manual before you start installation and assembly.
If you have any questions regarding any of the instructions or warnings,
Please contact us for assistance: putorsen_service@outlook.com

- CAUTION:**
- Use with products heavier than the rated weights indicated may result in instability causing possible injury.
 - 1. Mounts must be attached as specified in assembly instructions. Improper installation may result in damage or serious personal injury.
 - 2. Safety gear and proper tools must be used.
 - 3. Make sure that the supporting surface will safely support the combined weight of the equipment and all attached hardware and components.
 - 4. Use the mounting screws provided and DO NOT OVER TIGHTEN mounting screws.
 - 5. This product contains small items that could be a choking hazard if swallowed. Keep these items away from children.
 - 6. This product is intended for indoor use only. Using this product outdoors could lead to product failure and personal injury.
- IMPORTANT:**
Ensure that you have received all parts according to the component checklist prior to installation. If any parts are missing or faulty, please contact us for a replacement.
- MAINTENANCE:**
Check that the bracket is secure and safe to use at regular intervals (at least every three months)