

100*200 300*300
200*200 200*100
300*200 400*200
400*400

65 inch
MAX

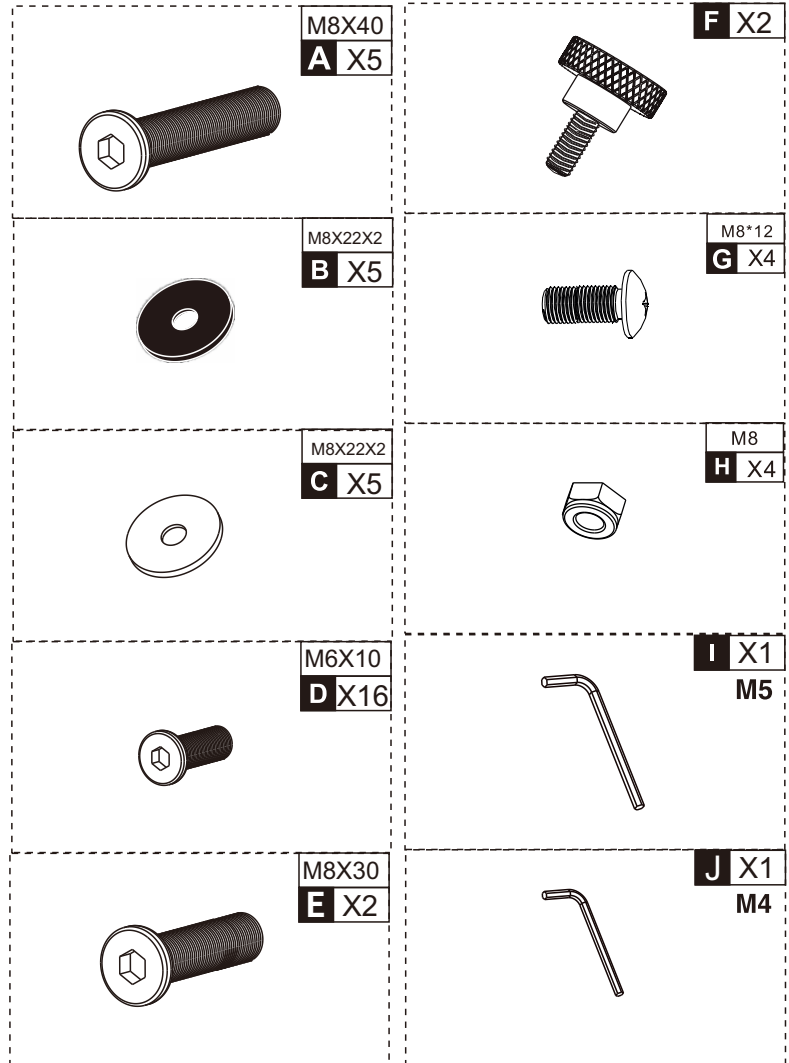
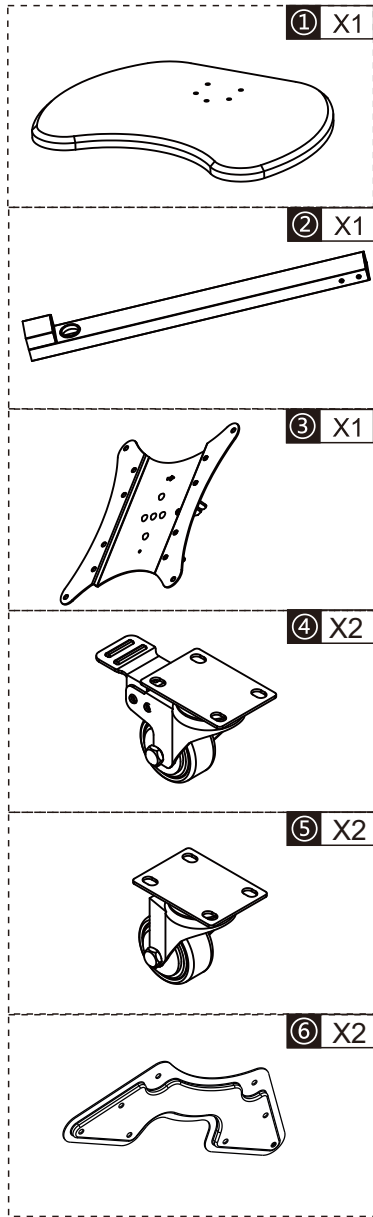
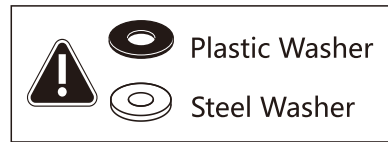
45kilo
(99lbs)
MAX



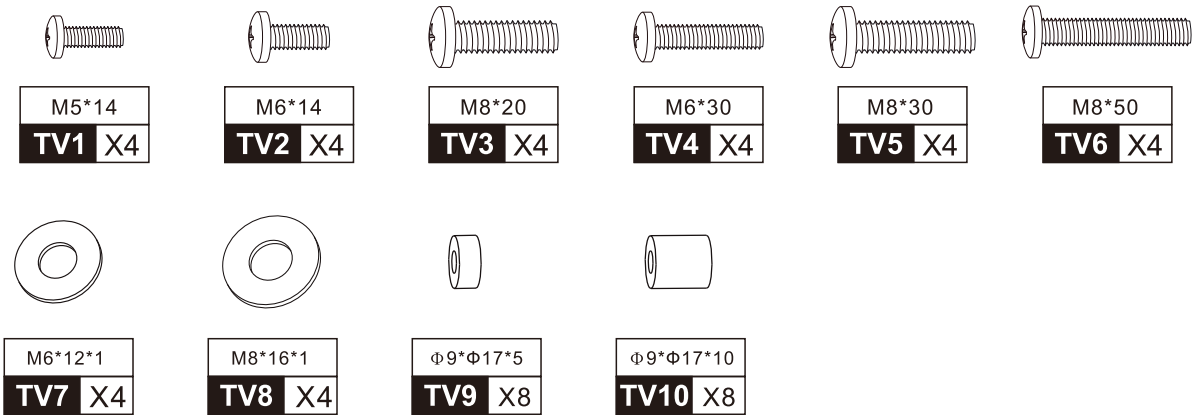
CAUTION: DO NOT EXCEED
RATED LISTED WEIGHT. SERIOUS
INJURY OR PROPERTY DAMAGE
MAY OCCUR!

XTR-FS4050
XTR-FS4060

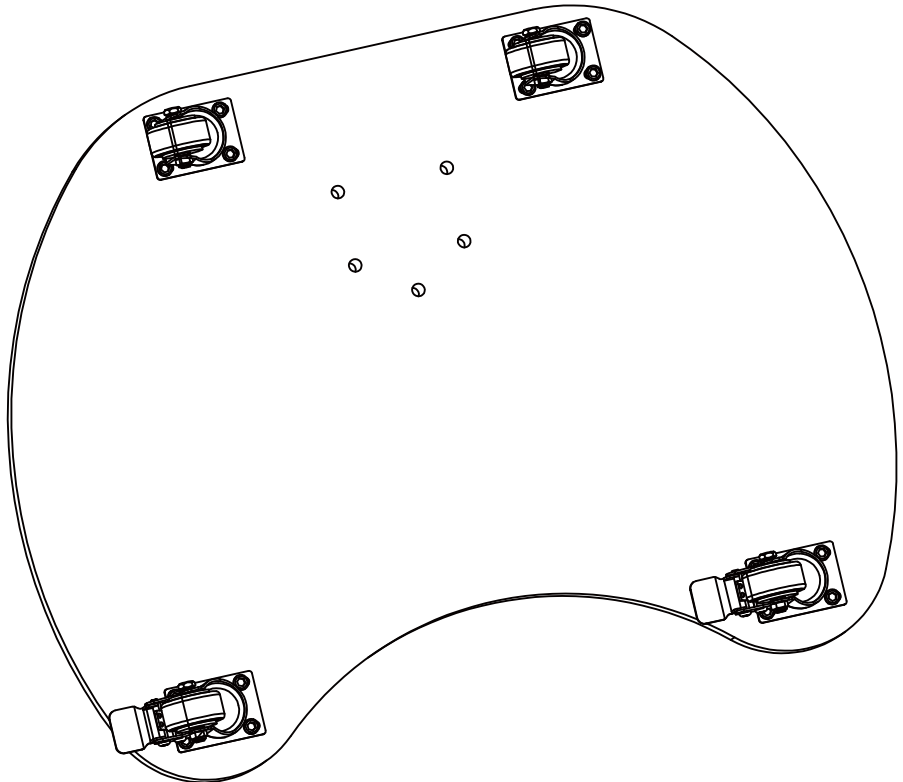
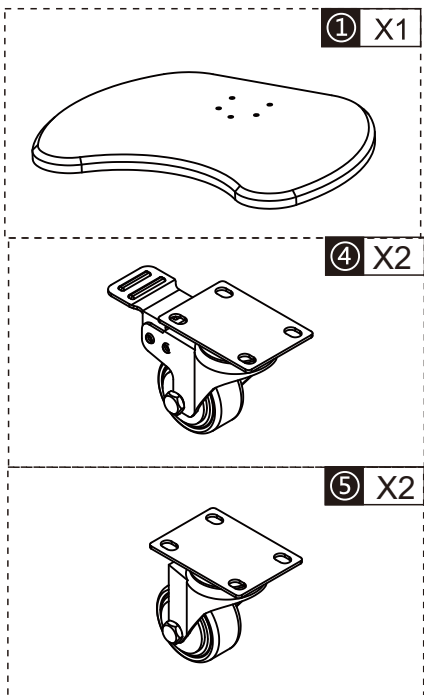
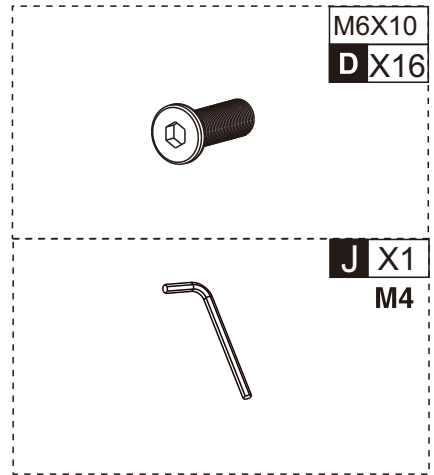
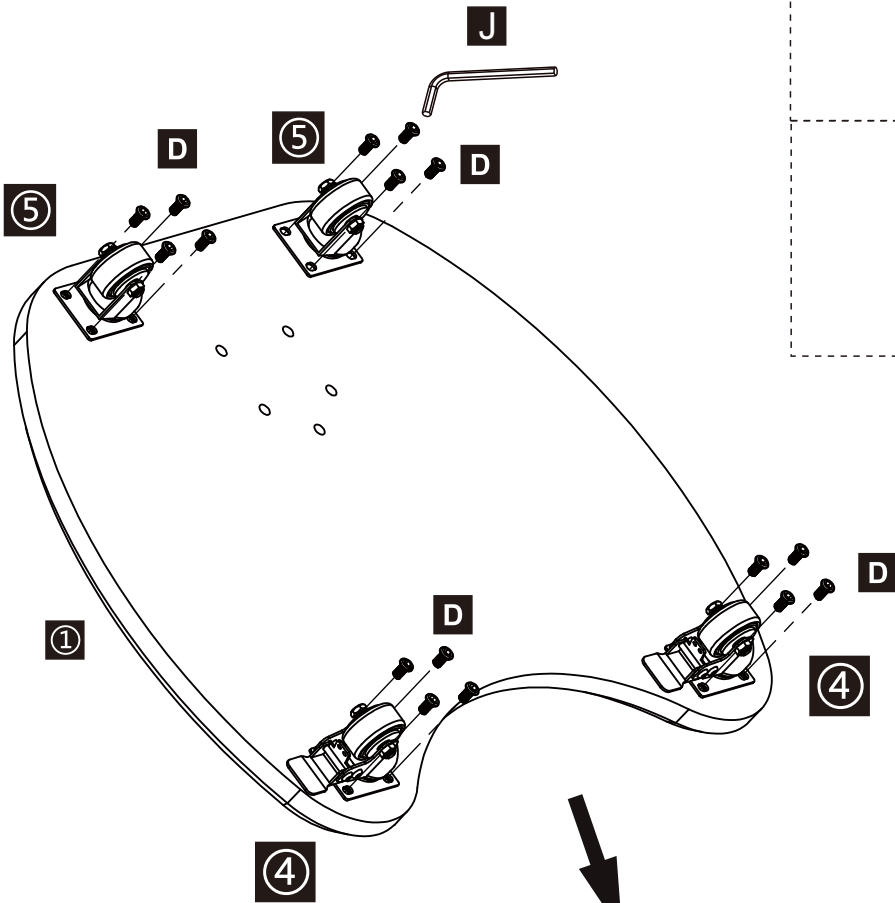
PART LIST



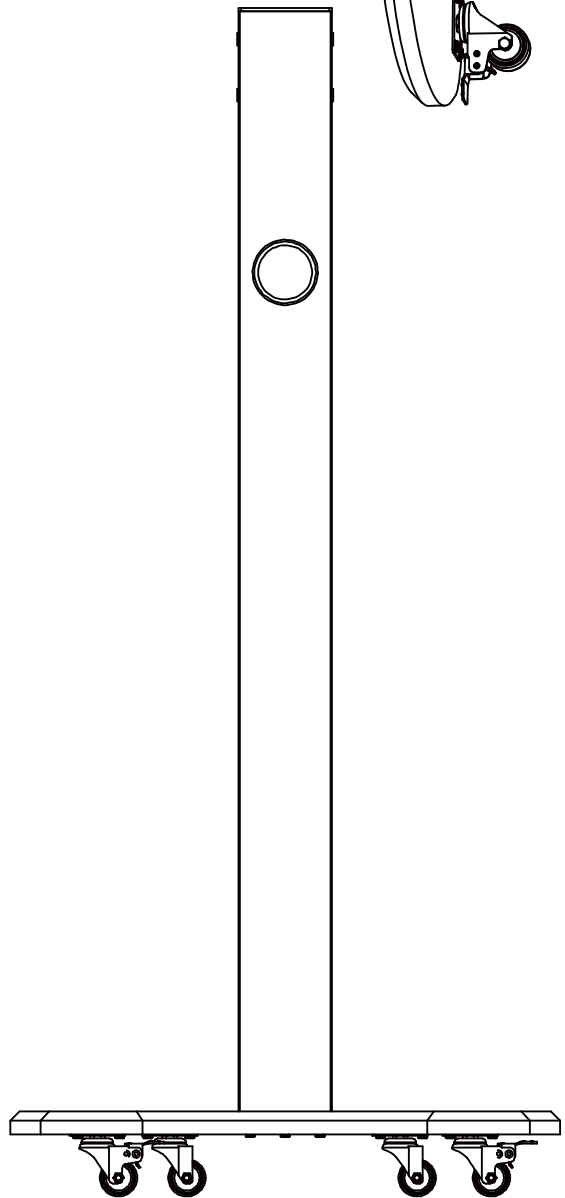
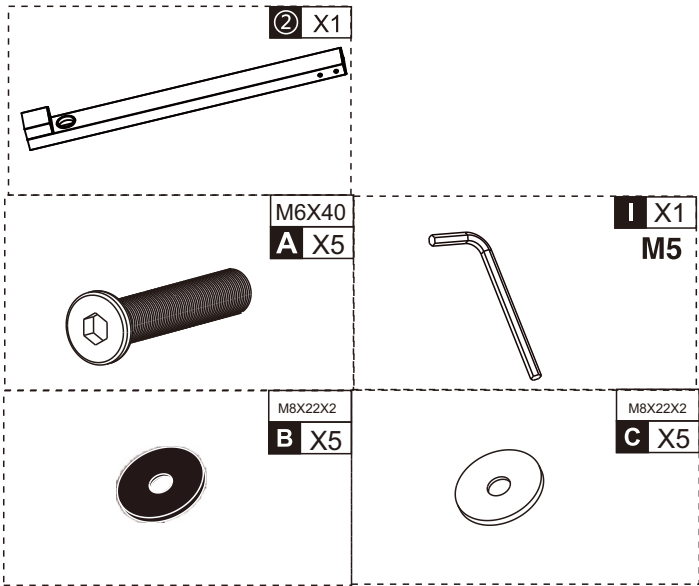
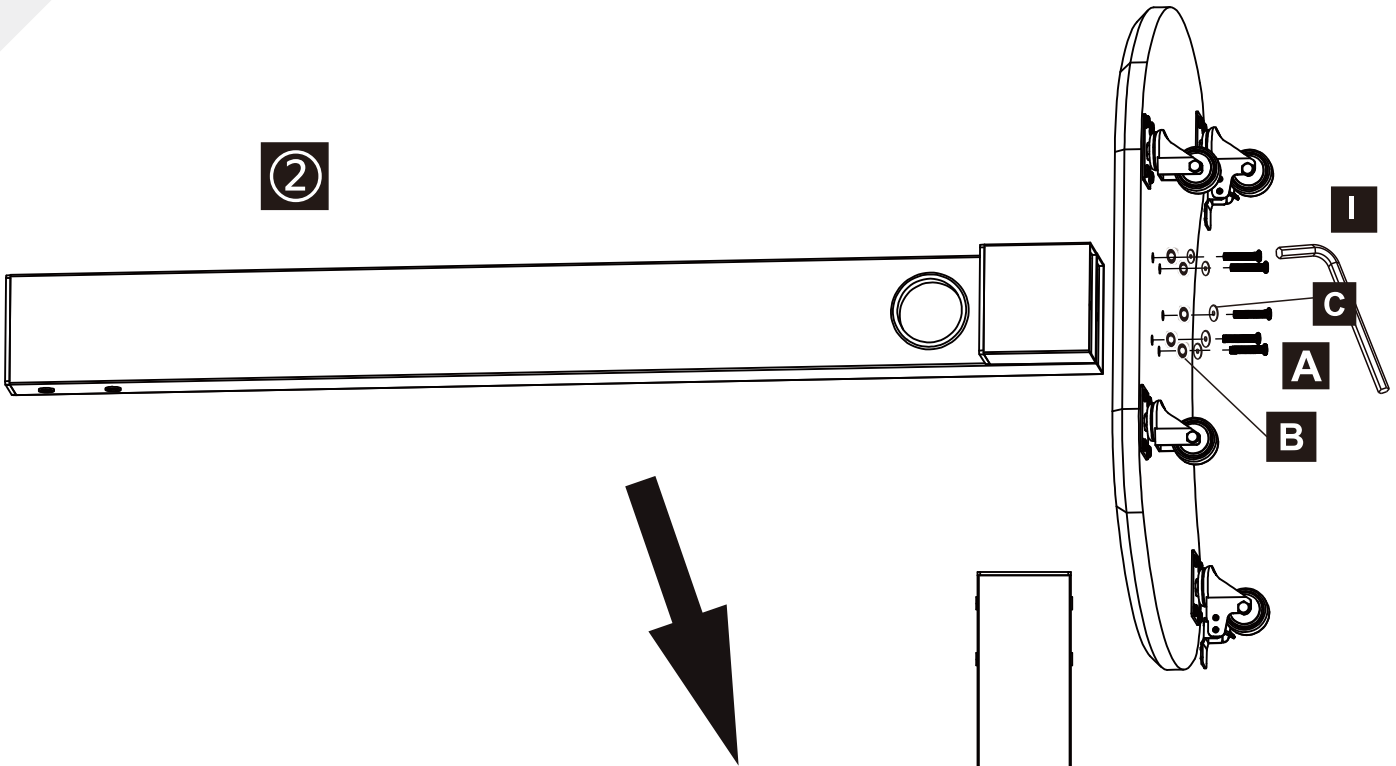
FOR TV INSTALLATION



3

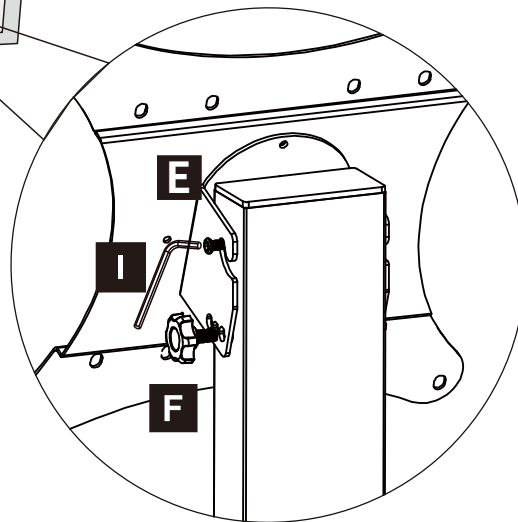
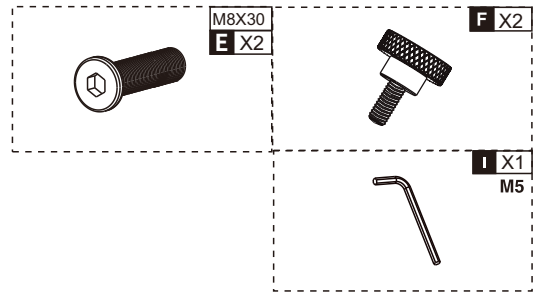
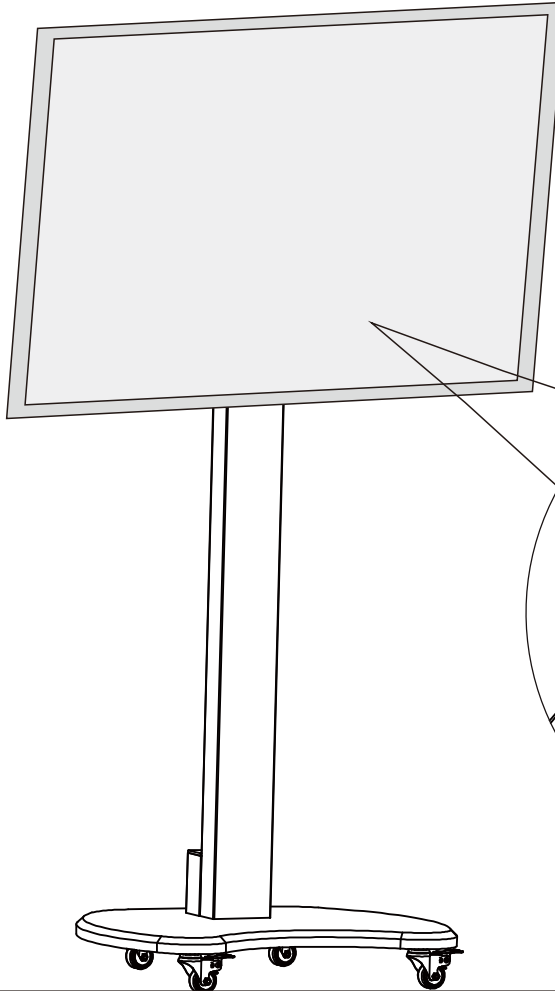
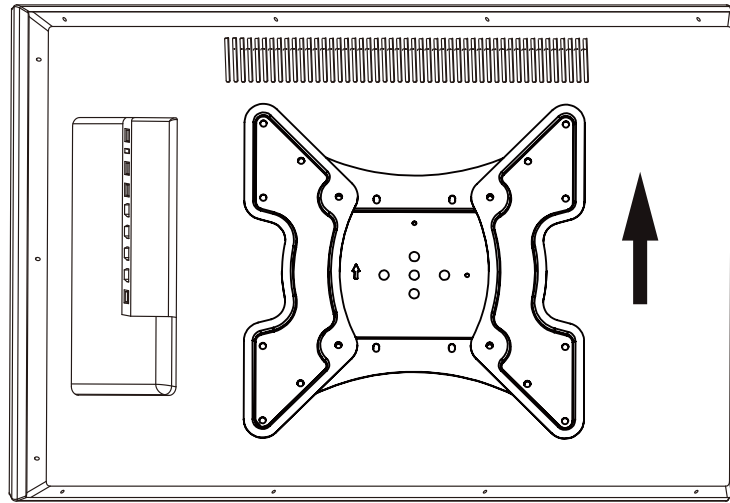
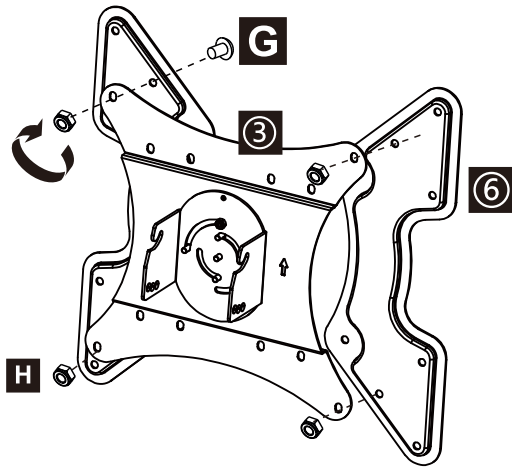
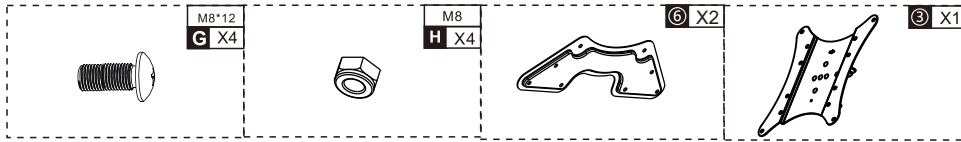


4

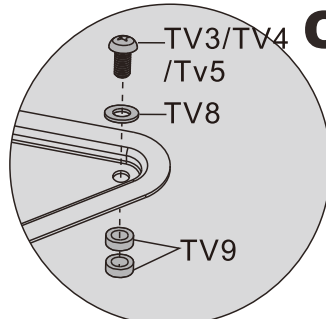
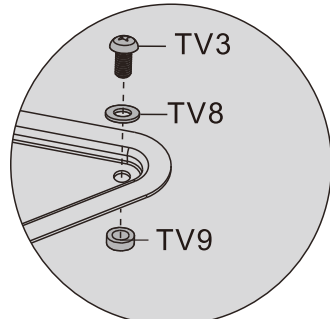
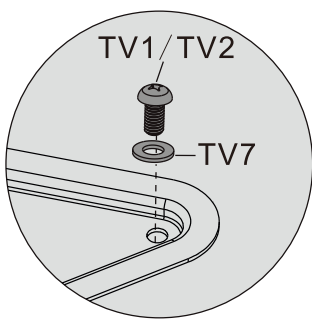
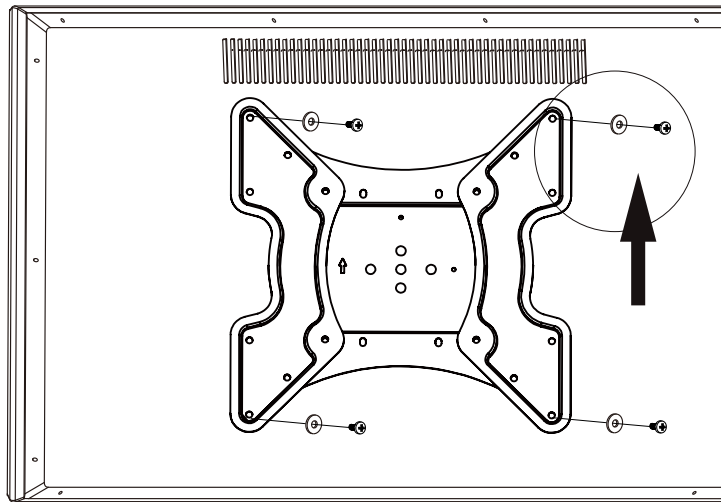


5

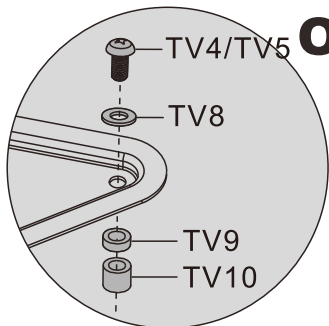
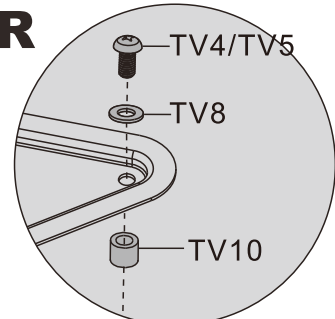
NOT INCLUDED



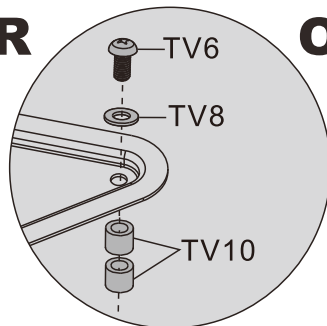
6



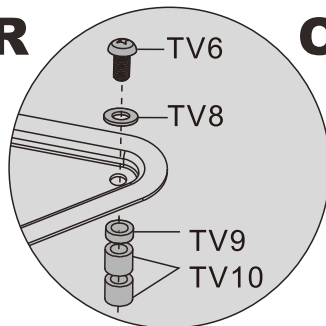
OR



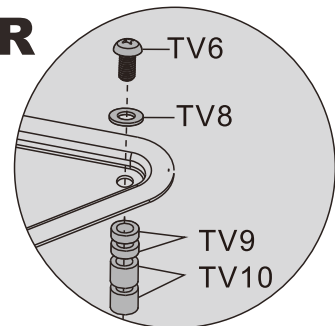
OR



OR



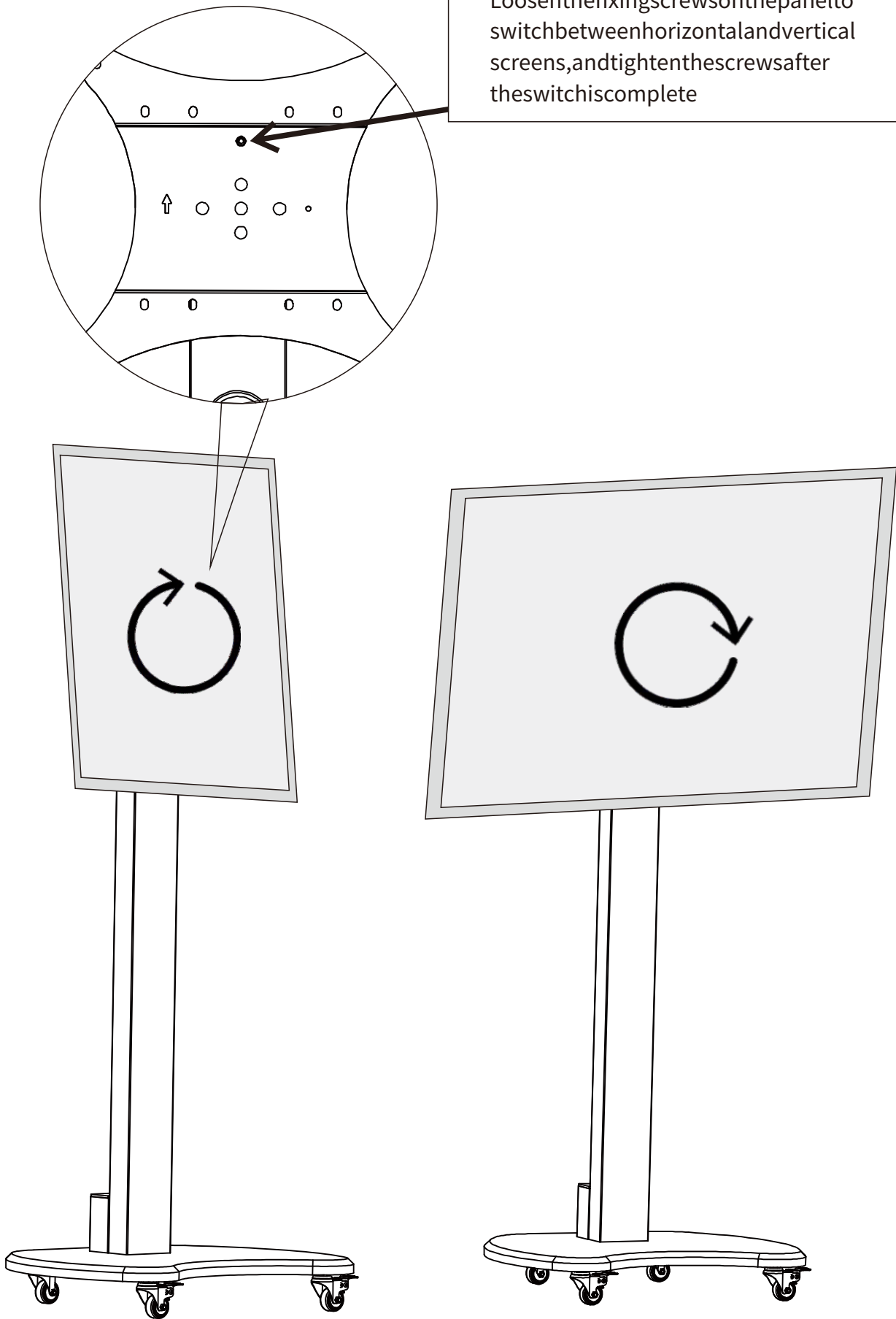
OR



To install the TV, align the panel with the hole position of the TV, add gaskets and screws according to the needs of different TVs, and then lock the screws with installation tools

7

Loosen the fixings screws on the panel to switch between horizontal and vertical screens, and tighten the screws after the switch is complete



Put the TV cable from the front of the column through the back out

