



75x75 100x100
100x200 400x200
200x100 300x400
200x200 400x300
200x300 400x400
300x200 600x400
300x300



CAUTION: DO NOT EXCEED
RATED LISTED WEIGHT. SERIOUS
INJURY OR PROPERTY DAMAGE
MAY OCCUR!

XTR-FS4000
XTR-FS4010
XTR-FS4020

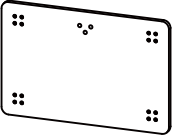
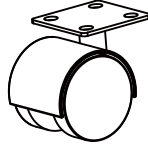
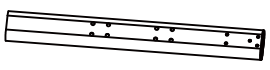
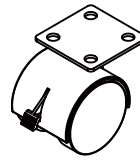
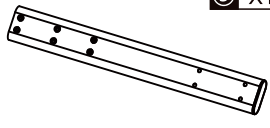
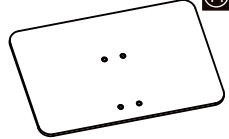

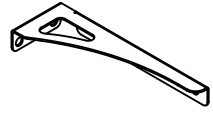

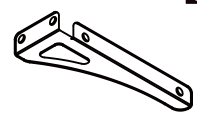
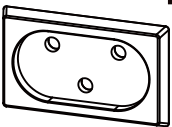
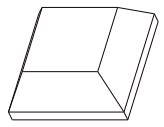
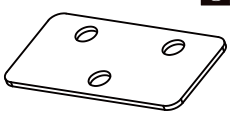
PART LIST

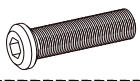
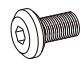
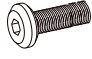




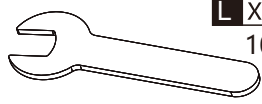

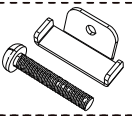

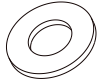
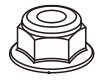



Plastic Washer



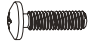
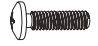





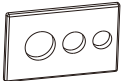


Steel Washer

	① X1		⑧ X2
	② X1		⑨ X2
	③ X1		⑪ X1
	④ X1		⑫ X1
	⑤ X2		⑬ X1
	⑥ X1		⑭ X6
	⑦ X1		

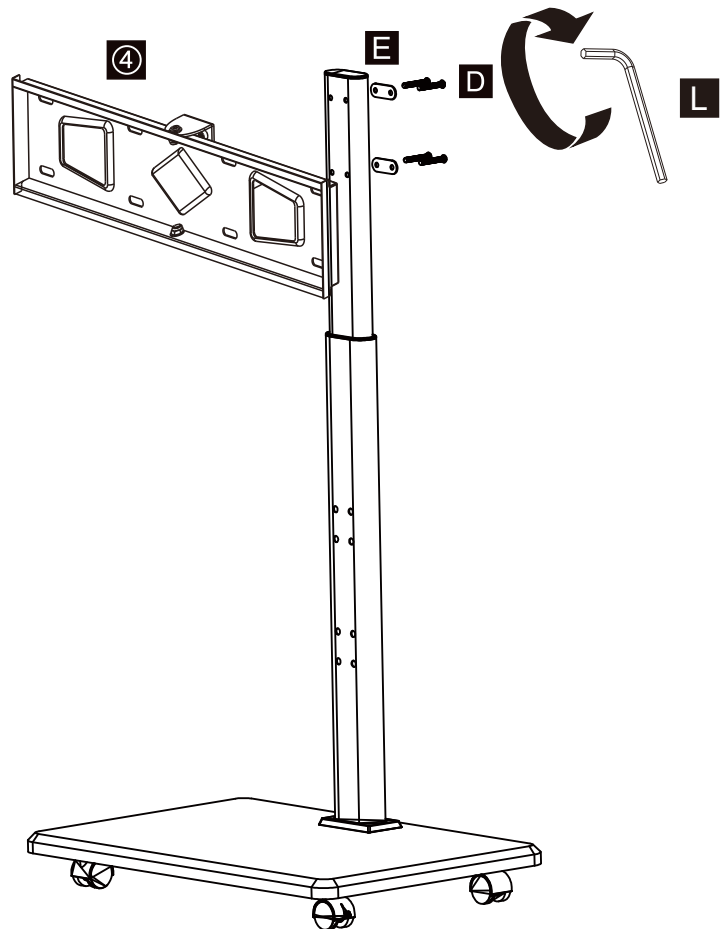
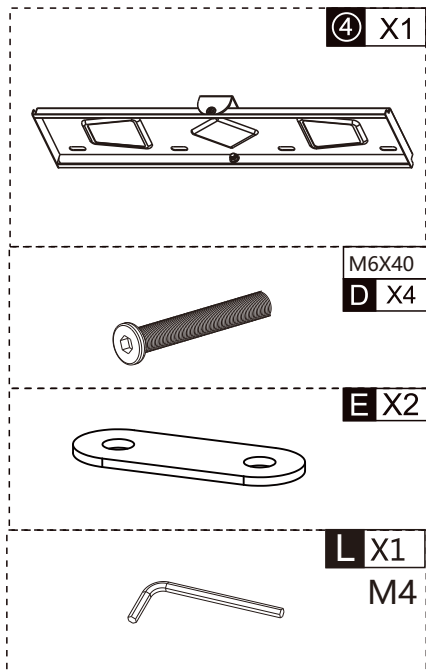
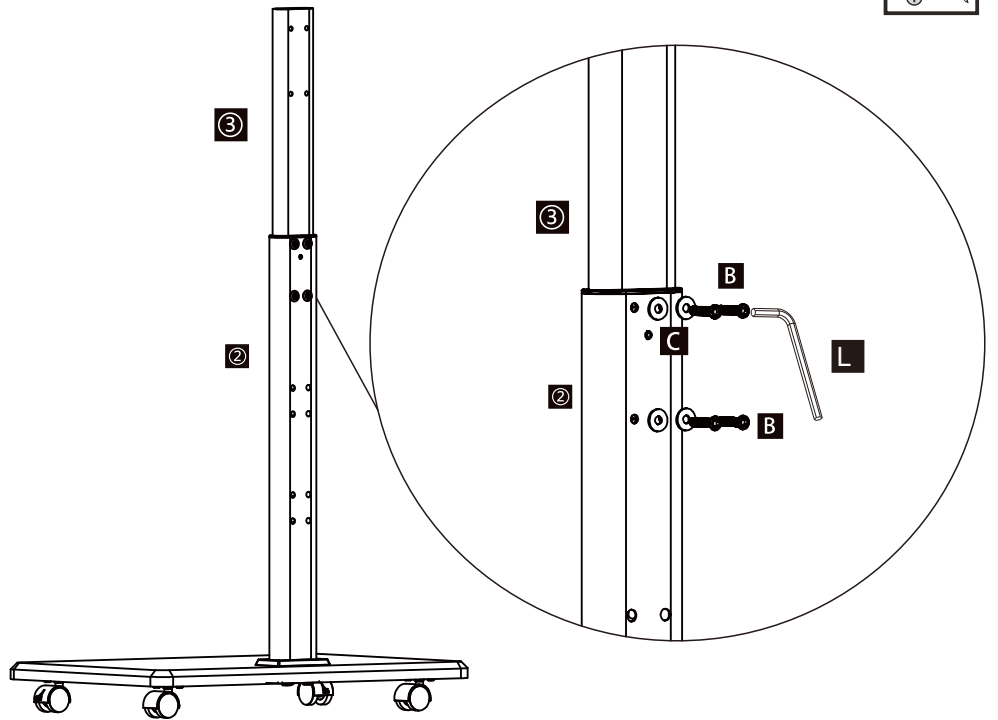
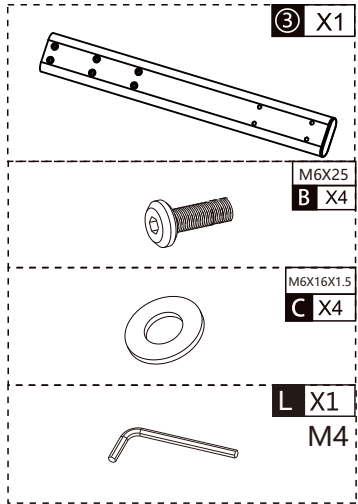
	M6X45 A X3		M6X10 J X20
	M6X25 B X4		K X2
	M6X16X1.5 C X4		L X1 M4
	M6X40 D X4		L X1 10
	E X2		
	F X2		
	M6X50 G X4		
	M6x16x1 H X4		
	M6 I X4		

FOR TV INSTALLATION

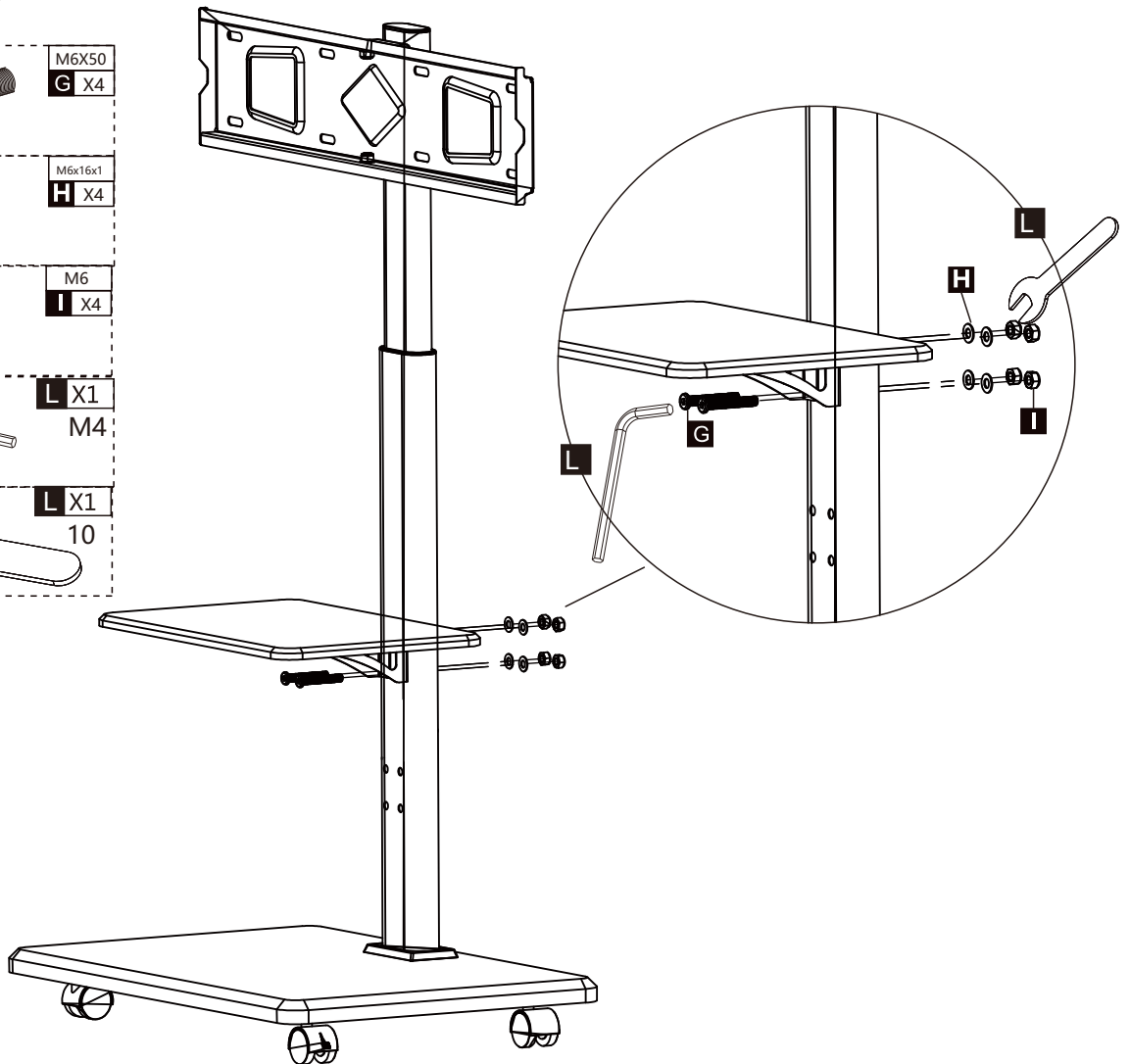
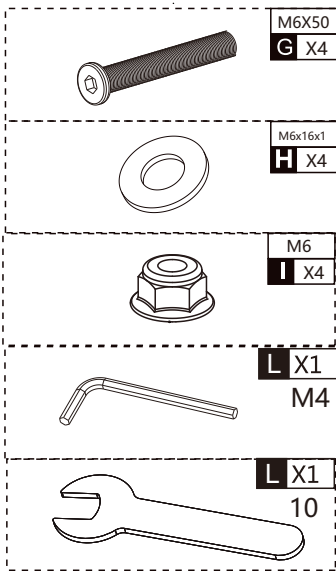
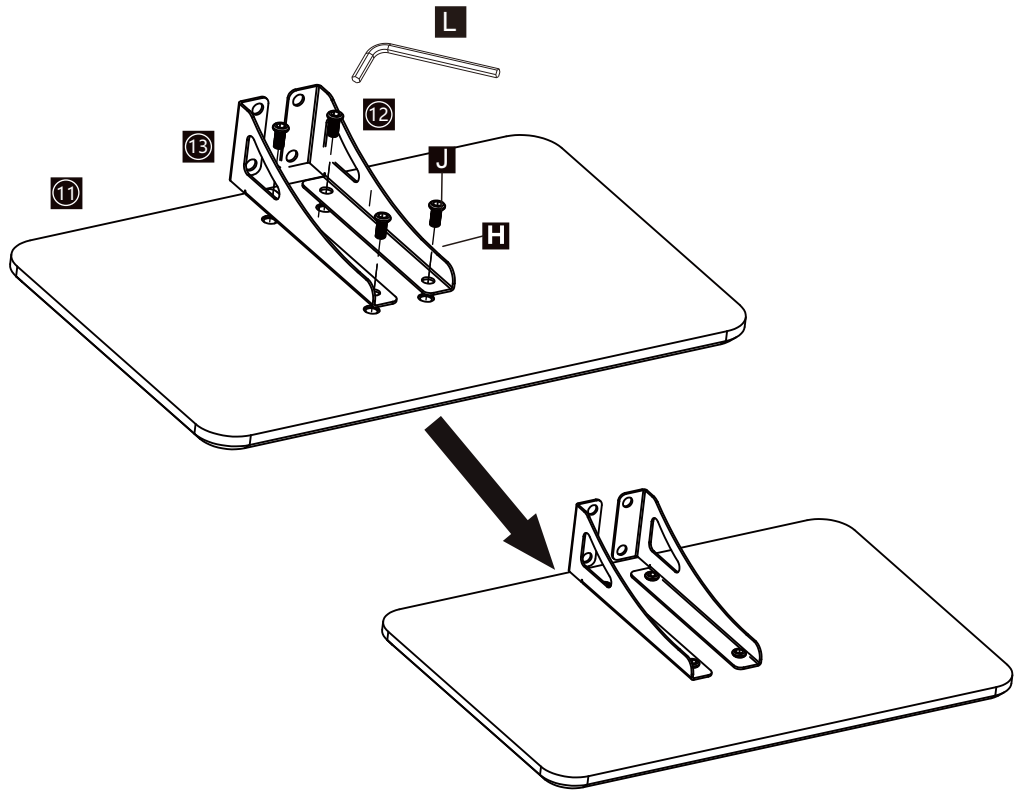
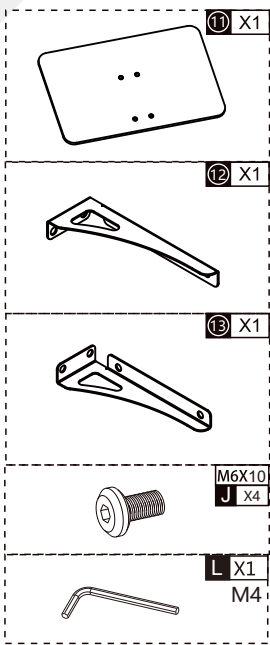
				
M4*30 TV1 X4	M6*16 TV2 X4	M6*35 TV3 X4	M8x16 TV4 X4	M8x35 TV5 X4
				
M8x50 TV6 X4	SP1 TV7 X8	SP2 TV8 X4	SP3 TV9 X4	Spacer with 3 holes TV10 X4

4

NOT INCLUDED

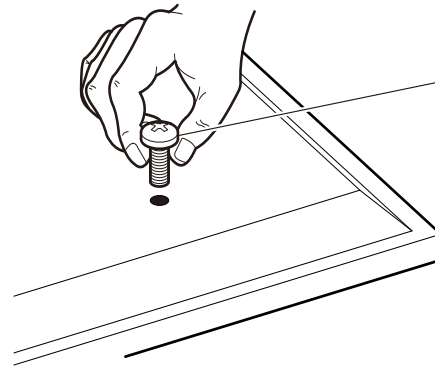
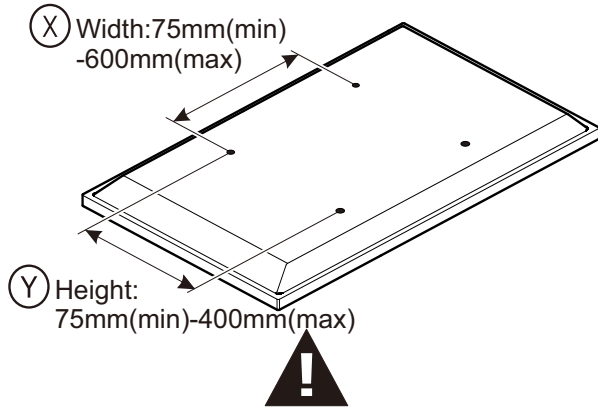


5



6

Measure the TV fixing holes Width and Height



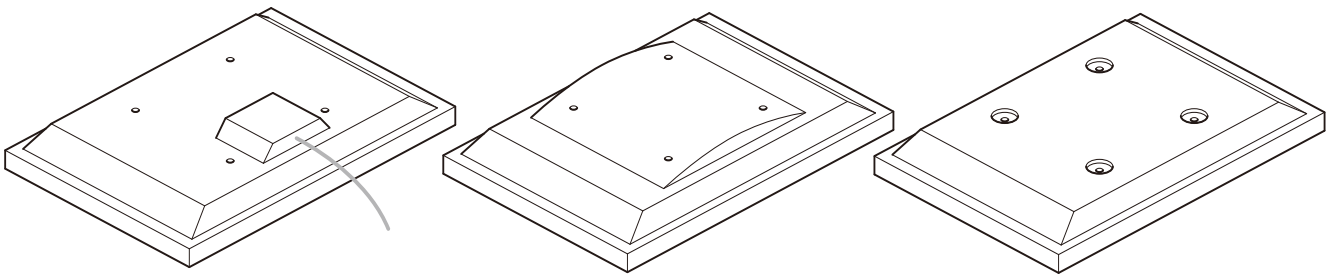
- TV1-TV2
- TV3-TV4
- TV5-TV6

If width ⊗ is greater than 600mm or height ⊙ greater than 400mm STOP installation now and contact the customer help line

You are provided with 3 diameters of TV fixing screws, M4, M6 and M8. Determine the screw diameter that fits

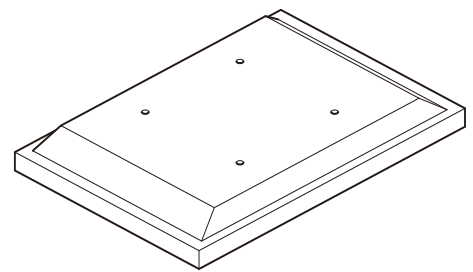
Spacers SP

For TVs with irregular/obstructed back



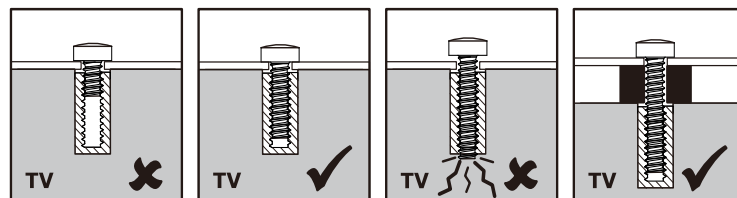
No Spacers

For TVs with flat/unobstructed back



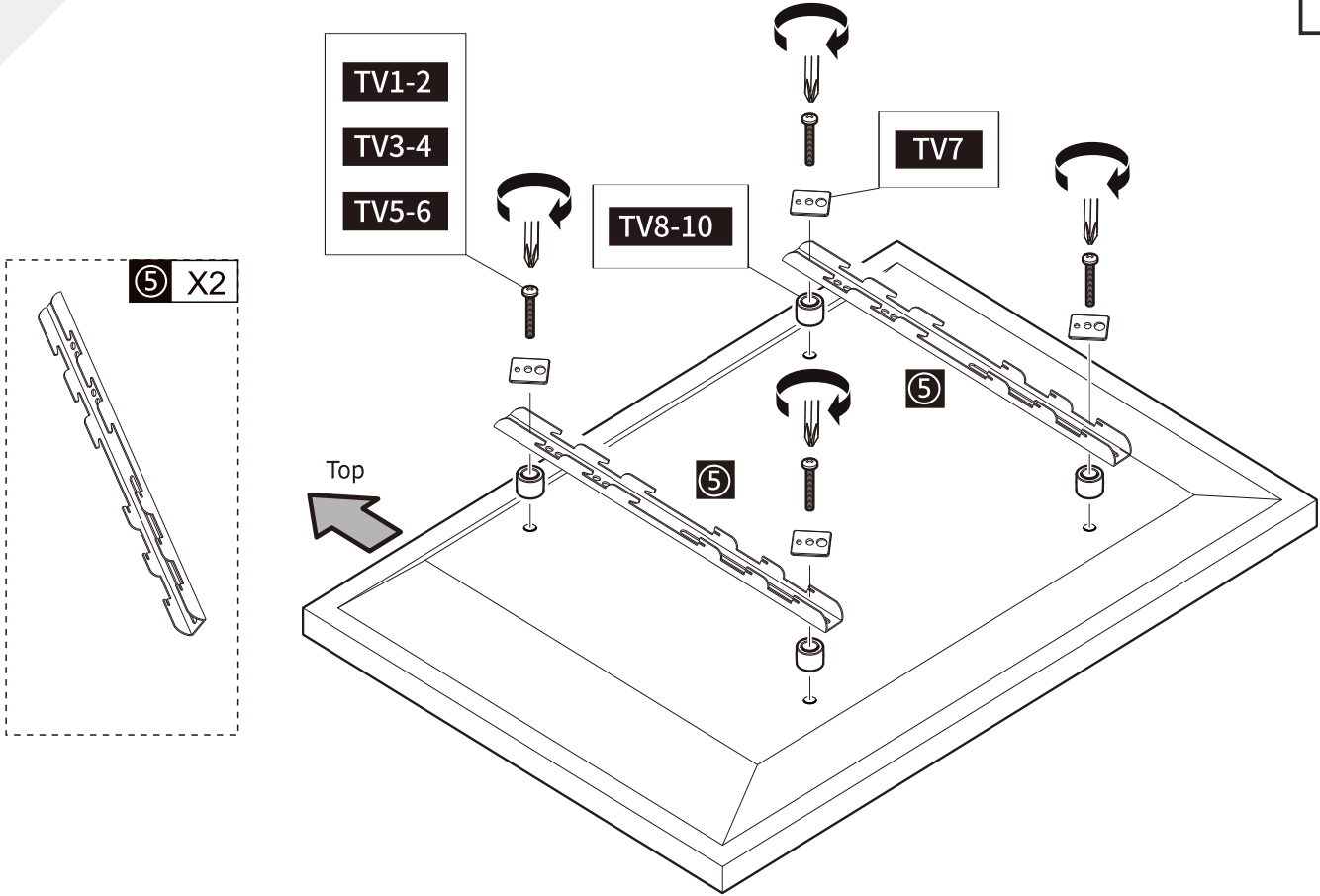
WARNING

Please keep for future reference.



7

NOT INCLUDED



5 X2

Top

M4
TV1-2 X4

M6
TV3-4 X4

M8
TV5-6 X4

reducer with 3 holes
TV7 X4

reducer with 3 holes
TV7 X4

reducer with 3 holes
TV7 X4

SP1 -SP3
TV8-10
spacer X8

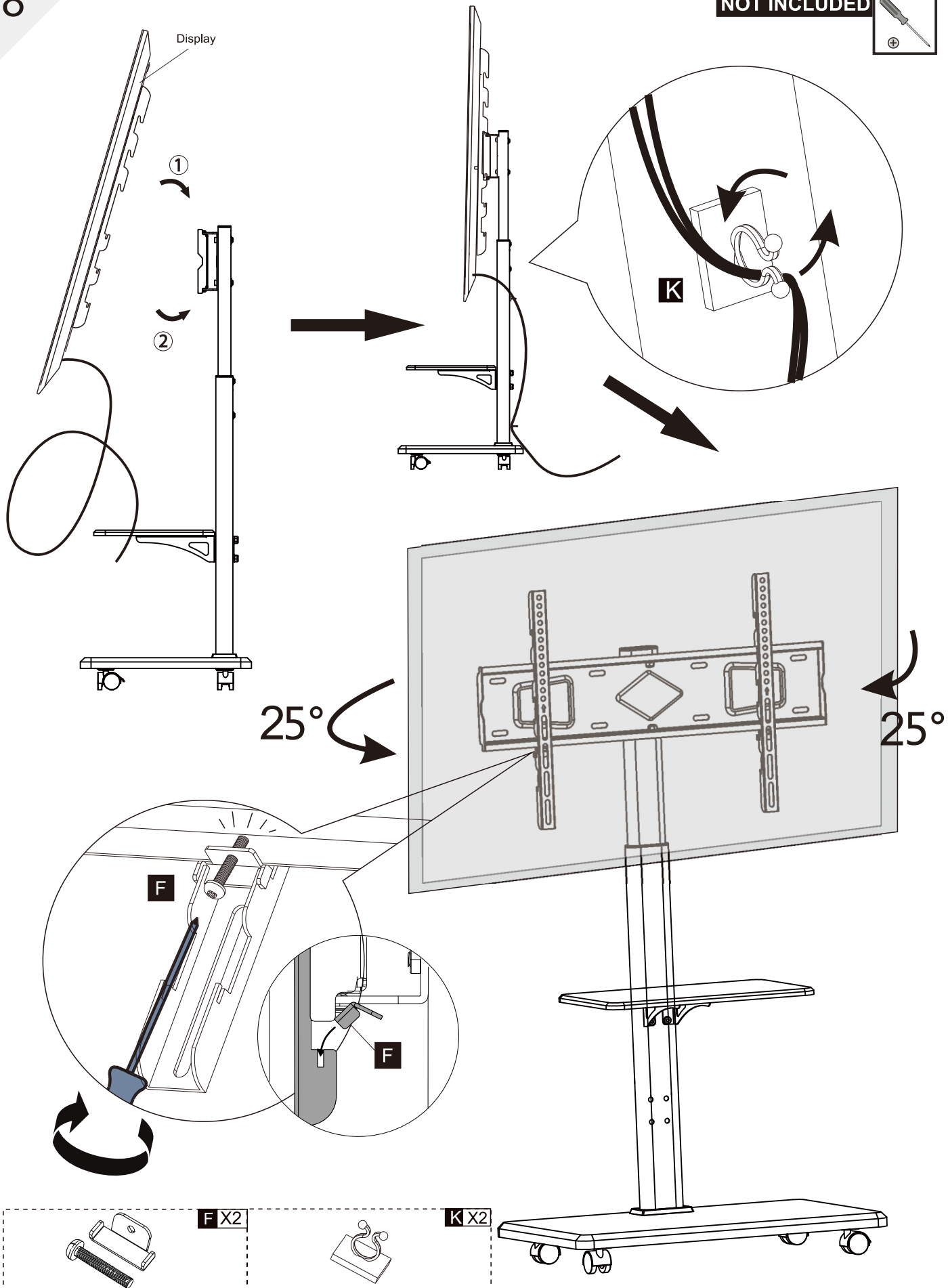
SP1 -SP3
TV8-10
spacer X8

SP1 -SP3
TV8-10
spacer X8

Attach the bracket to the back of your TV using suitable screw, reducer and spacer combinations.

8

NOT INCLUDED



Display

①
②

K

25°

25°

F

F

F X2

K X2

9

