

75x75 100x100
100x200 400x200
200x100 300x400
200x200 400x300
200x300 400x400
300x200 600x400
300x300

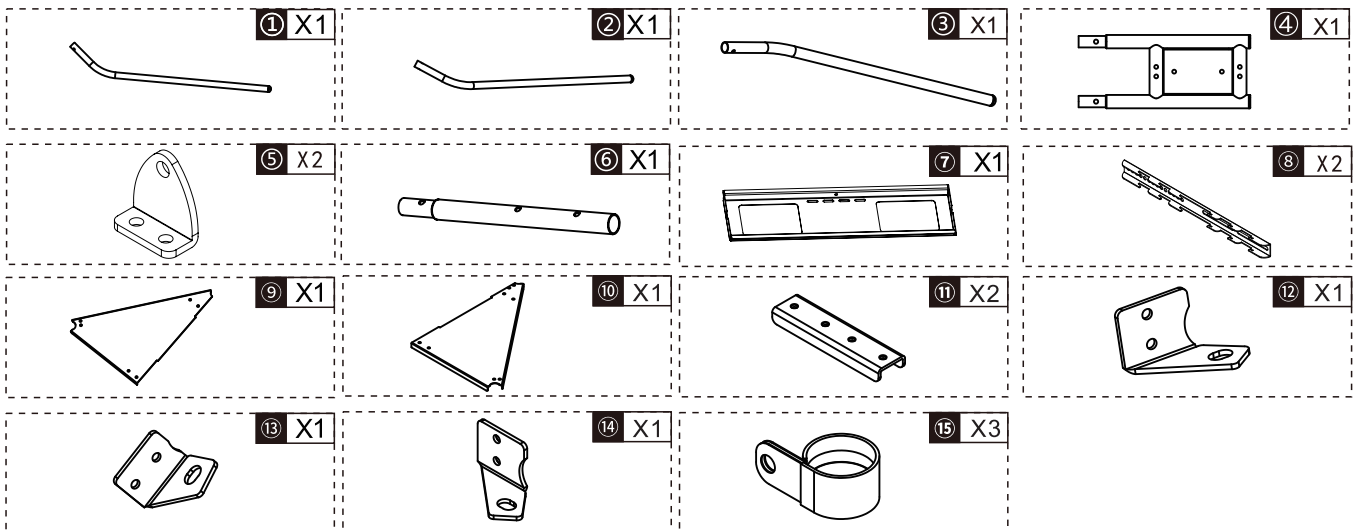


CAUTION: DO NOT EXCEED
RATED LISTED WEIGHT. SERIOUS
INJURY OR PROPERTY DAMAGE
MAY OCCUR!

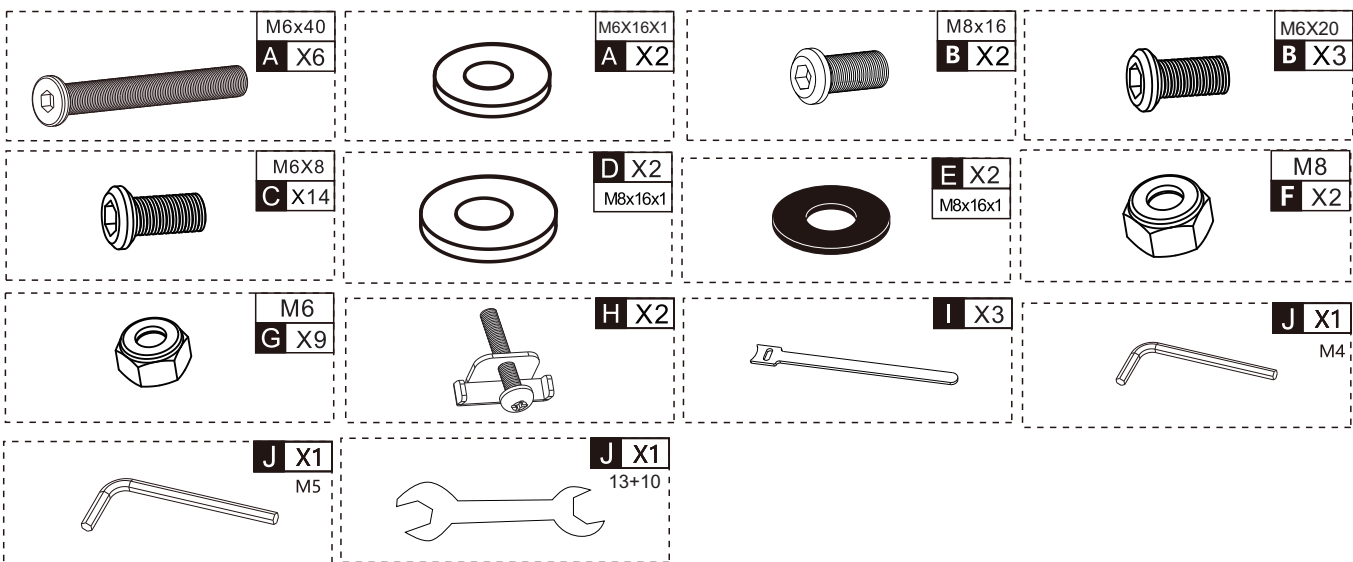
XTR-FS4030
XTR-FS4040



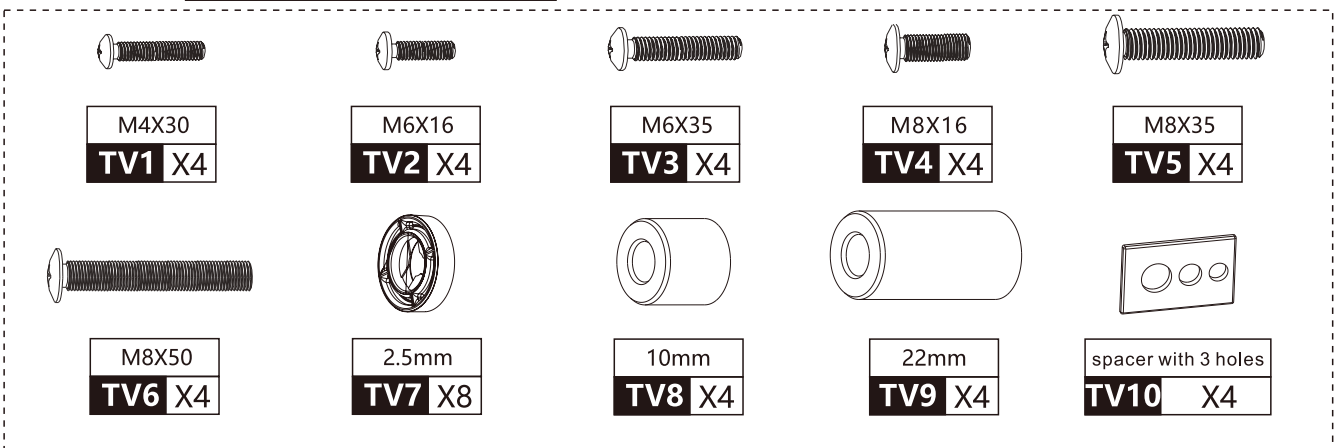
PART A



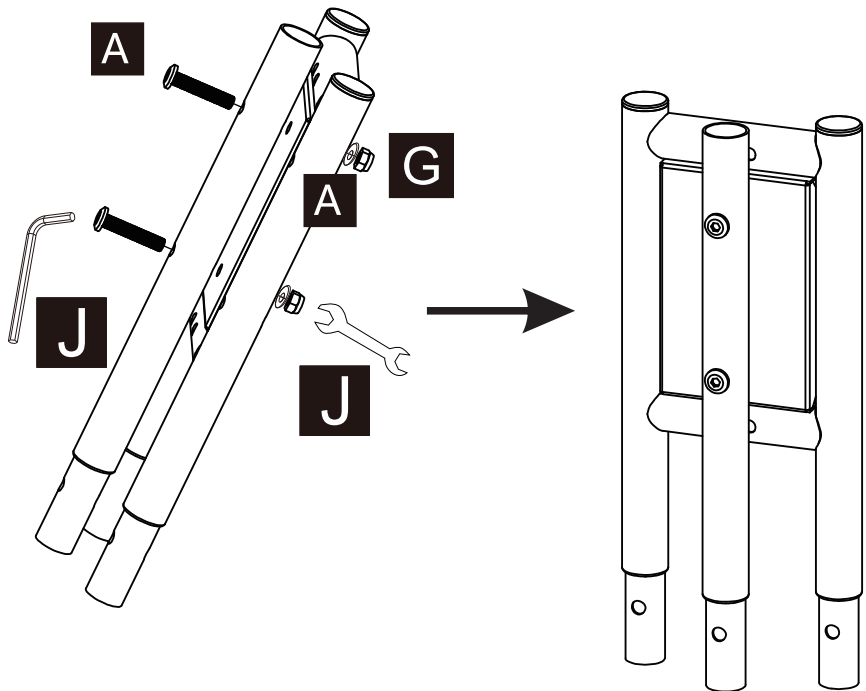
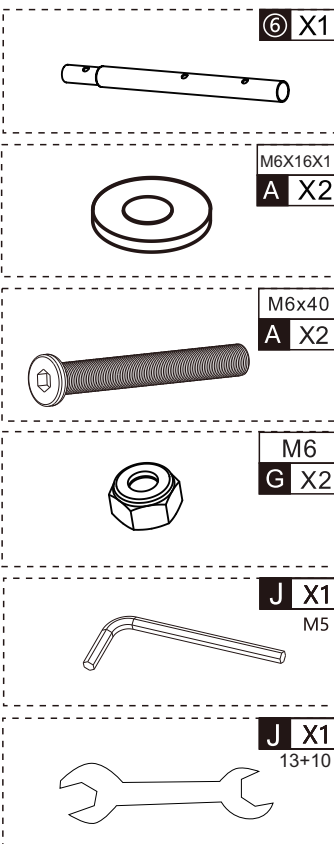
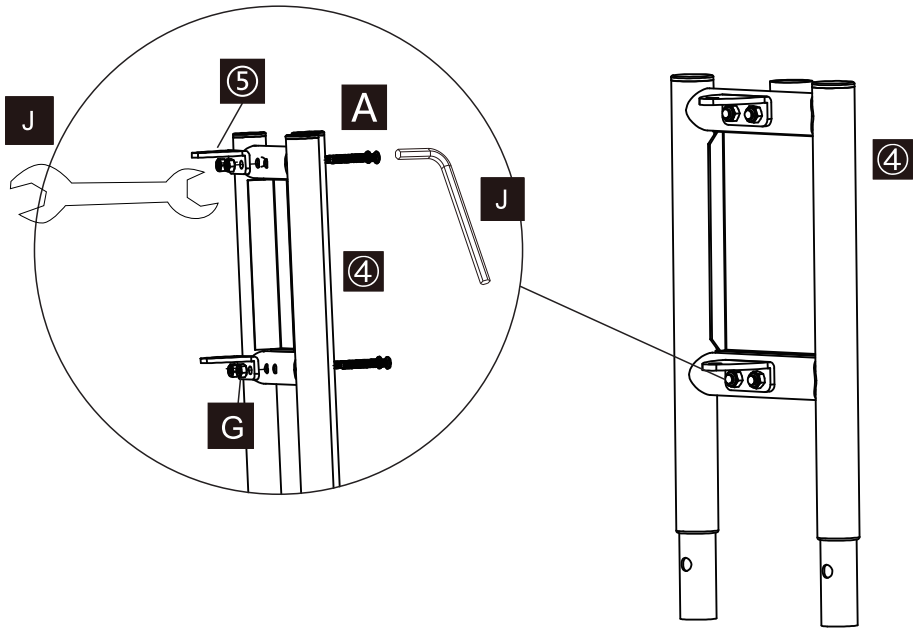
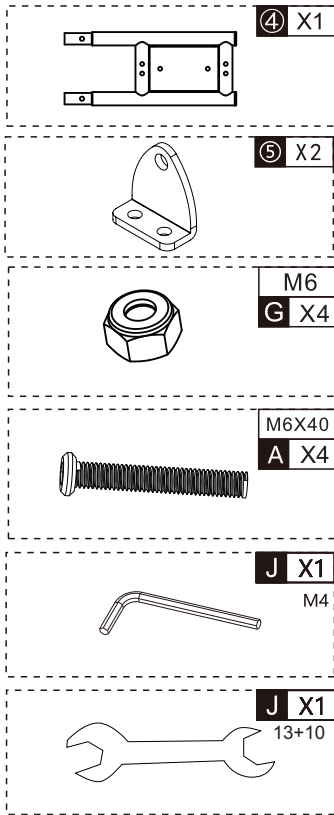
PART B



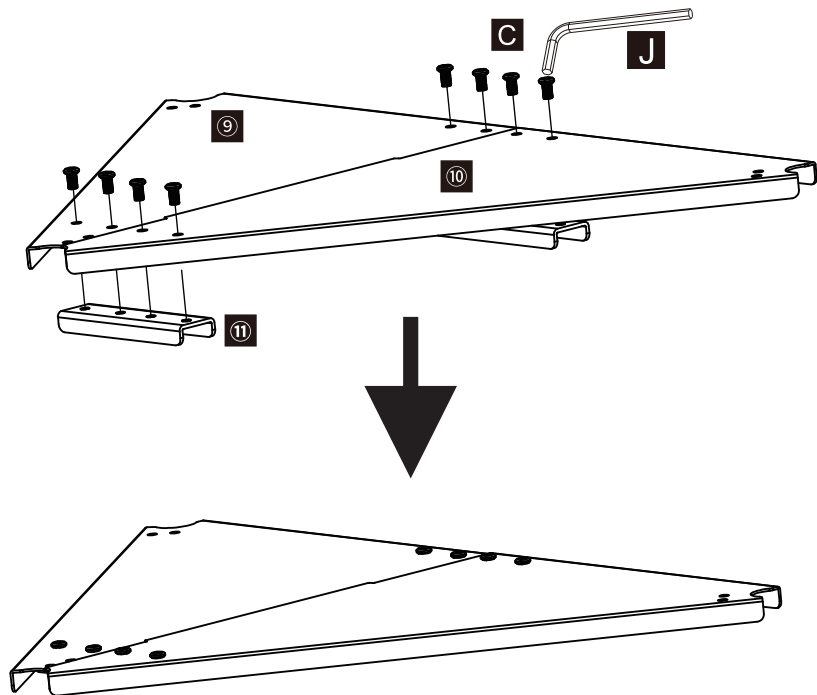
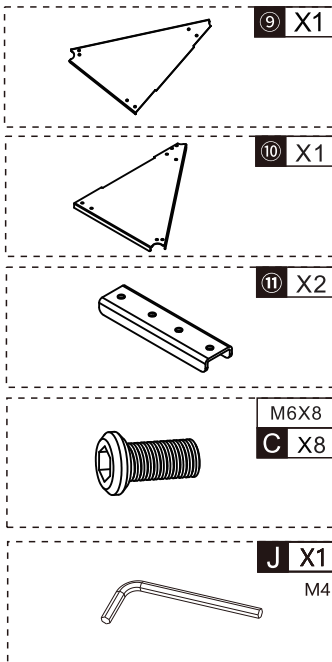
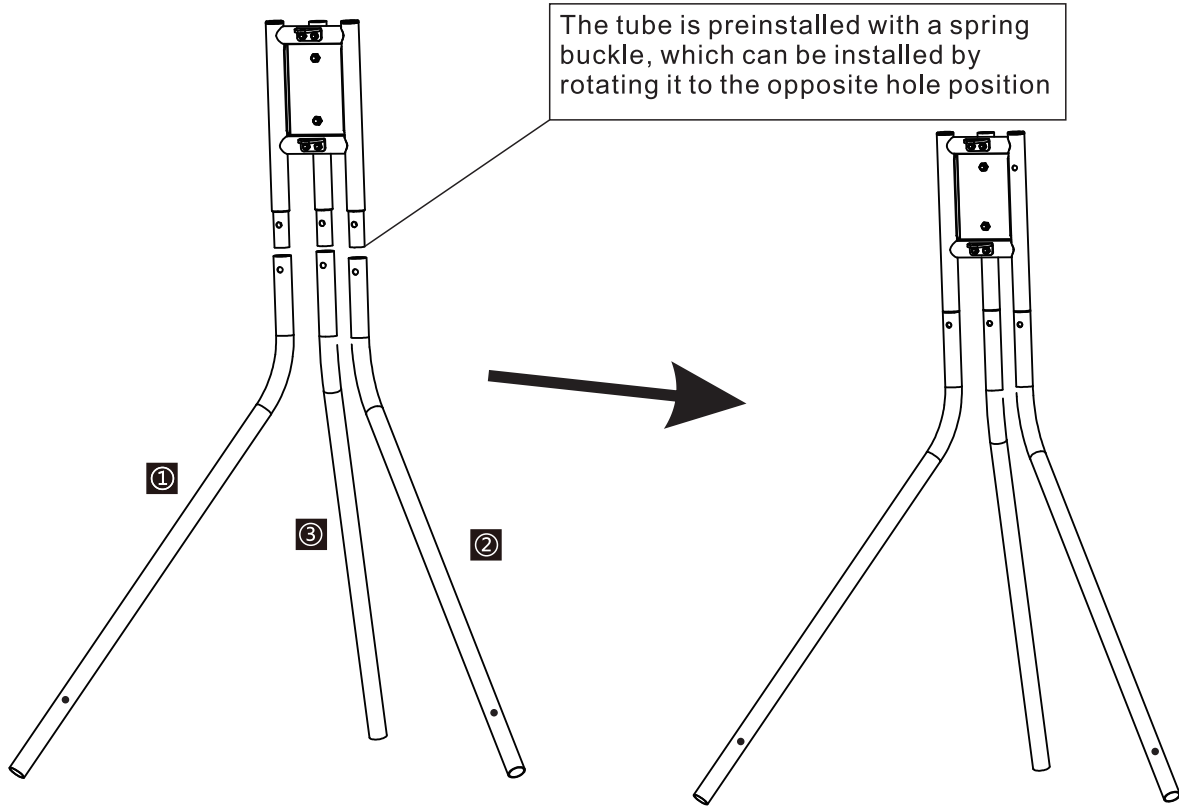
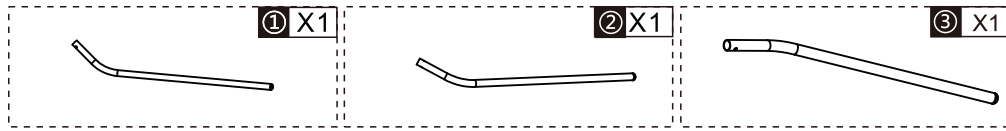
PART C FOR TV INSTALLATION



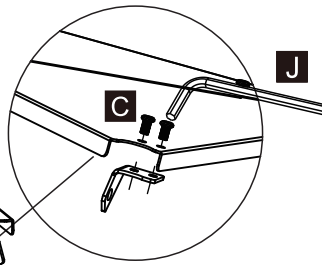
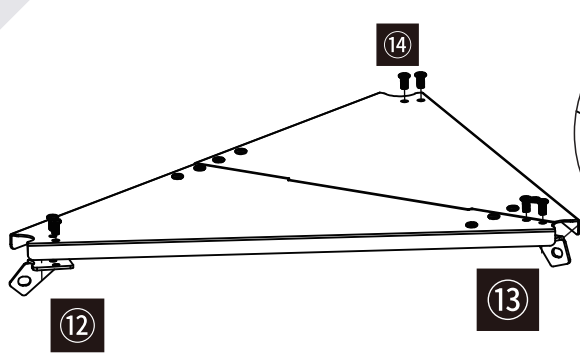
3



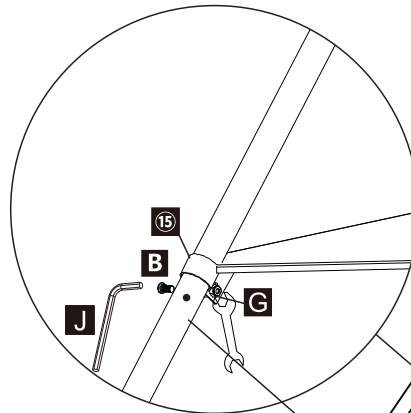
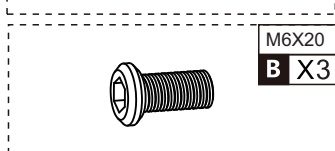
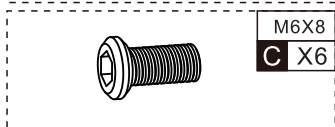
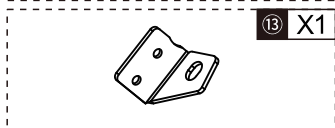
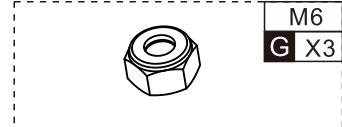
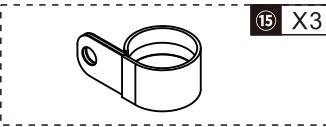
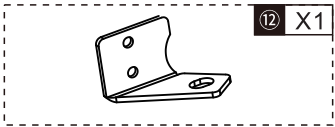
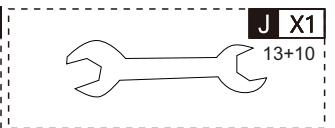
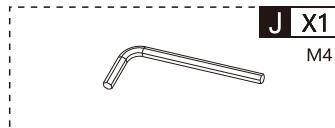
4



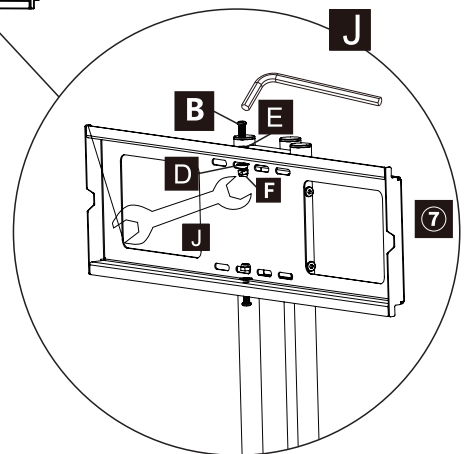
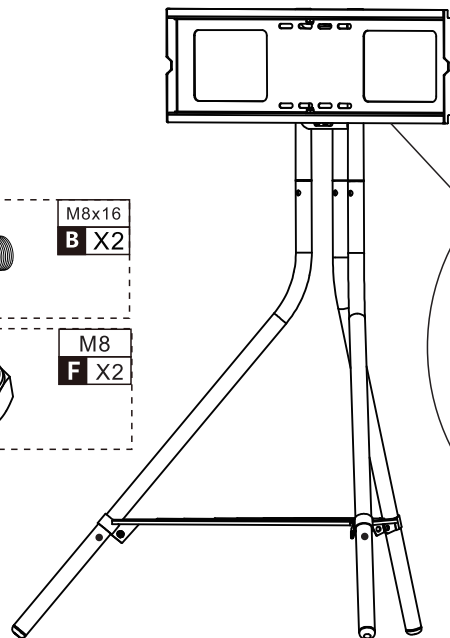
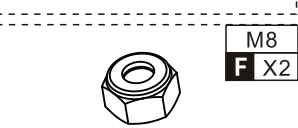
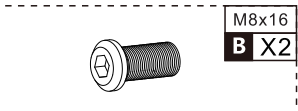
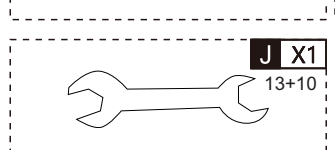
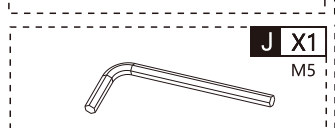
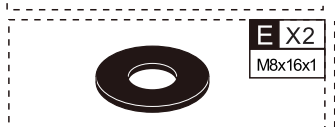
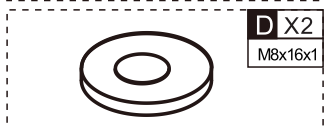
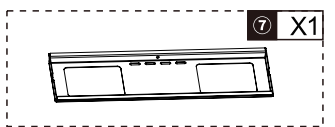
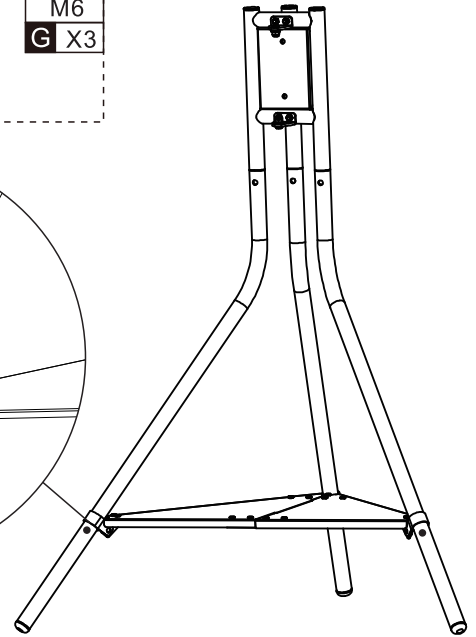
5



Plastic Washer
 Steel Washer

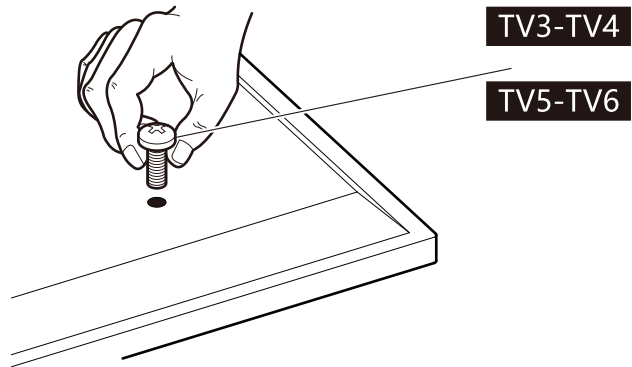
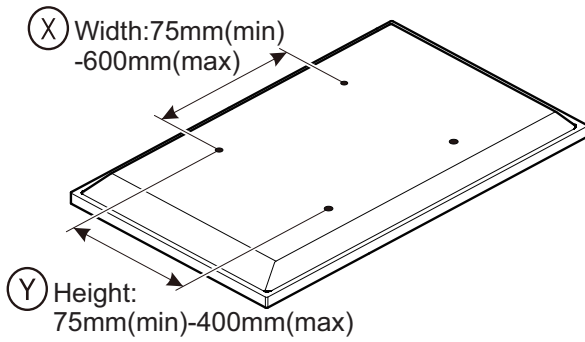


Note: Install the shelf in the solder joint position



6

Measure the TV fixing holes Width and Height



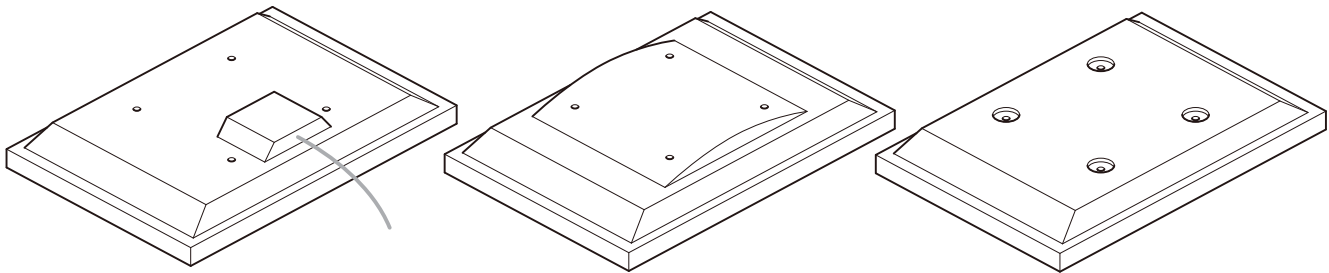
If width ⓧ is greater than 600mm or height Ⓨ greater than 400mm STOP installation now and contact the customer help line

You are provided with 4 diameters of TV fixing screws, **M4**, **M6** and **M8**. Determine the screw diameter that fits.

Spacers

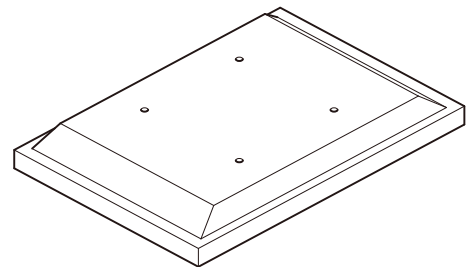
SP

For TVs with irregular/obstructed back



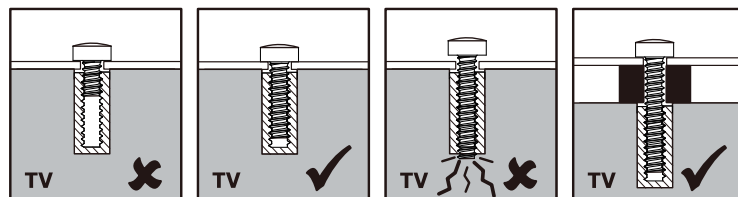
No Spacers

For TVs with flat/unobstructed back



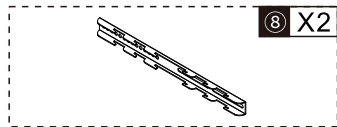
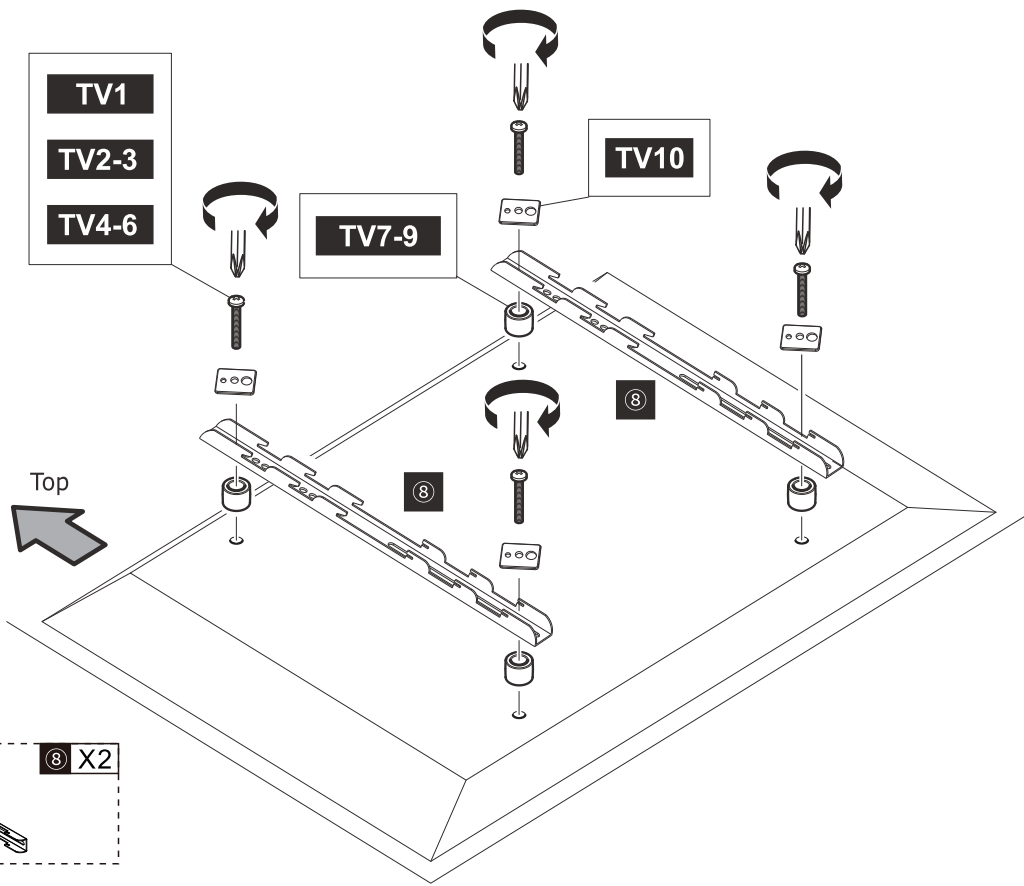
WARNING

Please keep for future reference.



7

NOT INCLUDED



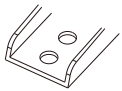
M4
TV1-2 X4

+

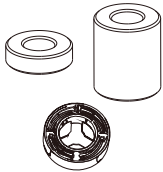


reducer with 3 holes
TV7 X4

+



+



SP1 - SP3
TV8-10
spacer X8



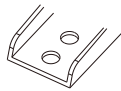
M6
TV3-4 X4

+



reducer with 3 holes
TV7 X4

+



+



SP1 - SP3
TV8-10
spacer X8



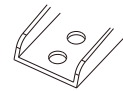
M8
TV5-6 X4

+



reducer with 3 holes
TV7 X4

+



+



SP1 - SP3
TV8-10
spacer X8



Attach the bracket to the back of your TV using suitable screw, reducer and spacer combinations.

8

NOT INCLUDED

