

# POSB05200A-micro series

5V / 2A Wall mounted type AC/DC adaptor



## ■ Features:

- Universal AC input / Full range
- ErP step II / CEC level VI compliance
- No load power consumption  $P < 0.075W$
- Protections: Overload / Short circuit / Over Voltage



## ELECTRICAL SPECIFICATION



<b>MODEL</b>	POSB 05200A-micro
<b>OUTPUT</b>	
<b>Rated Voltage</b>	5V
<b>Rated Current</b>	2A
<b>Current Range</b>	0 ÷ 2A
<b>Rated Power</b>	10W
<b>Line Regulation</b>	± 1%
<b>Load Regulation</b>	± 5%
<b>Tolerance</b>	± 8%
<b>Ripple &amp; Noise (max.)</b>	100mV <sub>p-p</sub>
<b>Setup, Rise Time</b>	5000ms, 30ms / 230VAC at full load
<b>Hold up Time (typ.)</b>	4ms / 230VAC at full load

<b>INPUT</b>	
<b>Voltage Range</b>	90 ÷ 264VAC
<b>Frequency Range</b>	47 ÷ 63Hz
<b>Efficiency (typ.)</b>	81.27%
<b>AC Current (typ.)</b>	0.3A / 230VAC
<b>No load Power Consumption (max.)</b>	0.075W

<b>PROTECTIONS</b>	
<b>Overload</b>	Range: 105-200% Auto-recovery.
<b>Short Circuit</b>	Type: hiccup mode, auto-recovery.
<b>Over Voltage</b>	Type: auto-recovery.

# POSB05200A-micro series

5V / 2A Wall mounted type AC/DC adaptor



## WORKING ENVIRONMENT

<b>Working Temperature</b>	0°C ÷ 45°C
<b>Working Humidity</b>	5 ÷ 90% RH non-condensing
<b>Storage Temperature and Humidity</b>	-20°C ÷ 85°C, 5 ÷ 90% RH non-condensing

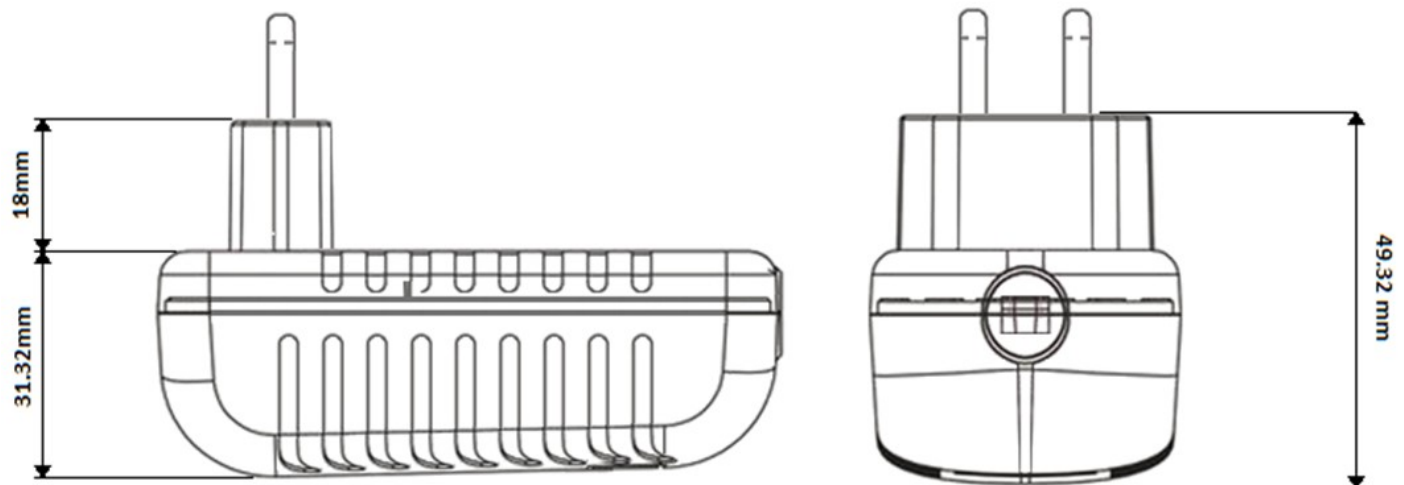
## SAFETY and EMC REGULATIONS

<b>Safety Standards</b>	Compliance to EN 62368
<b>Withstand Voltage</b>	IN/OUT: 3.6kVAC
<b>Isolation Resistance</b>	IN/OUT: 50MΩ/500VDC/25°C/70%
<b>EMC Emission</b>	Compliance to EN55032
<b>EMC Immunity</b>	Compliance to EN61000-4-2, -3, -4, -5
<b>Harmonic Current</b>	Compliance to EN61000-3-3; EN61000-3-2

## OTHERS

<b>DC wire and plug</b>	Wire: 22AWG*2C, length = 1200mm	Plug: micro USB
<b>Net Weight / Dimensions</b>	91g / 67 x 38 x 74mm (L x W x H)	

## MECHANICAL SPECIFICATION

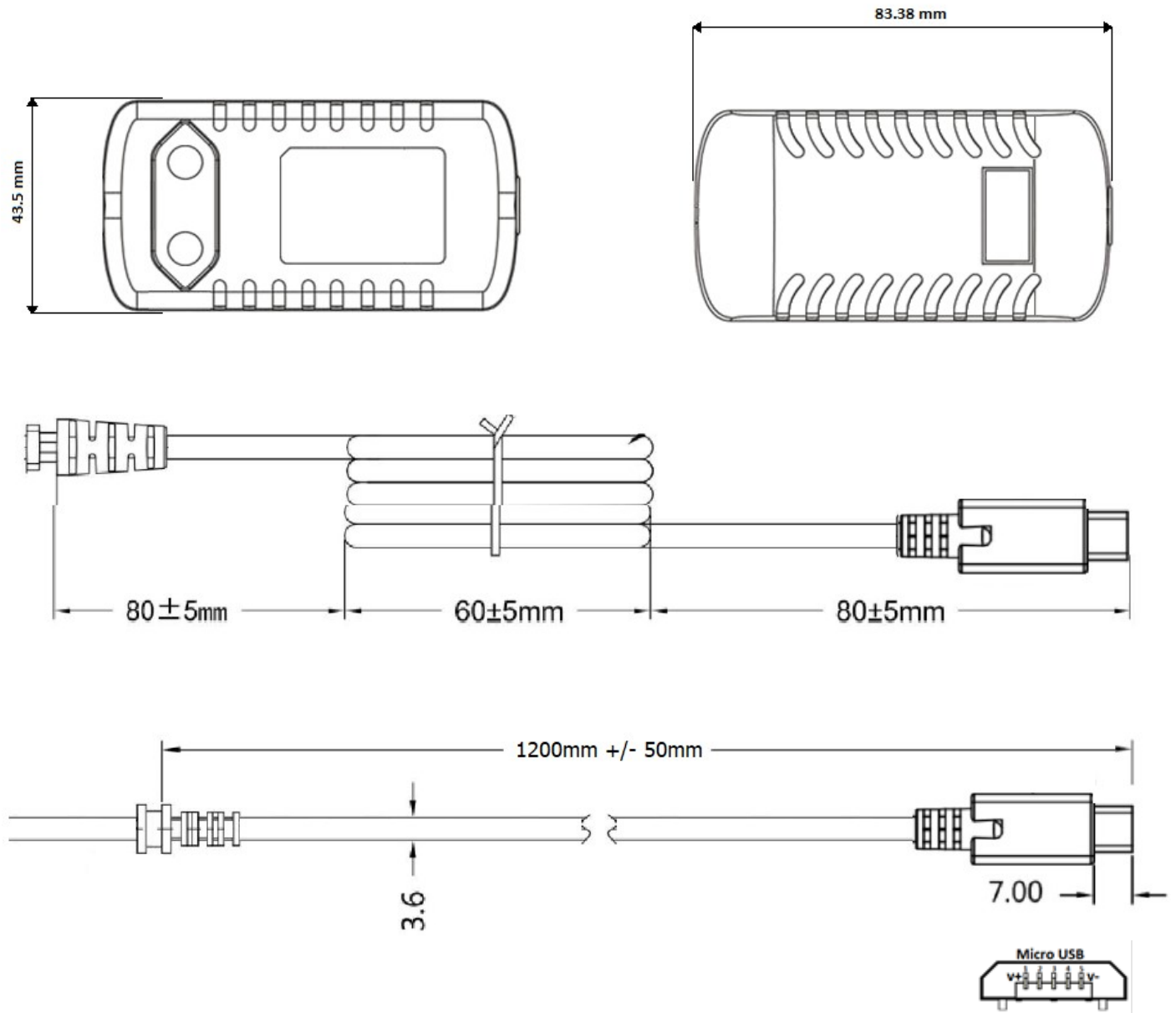


# POSB05200A-micro series

5V / 2A Wall mounted type AC/DC adaptor



## MECHANICAL SPECIFICATION: DC wire and plug



1. All parameters NOT specially mentioned are measured at 230VAC input, rated load and 25°C of ambient temperature.
2. Ripple & noise are measured at 20MHz of bandwidth by using a 12" twisted pair-wire terminated with a 0.1µF i 47µF parallel capacitor.
3. Tolerance includes set up tolerance, line regulation and load regulation.
4. Setup and rise time is measured from 0 to 90% rated output voltage.
5. Power supply is considered as component not indented to apply by end-user. Power supply meets safety and EMC standards however the final equipment with power supply must be re-quality to comply with EMC Directives.