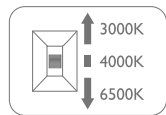
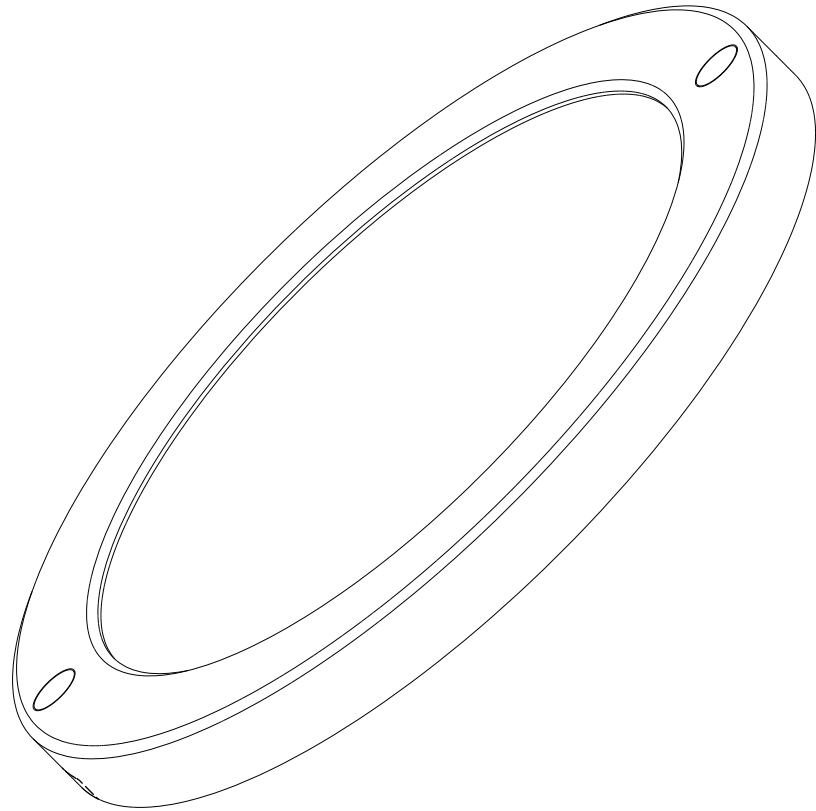
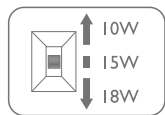


• Fast Installation • Thin • Universal



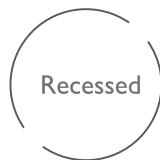
CCT Settable



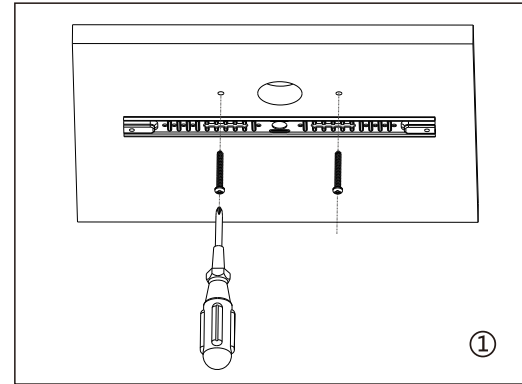
Watt Settable



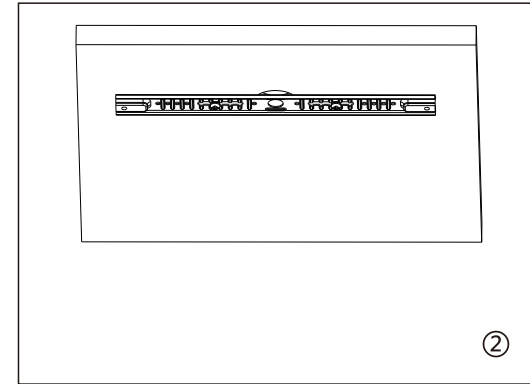
Motion sensor & Light sensor Panel Light



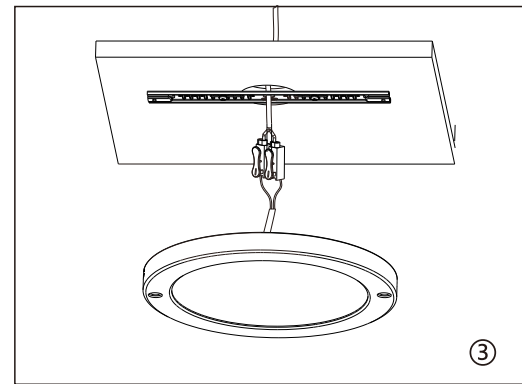
☛ Surface-mounted



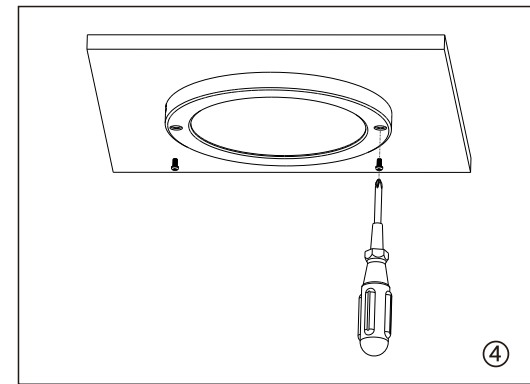
①



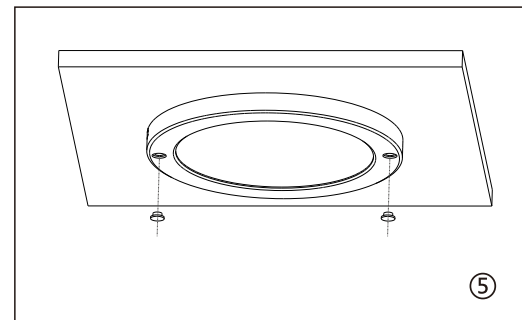
②



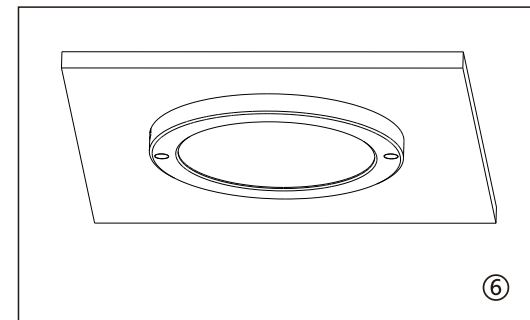
③



④



⑤



⑥

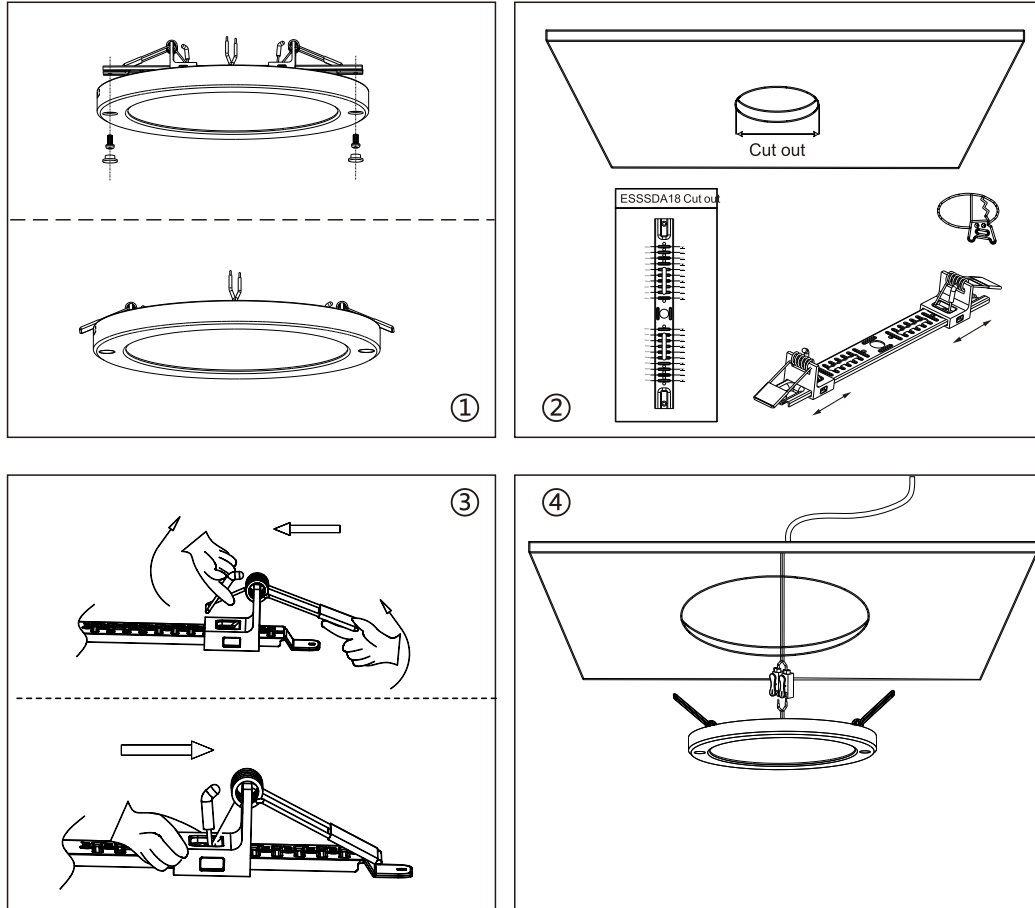
1. Install the bracket on the ceiling with screws through the bracket slot
2. The bracket is installed
3. Connect the input wire of the lamp body with the external wire with quick connection terminals (power-off operation);

4. Fix the lamp body on the bracket with M4*10 screws
5. Finally, put the silicone plug on the lamp body
6. The installation is complete

➤ Installation Instruction

Recessed

Notice: Spring adjustable instruction

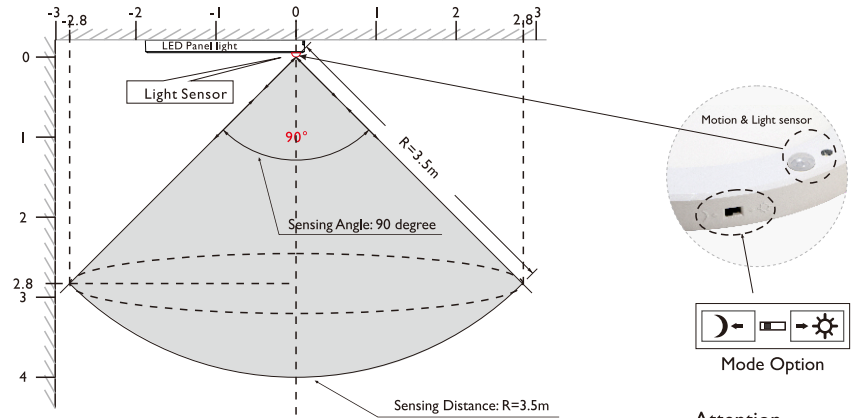


1. Install the bracket on the lamp body as shown in the figure above;
2. Adjust the spring bracket to the appropriate opening size,
3. Connect power cable with terminal
4. Connect the input wire of the lamp body with the external wire with the quick connection terminal (power off operation); Break the torsion spring into the ceiling opening to complete the installation.

Installation Attention

- Only the professional electrician can do the installing work. (Watch out the high voltage!)
- Make sure the integrity of the panel light when open the package.
- There is at least 0.2mm distance between the lamp and the inflammable materials.
- The power line can be fixed by clips and need to make sure it is fixed tightly.
- Make sure the power line get enough length to avoid any pull force of the line.
- Link the drive to electric supply, usually, the brown line is firing line, the blue line is null line.

➤ Motion Sensor + Light Sensor Working Principle



Attention
 Sensor Parameter:
 Motion Mode: PIR sensor + Daylight sensor
 Detection height: 3.5m max
 Hold time: 180s
 Daylight sensor: 13lux
 Detection angle: 90°
 Motion detection

Item	Mode select	
	(Moon)	(Sun)
Mode	Night motion: Automatic on in night base on motion when it's <13lux	All motion mode: Automatic on in both day&night base on motion
Motion Mode	Motion sensor + Daylight sensor	
Detection Height	3.5m	
Hold Time	180S	

Moon mode: Both Motion Sensor & Light Sensor work when indoors illumination < 13Lux
 Sun mode: only Motion Sensor works