



Philio Tech

Z-Wave 3 in 1 Sensor (Motion, Illumination, Temperature)

SKU: PHI_PST02-1B



Quickstart

This is a **secure Alarm Sensor** for **Europe**. To run this device please insert fresh **1 * CR123A** batteries. Please make sure the internal battery is fully charged. To add this device to your network execute the following action:

1. Have Z-Wave Controller entered inclusion mode.
2. Pressing tamper key three times within 1.5 seconds to enter the inclusion mode.
3. After add successful, the device will wake to receive the setting command from Z-Wave Controller about 20 seconds.

Important safety information

Please read this manual carefully. Failure to follow the recommendations in this manual may be dangerous or may violate the law. The manufacturer, importer, distributor and seller shall not be liable for any loss or damage resulting from failure to comply with the instructions in this manual or any other material. Use the equipment only for its intended purpose. Follow the disposal instructions. Do not dispose of electronic equipment or batteries in a fire or near open heat source.

What is Z-Wave?

Z-Wave is the international wireless protocol for communication in the Smart Home. This device is suited for use in the region mentioned in the Quickstart section.

Z-Wave ensures a reliable communication by reconfirming every message (**two-way communication**) and every mains powered node can act as a repeater for other nodes (**meshed network**) in case the receiver is not in direct wireless range of the transmitter.

This device and every other certified Z-Wave device can be **used together with any other certified Z-Wave device regardless of brand and origin** as long as both are suited for the same frequency range.

If a device supports **secure communication** it will communicate with other devices secure as long as this device provides the same or a higher level of security. Otherwise it will automatically turn into a lower level of security to maintain backward compatibility.

For more information about Z-Wave technology, devices, white papers etc. please refer to www.z-wave.info.



Product Description

The Z-Wave Plus 3 in 1 sensor is designed with three detection sensors:

1. PIR/Motion
2. temperature
3. illumination

The detector can be used as a security device or home automation device. When the detector is cooperated with security appliances, the detector is security device by detecting changes in infra-red radiation levels. If a person moves within or across the devices field of vision, a trigger radio signal will be transmitted to cause full alarm condition in order to frighten intruders away. Once night falls, the percentage of ambient illumination is lower than preset value. If a person moves within or across the devices field of vision, a trigger radio signal will be transmitted so as to turn connected lightings for better illumination. Every time when the sensor will also send temperature and illumination value as well. Also the temperature will send out the value when temperature changes. Note: The sensor does not work with Fibaro Homecenter 2 and Zipabox yet.

When included securely the device is able to accept secure commands and to send secure commands to other devices. The commands and the rec commands sent out on single click and on double click of the rocker can be defined in configuration parameters and association groups.

Prepare for Installation / Reset

Please read the user manual before installing the product.

In order to include (add) a Z-Wave device to a network it **must be in factory default state**. Please make sure to reset the device into factory default. You can do this by performing an Exclusion operation as described below in the manual. Every Z-Wave controller is able to perform this operation however it is recommended to use the primary controller of the previous network to make sure the very device is excluded properly from this network.

Reset to factory default

This device also allows to be reset without any involvement of a Z-Wave controller. This procedure should only be used when the primary controller is inoperative.

1. Pressing tamper key four times within 1.5 seconds and do not release the tamper key in the 4th pressed, and the LED will light ON.
2. After 3 seconds the LED will turn OFF, after that within 2 seconds, release the tamper key. If successful, the LED will light ON one second. Otherwise the LED will flash once.
3. IDs are excluded and all settings will reset to factory default.

Safety Warning for Batteries

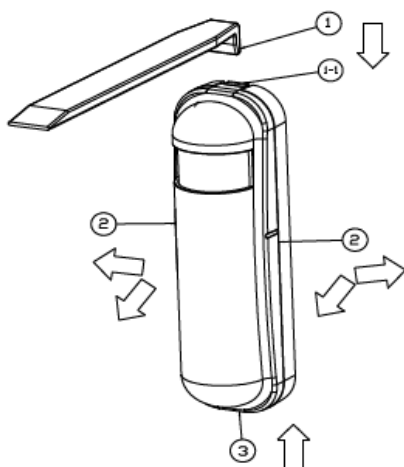
The product contains batteries. Please remove the batteries when the device is not used. Do not mix batteries of different charging level or different brands.

Installation

Battery Installation

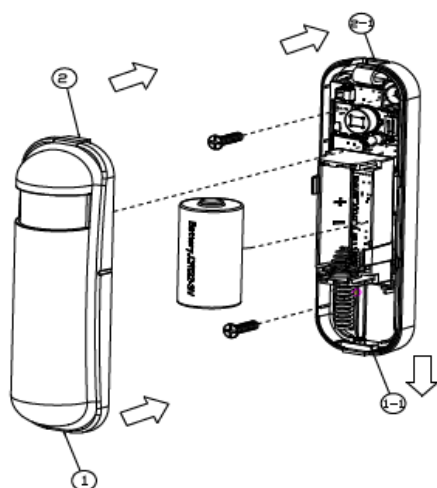
When the device reports the low battery message. The user should replace the battery to new one. The battery type is CR123A, 3.0V. The way to open the front cover please follow below steps.

- Using a tool to press the 1-1 position, to release the cover.
- Hold the front cover and pull back
- Hold the front cover and pull up



Replace the new battery and install the cover back.

- Put the front cover bottom to 1-1, and press down.
- Push the front cover top to 2-1.

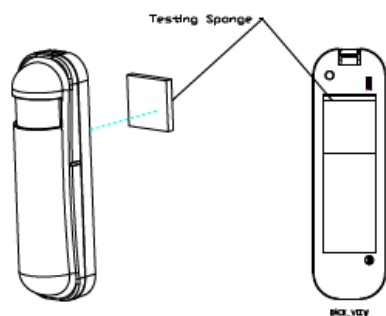


Choosing a Suitable Location

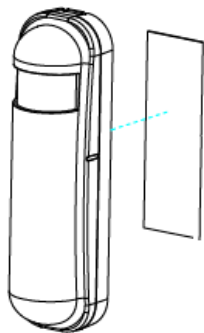
- The recommended mounting height is 160cm
- Don't let the device facing the window or the sunlight.
- Don't let the device facing the source of heat. For instance the heater or the air-condition.

Installation

- In the first time, add the device into the Z-Wave™ network. First, make sure the primary controller is in the inclusion mode. And then power on the device. Take out the insulation Mylar in the back side of the device. The device will auto start the NWI (Network Wide Inclusion) mode. And it should be included in 30 seconds. You will see the LED light ON one second.
- Let the controller associate with the device into the first group, any light switch that intend to be turned on when the device trig please associate with the device into the second group.
- In the accessory pack. There are two type of double coated tape, one is thicker (hereinafter referred to as A tape) and another is thinner (hereinafter referred to as B tape), you can use A tape for the test at the beginning. The right way for A tape installation is stick it to the position below tamper key. The thicker tape won't let the tamper key pressed, so the sensor will enter the test mode, You may test if installed position is good or not by this way.



After finish the test and decide to fix, then you can remove tape A, and mounting the sensor by using tape B. The tamper key will be pressed and let the sensor enter normal mode.



Inclusion/Exclusion

On factory default the device does not belong to any Z-Wave network. The device needs to be **added to an existing wireless network** to communicate with devices of this network. This process is called **Inclusion**.

Devices can also be removed from a network. This process is called **Exclusion**. Both processes are initiated by the primary controller of the Z-Wave network. The controller is turned into exclusion or inclusion mode. Inclusion and Exclusion is then performed by doing a special manual action on the device.

Inclusion

1. Have Z-Wave Controller entered inclusion mode.
2. Pressing tamper key three times within 1.5 seconds to enter the inclusion mode.
3. After successful, the device will wake to receive the setting command from Z-Wave Controller about 20 seconds.

Exclusion

1. Have Z-Wave Controller entered exclusion mode.
2. Pressing tamper key three times within 1.5 seconds to enter the exclusion mode.
3. Node ID has been excluded.

Node Information Frame

The Node Information Frame (NIF) is the business card of a Z-Wave device. It contains information about the device type and the technical capabilities. The inclusion and exclusion of the device is confirmed by sending out a Node Information Frame. Besides this it may be needed for certain network operations to send out a Node Information Frame. To issue a NIF execute the following action: Press any key once, the device will awake 10 seconds.

Communication to a Sleeping device (Wakeup)

This device is battery operated and turned into deep sleep state most of the time to save battery life time. Communication with the device is limited. In order to communicate with the device, a static controller **C** is needed in the network. This controller will maintain a mailbox for the battery operated devices and store commands that cannot be received during deep sleep state. Without such a controller, communication may become impossible and/or the battery life time significantly decreased.

This device will wakeup regularly and announce the wakeup state by sending out a so-called Wakeup Notification. The controller can then empty the mailbox. Therefore, the device needs to be configured with the desired wakeup interval and the node ID of the controller. If the device was included by a static controller, the controller will usually perform all necessary configurations. The wakeup interval is a tradeoff between maximal battery life time and the desired responses of the device. To wakeup the device please perform the following action: Press any key once, the device will awake 10 seconds.

Quick trouble shooting

Here are a few hints for network installation if things don't work as expected.

1. Make sure a device is in factory reset state before including. In doubt exclude before include.
2. If inclusion still fails, check if both devices use the same frequency.
3. Remove all dead devices from associations. Otherwise you will see severe delays.
4. Never use sleeping battery devices without a central controller.
5. Don't poll FLIRS devices.
6. Make sure to have enough mains-powered devices to benefit from the meshing.

Firmware-Update over the Air

This device is capable of receiving a new firmware 'over the air'. The update function needs to be supported by the central controller. Once the controller starts the update process, perform the following action to confirm the firmware update: The device supports the Z-Wave firmware update via OTA. Before starting the update, please remove the front cover of the device. Otherwise the hardware check will be failed. Let the controller into the firmware update mode, and then press the tamper key once to start the update. After finishing the firmware download, the LED will start flashing in every 0.5 seconds. At that time, please don't remove the battery, otherwise it will cause the firmware to be broken, and the device will no longer function. After the LED stops flashing, it is recommended that the user power up the device. (After removing the battery, please wait about 30

seconds, and then re-install the battery.

Association - one device controls an other device

Z-Wave devices control other Z-Wave devices. The relationship between one device controlling another device is called association. In order to control a device, the controlling device needs to maintain a list of devices that will receive controlling commands. These lists are called association groups and they are related to certain events (e.g. button pressed, sensor triggers, ...). In case the event happens all devices stored in the respective association group will receive the same wireless command, typically a 'Basic Set' Command.

Association Groups:

Group Number	Maximum Nodes	Description
1	8	Receiving the report message, like triggered event, temperature, illumination etc.
2	8	Light control, the device will send the "Basic Set" command

Configuration Parameters

Z-Wave products are supposed to work out of the box after inclusion, however certain configuration can adapt the function better to user needs or unlock further enhanced features.

IMPORTANT: Controllers may only allow configuring signed values. In order to set values in the range 128 ... 255 the value sent in the application shall be value minus 256. For example: To set a parameter to 200 it may be needed to set a value of 200 minus 256 = minus 56. In case of a two byte value the same applies: Values greater than 32768 may be needed to be given as negative values too.

Parameter 2: Basic Set Level

Setting the BASIC command value to turn on the light

Size: 1 Byte, Default Value: 255

Setting	Description
0	turn off the light
1 - 100	the light strength.
254	turn on the light.

Parameter 3: PIR Sensitivity

PIR sensitivity settings.

Size: 1 Byte, Default Value: 80

Setting	Description
0	disable the PIR motion.
1 - 99	1 means the lowest sensitivity, 99 means the highest sensitivity. High sensitivity means can detect longer but if there is more noise signal in the environment, it will re-trigger too frequently.

Parameter 4: Light Threshold

Setting the illumination threshold to turn on the light. When the event triggered and the environment illumination lower than the threshold, the device will turn on the light. 0 means turn off illumination detected function. And never turn on the light.

Notice: In none test mode, only the value in 1 to 99 will enable the illumination detected function and update the illumination value.

Size: 1 Byte, Default Value: 99

Setting	Description
0	turn off illumination detected function.
1 - 100	1 means darkest. 99 means brightest. 100 means turn off illumination detected function. And always turn on the light.

Parameter 5: Operation Mode

Operation mode. Using bit to control.

Size: 1 Byte, Default Value: 0

Setting	Description
1	Reserve.
2	1 means test mode, 0 means normal mode. Notice: This bit only effect by the DIP Switch setting to "cust mode", otherwise it decides by DIP Switch setting to Test or Normal Mode
4	Reserve.
8	Setting the temperature scale. 0: Fahrenheit, 1:Celsius
16	Disable the illumination report after event triggered. (1:Disable, 0:Enable)
32	Disable the temperature report after event triggered. (1:Disable, 0:Enable)
64	Reserve.
128	Disable the back key release into test mode. (1:Disable, 0:Enable)

Parameter 6: Mult-Sensor Function Switch

Multisensor function switch. Using bit to control.

Size: 1 Byte, Default Value: 4

Setting	Description
1	Reserve.
2	Disable PIR integrate Illumination to turn ON the lighting nodes in the association group 2. (1:Disable, 0:Enable)
4	Reserve.
8	Reserve.
16	Reserve.
32	Reserve.
64	Reserve.
128	Reserve.

Parameter 7: Customer Function

Customer function switch, using bit control.

Size: 1 Byte, Default Value: 4

Setting	Description
1	Reserve.
2	Enable sending motion OFF report. (0:Disable, 1:Enable)
4	Enable PIR super sensitivity mode. (0:Disable, 1:Enable)
8	Reserve.
16	Notification Type, 0: Using Notification Report. 1: Using Sensor Binary Report.
32	Disable Multi CC in auto report. (1:Disable, 0:Enable)
64	Disable to report battery state when the device triggered. (1:Disable, 0:Enable)
128	Reserve.

Parameter 8: PIR Re-Detect Interval Time

In the normal mode, after the PIR motion detected, setting the re-detect time. 8 seconds per tick, default tick is 3 (24 seconds).Setting the suitable value to received the trigger signal too frequently. Also can save the battery energy.Notice: If this value bigger than the configuration setting NO. 9. There is a period light turned off and the PIR not start detecting.

Size: 1 Byte, Default Value: 3

Setting	Description
1 - 127	PIR Re-Detect Interval Time

Parameter 9: Turn Off Light Time

After turn on the lighting, setting the delay time to turn off the lighting when the PIR motion is not detected. 8 seconds per tick, default tick is 4 (32 seconds) never send turn off light command.

Size: 1 Byte, Default Value: 4

Setting	Description
0 - 127	Turn Off Light Time

Parameter 10: Auto Report Battery Time

The interval time for auto report the battery level. 0 means turn off auto report battery. The default value is 12. The tick time can setting by the configuration

Size: 1 Byte, Default Value: 12

Setting	Description
0 - 127	Auto Report Battery Time

Parameter 12: Auto Report Illumination Time

The interval time for auto report the illumination. 0 means turn off auto report illumination. The default value is 12. The tick time can setting by the configurat

Size: 1 Byte, Default Value: 12

Setting	Description
0 - 127	Auto Report Illumination Time

Parameter 13: Auto Report Temperature Time

The interval time for auto report the temperature. 0 means turn off auto report temperature. The default value is 12. The tick time can setting by the configur

Size: 1 Byte, Default Value: 12

Setting	Description
0 - 127	Auto Report Temperature Time

Parameter 20: Auto Report Tick Interval

The interval time for auto report each tick. Setting this configuration will effect configuration No.10, No.11, No.12 and No.13. Caution: Setting to 0 means tur report function.

Size: 1 Byte, Default Value: 30

Setting	Description
0 - 255	Auto Report Tick Interval

Parameter 21: Temperature Differential Report

The temperature differential to report. 0 means turn off this function. The unit is Fahrenheit. Enable this function the device will detect every minutes. And wh temperature is over 140 degree Fahrenheit, it will continue report. Enable this functionality will cause some issue please see the detail in the u201cTempera Reportu201d section.

Size: 1 Byte, Default Value: 1

Setting	Description
0 - 127	Temperature Differential Report

Parameter 22: Illumination Differential Report

The illumination differential to report. 0 means turn off this function. The unit is percentage. Enable this function the device will detect every minutes. Enable functionality will cause some issue please see the detail in the Illumination Report section.

Size: 1 Byte, Default Value: 0

Setting	Description
0 - 99	Illumination Differential Report

Technical Data

Dimensions	95x28x35 mm
Weight	48 gr
Hardware Platform	ZM5202
EAN	4713698570170
IP Class	IP 20
Battery Type	1 * CR123A
Device Type	Notification Sensor
Network Operation	Reporting Sleeping Slave
Z-Wave Version	6.51.02
Certification ID	ZC10-14080017
Z-Wave Product Id	0x013C.0x0002.0x000D
Frequency	Europe - 868,4 Mhz
Maximum transmission power	5 mW

Supported Command Classes

- Association
- Association Group Information
- Battery
- Sensor Binary
- Configuration
- Device Reset Locally
- Firmware Update Md
- Manufacturer Specific
- Multi Command
- Sensor Multilevel
- Notification
- Powerlevel
- Security
- Version
- Wake Up
- Zwaveplus Info

Controlled Command Classes

- Basic

Explanation of Z-Wave specific terms

- **Controller** — is a Z-Wave device with capabilities to manage the network. Controllers are typically Gateways, Remote Controls or battery operated wall controllers.
- **Slave** — is a Z-Wave device without capabilities to manage the network. Slaves can be sensors, actuators and even remote controls.
- **Primary Controller** — is the central organizer of the network. It must be a controller. There can be only one primary controller in a Z-Wave network.
- **Inclusion** — is the process of adding new Z-Wave devices into a network.
- **Exclusion** — is the process of removing Z-Wave devices from the network.

- **Association** — is a control relationship between a controlling device and a controlled device.
- **Wakeup Notification** — is a special wireless message issued by a Z-Wave device to announces that is able to communicate.
- **Node Information Frame** — is a special wireless message issued by a Z-Wave device to announce its capabilities and functions.

(c) 2020 Z-Wave Europe GmbH, Antonstr. 3, 09337 Hohenstein-Ernstthal, Germany, All rights reserved, www.zwave.eu. The template is maintained by [Z-Wave Europe GmbH](#). The product content is maintained by Z-Wave Europe GmbH , Supportteam, support@zwave.eu. Last update of the product data: 2017-02-14 14:26:32