

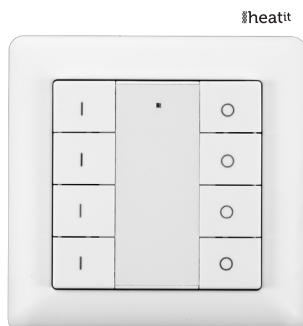
HEATIT Z-PUSH BUTTON 8

Firmware 1.25

01.09.2018

Ver 2018-A

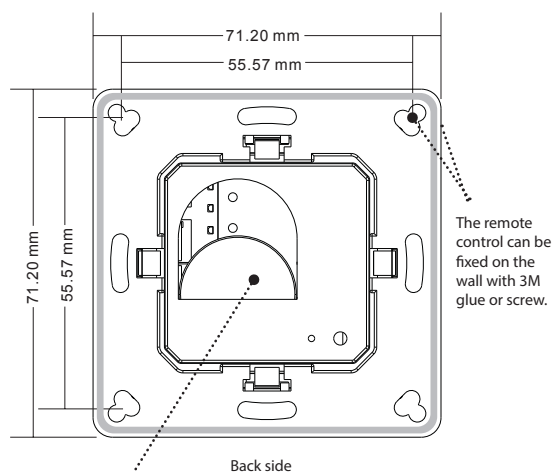
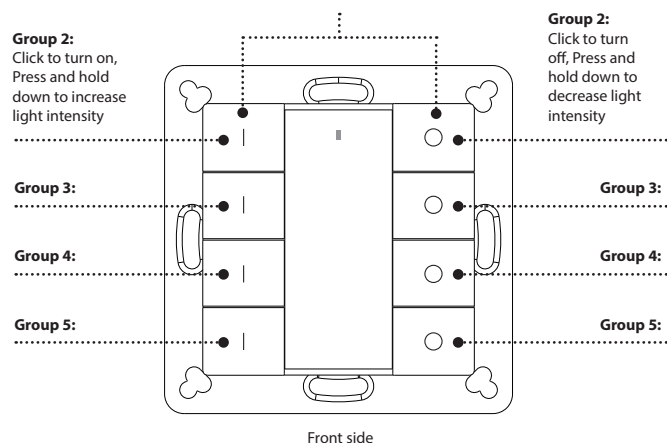
Installers manual



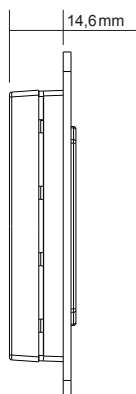
IMPORTANT

PLEASE READ THIS BEFORE INSTALLATION

Press and hold down both keys together for 3s to be added to or removed from Z-Wave network by Z-Wave master (primary) controller.



Battery: CR 2450
Before the first use, please remove the protective film



SAFETY & WARNINGS

- This device contains a button lithium battery that shall be stored and disposed properly.
- DO NOT expose the device to moisture.

QUICK START

- Step 1: Turn on your remote control.
- Step 2: Activate inclusion mode on your Z-Wave controller.
- Step 3: Activate inclusion mode of your remote control by pressing and holding down both I and O of Group 2 together over 3 seconds.

PRODUCT DESCRIPTION

The remote control is a Z-Wave device that can both control other Z-Wave devices and activate scenes in Gateways. Although it is controlling other devices, the device cannot act as Z-Wave network controller (primary or secondary) and will always need a Z-Wave network controller to be added into a Z-Wave network.

The remote control has following functions:

1. Control of groups of other Z-Wave devices using ON, OFF and Dim commands.
2. Activation of scenes in Gateway mode.

The encryption modes that the remote control supports are S0, S2 Authenticated and S2 Unauthenticated. When the remote control is being included into a Z-Wave network, you can use your primary controller/gateway to enable one encryption mode or disable encryption. (The primary controller/gateway shall support encryption mode configuration).

INSTALLATION GUIDE

Please read carefully the enclosed user manual before installation of remote control, in order to ensure an error-free functioning.

The remote control unit supplied as complete set for flush mounting in the standard circular European wall boxes with 60mm diameter.

ADDING TO A Z-WAVE NETWORK

Step 1. Make sure the remote control does not belong to any Z-Wave network, short press any button, if LED indicator does not turn on, the remote control does not belong to any network, then continue step 2, if LED indicator turns on, it means the remote control has already been added to a network, please first set the remote control to removing mode (refer to the part "Removing" of this manual), then continue step 2.

Step 2. Set primary controller/gateway into adding mode (Please refer to your primary controllers manual on how to turn your controller into adding).

Step 3. Press and hold down both buttons I and O of Group 2 over 3 seconds, LED indicator turns on, the remote control will be set to adding mode, and waiting to be added, after 10s LED indicator blinks 6 times quickly to indicate successful adding.

The remote control is a sleepy device, after adding it will not enter into sleepy mode immediately, and will continue activation status for 30s and wait data interaction from the gateway, the LED indicator will stay solid on, please be patient to wait LED indicator to turn off.

REMOVING FROM A Z-WAVE NETWORK

There are two removing methods:

Method 1: Removing from the primary controller/gateway as follows:

1. Set the primary controller/gateway into removing mode (Please refer to your primary controllers manual on how to set your controller into removing).
2. Press and hold down both buttons **I** and **O** of Group 2 over 3 seconds, LED indicator turns on, the remote control will be set to removing mode, and waiting to be removed, after 7s LED indicator blinks 4 times quickly to indicate successful removing.

Method 2: Factory reset the remote control will force the remote control to be removed from a network. (Please refer to the part "Factory Reset" of this manual)

Note: Factory reset is not recommended for removing, please use this procedure only if the primary controller/gateway is missing or otherwise inoperable.

HOW TO CHECK WHETHER THE REMOTE CONTROL ALREADY ADDED TO A NETWORK

Short press any button, if LED indicator does not turn on, the remote control does not belong to any network, if LED indicator turns on, it means the remote control has already been added to a network.

If the remote control already belongs to a network, follow the removing process before adding it in your network. Otherwise adding of this device will fail.

FACTORY RESET

Press and hold down both buttons **I** and **O** of Group 2 together for over 10 seconds, LED indicator turns on and then blinks 4 times quickly to indicate successful factory reset.

ASSOCIATION

Z-Wave devices control other Z-Wave devices. The relationship between one device controlling another device is called association. In order to control a different device, the controlling device needs to maintain a list of devices that will receive controlling commands. These lists are called association groups and they are always related to certain events (e.g. button pressed). In case the event happens all devices stored in the respective association group will receive a common wireless command.

ASSOCIATION GROUPS

Each group supports maximum 5 nodes for association, the same device can be associated with multiple groups on the remote control simultaneously, to ensure better control experience, the remote control shall remove the associated devices that are not under working status from association groups in time.

ASSOCIATION GROUPS	GROUP NAME	MAX NODES	DESCRIPTION
Group 1	Lifeline.	5	<p>1. Send Command Class "Device Reset Locally Notification V1" to associated devices of this group to report factory reset information when factory reset the remote control.</p> <p>2. When remote control battery power value changes, send Command Class "Battery Report V1" to associated devices of this group to report power value information.</p> <p>3. Short press or press and hold any button to send scene activation command to the associated devices of this group using Command Class "Central Scene Notification V3"</p>
Group 2	Launch 1	5	<p>Short press I/O button of Group 2 to send ON/OFF command to associated devices of this group using Command Class "Basic Set V2".</p> <p>Press and hold down I/O button of Group 2 to send light intensity increase/decrease command to associated devices of this group using Command Class "Multilevel V4".</p>
Group 3	Launch 2	5	<p>Short press I/O button of Group 3 to send ON/OFF command to associated devices of this group using Command Class "Basic Set V2".</p> <p>Press and hold down I/O button of Group 3 to send light intensity increase/decrease command to associated devices of this group using Command Class "Multilevel V4".</p>
Group 4	Launch 3	5	<p>Short press I/O button of Group 4 to send ON/OFF command to associated devices of this group using Command Class "Basic Set V2".</p> <p>Press and hold down I/O button of Group 4 to send light intensity increase/decrease command to associated devices of this group using Command Class "Multilevel V4".</p>
Group 5	Launch 4	5	<p>Short press I/O button of Group 5 to send ON/OFF command to associated devices of this group using Command Class "Basic Set V2".</p> <p>Press and hold down I/O button of Group 5 to send light intensity increase/decrease command to associated devices of this group using Command Class "Multilevel V4".</p>

SET AND UNSET ASSOCIATIONS

(NOTE: ALL ASSOCIATION INFORMATION WILL BE CLEARED AUTOMATICALLY ONCE THE REMOTE CONTROL IS EXCLUDED FROM A NETWORK.)

There are two methods to set associations:

1. Set association by operating primary controller/gateway to send association command to the remote control:

When set association from primary controller/gateway, the remote control shall be activated first, if it is not activated, you should activate it manually.

The primary controller/gateway sends association command to the remote control using "Command Class ASSOCIATION" or "Command Class Multi Channel Association"

2. Set association by operating the remote control and devices to be controlled:

To control a Z-Wave device from the remote control the node ID of this device needs to be assigned to one of the two association groups. This is a three-step process:

1. Press and hold down both buttons **I** and **O** of Group 2 over 3 seconds, LED indicator turns on.

2. Short press **I** button of any group within 7s to associate the device to this group, short press **O** button of any group within 7s to remove association of the device from this group.

3. Operate the device to be controlled to send Node Information Frame (please refer to the device manual) within 10 seconds, or set the device to exclusion mode within 10 seconds, since it will send Node Information Frame in exclusion mode, LED indications are as follows:

- LED blinks twice to indicate that the remote control failed to add the associated device (the association group has already added maximum quantity associated devices that it supports).

- LED blinks 5 times to indicate that the remote control added the associated device successfully.

- LED blinks 8 times to indicate that the remote control removed the associated device successfully.

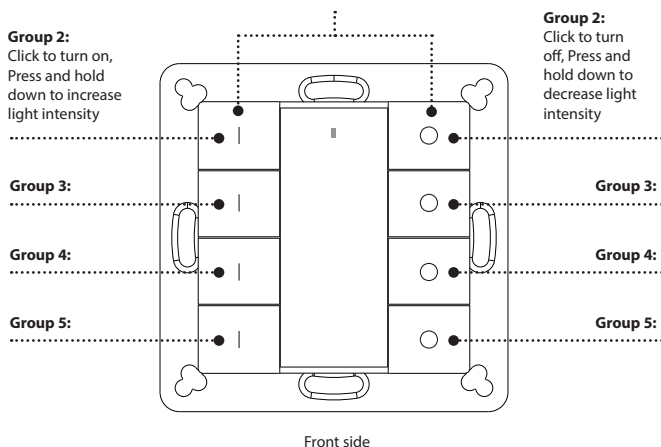
TO REMOVE ALL ASSOCIATED DEVICES IN AN ASSOCIATION GROUP ON THE REMOTE CONTROL DIRECTLY:

1. Press and hold down both buttons **I** and **O** of Group 2 over 3 seconds, LED indicator turns on.

2. Click **OFF** button of any group on the remote control 5 times continuously within 7 seconds to remove all associated devices of this group, LED indicator blinks 8 times to indicate that the associated devices are removed successfully.

OPERATING THE DEVICE

Press and hold down both keys together for 3s to be added to or removed from Z-Wave network by Z-Wave master (primary) controller.



- Short press **I** or press and hold down any button to send scene activation command to association Group 1 using Command Class "Central Scene Notification V3".

- Short press **I / O** button of Group 2, send ON/OFF command to all associated devices of Association Group 2.

- Press and hold down **I / O** button of Group 2, send light intensity increase/decrease command to all associated devices of Association Group 2.

- Short press **I / O** button of Group 3, send ON/OFF command to all associated devices of Association Group 3.

- Press and hold down **I / O** button of Group 3, send light intensity increase/decrease command to all associated devices of Association Group 3.

- Short press **I / O** button of Group 4, send ON/OFF command to all associated devices of Association Group 4.

- Press and hold down **I / O** button of Group 4, send light intensity increase/decrease command to all associated devices of Association Group 4.

- Short press **I / O** button of Group 5, send ON/OFF command to all associated devices of Association Group 5.

- Press and hold down **I / O** button of Group 5, send light intensity increase/decrease command to all associated devices of Association Group 5.

How to communicate with the device

The remote control is under sleepy mode for most of the time to save battery power. It can not receive wireless command under sleepy mode. Before the gateway interacts data with the remote, the remote control shall be activated manually first. Short press any button to activate the remote control for 3s, and press and hold down **I** and **O** buttons of Group 2 together over 1 second to activate the remote control for 7s.

Node Information Frame

The Node Information Frame is the business card of a Z-Wave device. It contains information about the device type and the technical capabilities. The inclusion and exclusion of the device is confirmed by sending out a Node Information Frame. Beside this it may be needed for certain network operations to send out a Node Information Frame.

How to send out Node Information Frame:

Set the wall controller into adding/removing mode: Press and hold down both **I** and **O** buttons of Group 2 over 3 seconds, LED indicator turns on to indicate the wall controller has already sent out Node Information Frame, the user can repeat the operation to set the wall controller to quit "adding/removing mode".

PRODUCT INFO Heatit Z-Push Button 8

- Battery operated wall switch with 8 push buttons
- Fits Gira System 55, Elko RS-16 and Schneider Exxact frames
- Can control 5 association groups and up to 20 units
- Can control 8 separate scenes
- LED- Diode
- Easy to install with screws and double-sided tape
- Supports encryption mode: S0, S2 Authenticated Class, S2 Unauthenticated Class

TECHNICAL DATA

Protocol Z-Wave, 868,4 MHz

SDK 6.71.01

Rated voltage 1 x CR 2450 battery

Push Button 8

Min/max installation temp. 0 - 40°C

Relative humidity 8% - 80%

Network range Up to 20 meters
(depending on surroundings)

IP Class IP 20

Size LxWxD 71,2 x 71,2 x 13,6mm

Explorer Frame Support Yes

Device Type Wall controller

Generic Device Class Switch Remote

Specific Device Class Switch Remote Multilevel

Routing No

Flirs No

Approvals CE

RoHS 2011/65/EU

WARRANTY

2 years

COMMAND CLASSES

Supported Command Classes

- COMMAND_CLASS_ZWAVEPLUS_INFO_V2
- COMMAND_CLASS_ASSOCIATION_V2
- COMMAND_CLASS_MULTI_CHANNEL_ASSOCIATION_V3
- COMMAND_CLASS_CENTRAL_SCENE_V3
- COMMAND_CLASS_ASSOCIATION_GRP_INFO_V1
- COMMAND_CLASS_TRANSPORT_SERVICE_V2
- COMMAND_CLASS_VERSION_V2
- COMMAND_CLASS_MANUFACTURER_SPECIFIC_V2
- COMMAND_CLASS_DEVICE_RESET_LOCALLY_V1
- COMMAND_CLASS_POWERLEVEL_V1
- COMMAND_CLASS_BATTERY_V1
- COMMAND_CLASS_SECURITY_V1
- COMMAND_CLASS_SECURITY_2_V1
- COMMAND_CLASS_WAKE_UP_V2
- COMMAND_CLASS_SUPERVISION_V1

Controlled Command Classes

- COMMAND_CLASS_CENTRAL_SCENE_V3
- COMMAND_CLASS_BASIC_V2
- COMMAND_CLASS_SWITCH_MULTILEVEL_V4
- Multi Channel V3
- Security_V1
- Security_2_V1

Heatit Controls AB can not be held liable for typographical errors, other errors or omissions in our information.

Product specifications may change without further notice.

All electrical installations must be carried out by a licensed electrician.

The product must be installed in accordance with national building codes and our installers manual.