
Operating Manual



• COCOON AERIS • HANGING MODEL

Corresponding Model Codes:
CFAB, CFABANG, CFABBLK, CFASS, CFASSANG

PLEASE READ THESE INSTRUCTIONS CAREFULLY AND COMPLETELY BEFORE OPERATING THIS PRODUCT

INDEX PAGE

INDEX PAGE	Page 1
WARNINGS AND SAFEGUARDS	Page 2
STAINLESS STEEL HANGING SYSTEM - FIXED CEILING BASE PART BREAKDOWN	Page 3
STAINLESS STEEL HANGING SYSTEM - ANGLED CEILING BASE - PART BREAKDOWN	Page 4
BLACK HANGING SYSTEM - FIXED CEILING BASE - PART BREAKDOWN	Page 5
PARTS NAMES AND DESCRIPTIONS	Page 6
ADDITIONAL PARTS NAMES AND DESCRIPTIONS	Page 7
COMBUSTION CHAMBER PARTS NAMES AND DESCRIPTIONS	Page 8
SAFETY & CLEARANCE	Page 9-10
STAINLESS STEEL FIXED CEILING BASE - INSTALLATION & ADJUSTMENT	Page 11
STAINLESS STEEL ANGLED CEILING BASE - INSTALLATION & ADJUSTMENT	Page 12
BLACK FIXED CEILING BASE - INSTALLATION & ADJUSTMENT	Page 13
HANGING MODEL INSTALLATION & ADJUSTMENTS	Page 14-17
TROUBLESHOOTING AND OPERATIONAL TIPS	Page 18
OPERATING THE COCOON BURNER	Page 19
PROCEDURE IF BURNER IS OVERFILLED AND CAUTION	Page 20
IGNITING THE COMBUSTION CHAMBER	Page 21
REGULATING AND EXTINGUISHING THE FLAME	Page 22
TO REFILL THE COMBUSTION CHAMBER	Page 23
WARNING	Page 24

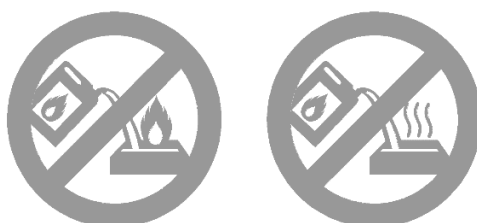
SAVE THESE INSTRUCTIONS

Cocoon Fires is very safety conscious and we have taken every care in designing, manufacturing and assembling your Cocoon Fires Burner to ensure it operates effectively, efficiently and safely. Please exercise care when using this product and follow the instructions below. Cocoon Fires cannot be held responsible for any damage or injury caused if the information supplied in this manual are not adhered to.

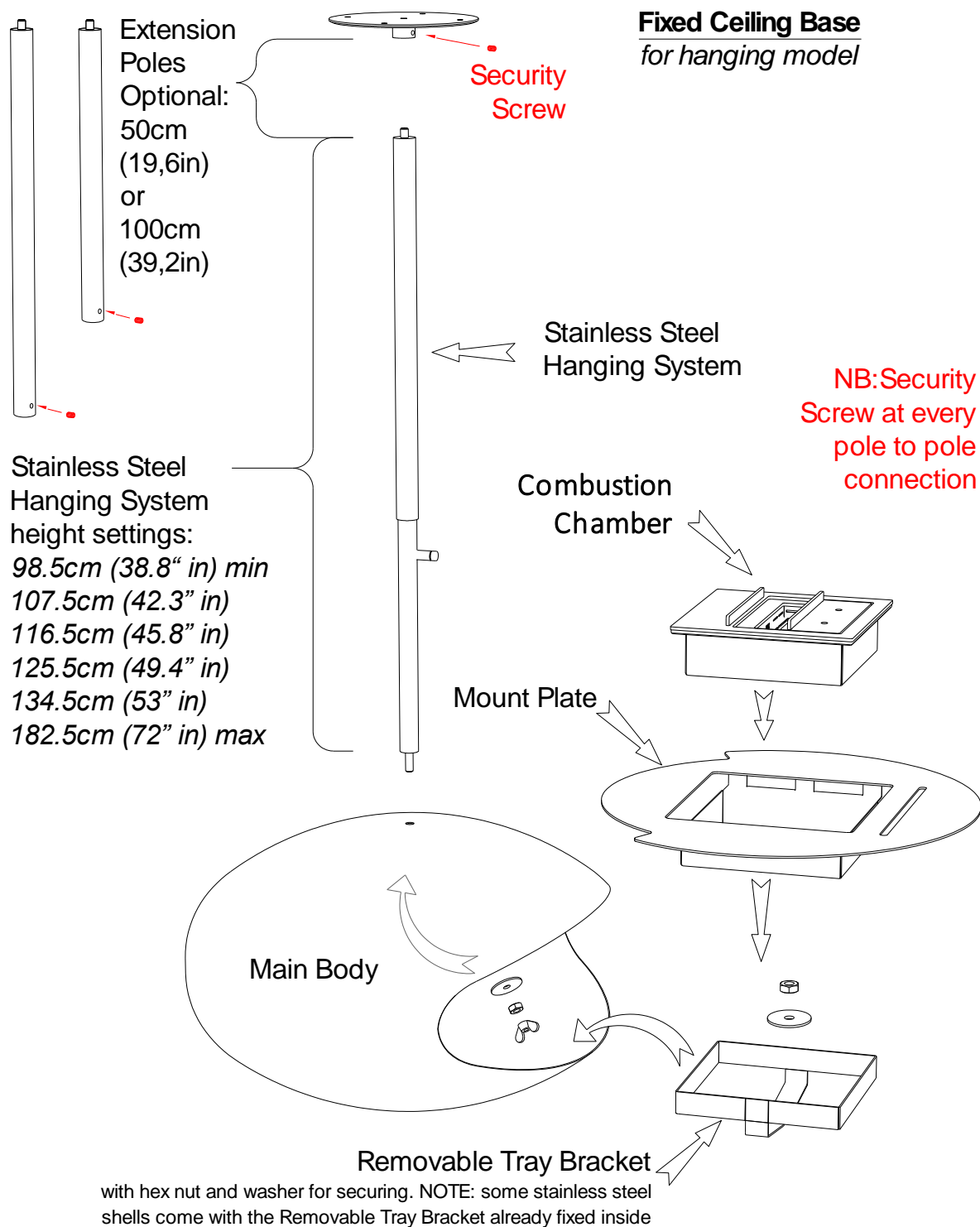
WARNING - IMPORTANT SAFEGUARDS

Read all instructions and warnings before installation and use.

- NEVER LEAVE THE APPLIANCE UNATTENDED DURING OPERATION OR WHEN A FLAME IS PRESENT.
- DO NOT IGNITE THE COMBUSTION CHAMBER WHEN IT IS IN A HOT STATE.
- THIS PRODUCT IS TO BE USED ONLY IN ROOMS ACCORDING TO THE MANUAL.
- KEEP AWAY FROM CHILDREN.
- STORAGE OF YOUR FUEL IS TO BE DONE IN ACCORDANCE WITH NATIONAL AND/OR REGIONAL REGULATIONS.
- THIS PRODUCT IS FOR DECORATIVE AND DOMESTIC USE ONLY.
- NOT SUITABLE FOR CONTINUOUS OPERATION.
- OPERATION OF SEVERAL APPLIANCE IN ONE ROOM IS ONLY ALLOWED IF THE POWER OUTPUT IS EQUAL TO OR LOWER THAN 4,5 kW/h AND ADDITIONAL VENTILATION IS REQUIRED IF THIS IS EXCEEDED.
- DO NOT OVERFILL THE BURNER'S INTENDED CAPACITY.
- OVERFILLING WILL CAUSE THE APPARATUS TO BURN AT HIGHER TEMPERATURE RATES RESULTING IN THE APPARATUS BEING DIFFICULT TO TURN OFF.
- DO NOT INSTALL INTO AN AREA WHERE THERE IS A DRAFT WHICH CAN AFFECT THE FLAME.
- USE ONLY THE FUEL FOR WHICH THE COMBUSTION CHAMBER IS INTENDED.
- DO NOT TOUCH THE EXTERIOR OF THE CHIMENEA DURING OR AFTER BURNING.
- PARTS OF THIS CHIMENEA AND ESPECIALLY THE COMBUSTION CHAMBER CAN REACH HIGH TEMPERATURES DURING OPERATION.
- DO NOT COVER NOR MOVE THE COMBUSTION CHAMBER OR CHIMENEA DURING OPERATION.
- DO NOT HAVE COMBUSTIBLE OBJECTS IN CLOSE PROXIMITY TO THE CHIMENEA.
- NEVER POSITION THE BURNER WITHIN RANGE OF COMBUSTIBLE ITEMS THAT CAN BE MOVED/BUMPED BY ACCIDENT OR BLOWN BY THE WIND. e.g. CURTAINS, PAPERS & BLANKETS.
- ONLY USE THE CHIMENEA IN AREAS WITH GOOD VENTILATION.
- DRAFT AREAS WILL CAUSE THE APPARATUS TO BURN AT HIGHER TEMPERATURE RATES RESULTING IN THE APPARATUS BEING DIFFICULT TO TURN OFF, THEREFORE THE APPARATUS SHOULD NOT BE USED IN A DRAFT AREA.
- DO NOT COVER THE CHIMENEA VENT WITH ANY DECORATIVE ITEMS WHETHER THEY ARE COMBUSTIBLE OR NON-COMBUSTIBLE, INCLUDING BUT NOT LIMITED TO ARTIFICIAL LOGS, STONES, PEBBLES, GLASS BEADS etc.
- THIS APPARATUS HAS NOT BEEN TESTED WITH AN UNVENTED GAS LOG SET, TO REDUCE THE RISK OF FIRE OR INJURY, DO NOT INSTALL AN UNVENTED GAS LOG SET INTO THIS APPLIANCE.
- WARNING: FILLING AN ALCOHOL FUELLED DEVICE WHILE LIT HAS CAUSED SEVERE BURNS AND DEATHS. YOU MUST REMOVE THE FUEL TANK FROM THE DEVICE BEFORE REFILLING. WHEN REFILLING FIRST CHECK THE FLAME IS EXTINGUISHED AND THAT THE DEVICE IS COOL.
- NEVER FILL OR REFILL THE BURNER OVER OR NEAR AN OPEN FLAME.



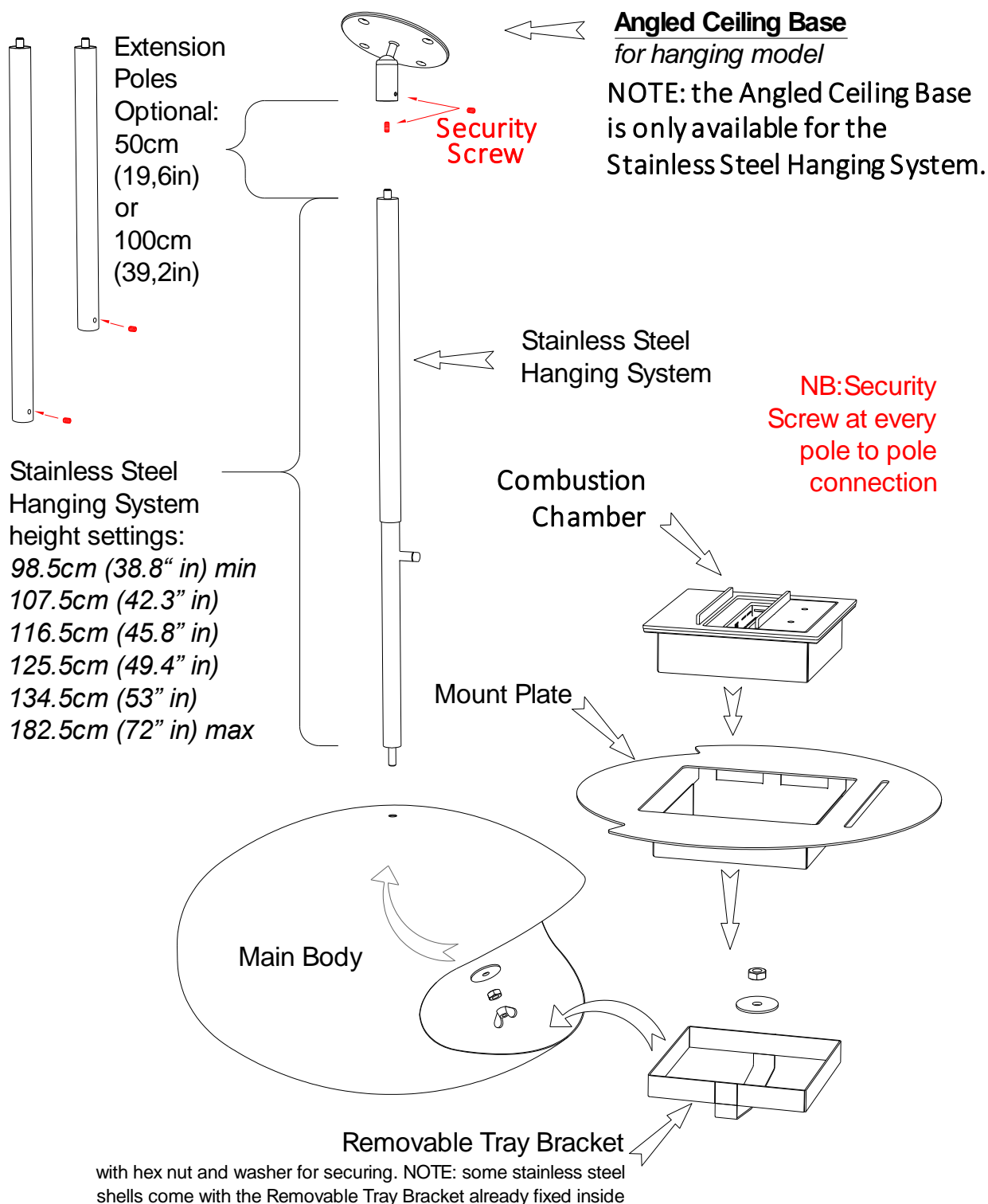
STAINLESS STEEL HANGING SYSTEM - FIXED CEILING BASE PART BREAKDOWN



For Stainless Steel Hanging System:

- 360° rotation available.
- The Extension Poles fit between the Fixed Ceiling Base and Stainless Steel Hanging System, enabling the unit to be hung in higher areas without losing the adjustable qualities of the Stainless Steel Hanging System. The lengths available are:
 - 50 cm (19,6 in)
 - 100 cm (39,2 in)
- The Stainless Steel Hanging System comes with an option of either a Fixed Ceiling Base OR an Angled Ceiling Base for pitched or angled load bearing fixing surfaces.

STAINLESS STEEL HANGING SYSTEM - ANGLED CEILING BASE - PART BREAKDOWN



For Stainless Steel Hanging System:

- 360° rotation available.
- The Extension Poles fit between the Fixed Ceiling Base and Stainless Steel Hanging System, enabling the unit to be hung in higher areas without losing the adjustable qualities of the Stainless Steel Hanging System. The lengths available are:
 - 50 cm (19,6 in)
 - 100 cm (39,2 in)
- The Stainless Steel Hanging System comes with an option of either a Fixed Ceiling Base OR an Angled Ceiling Base for pitched or angled load bearing fixing surfaces.

BLACK HANGING SYSTEM - FIXED CEILING BASE - PART BREAKDOWN

Black Hanging System

*NOTE: the 25cm connection pole connected to the main body is not optional and the desired finished length must be made up from a combination of the *Sizes Included.*

Security Screw at Ceiling Base to first pole and at every pole to pole connection thereafter

25 cm (9,84 in) Connection Pole NOT OPTIONAL



Fixed Ceiling Base

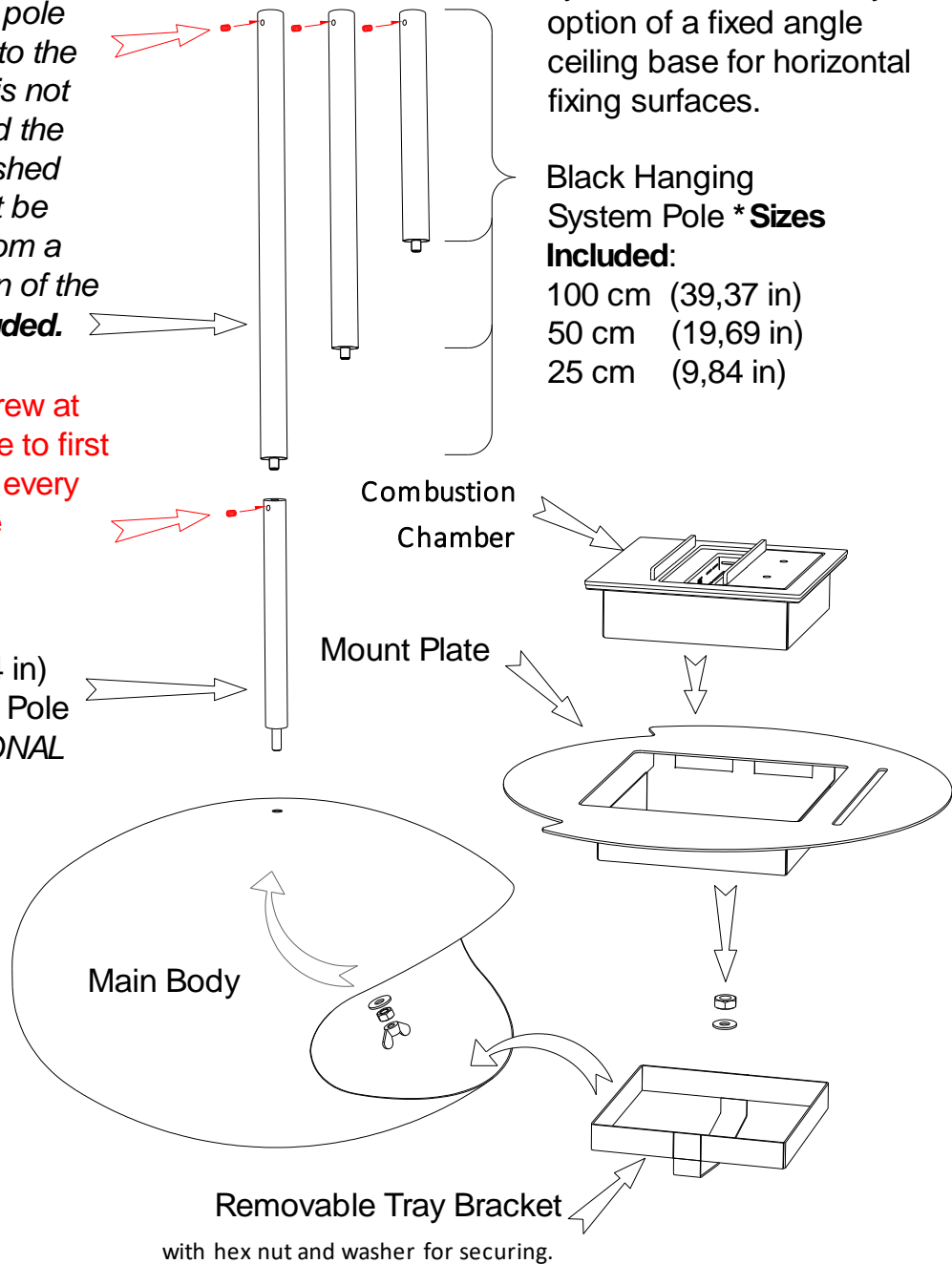
for hanging model

NOTE: the Black hanging system comes with only an option of a fixed angle ceiling base for horizontal fixing surfaces.

Black Hanging System Pole * Sizes

Included:

- 100 cm (39,37 in)
- 50 cm (19,69 in)
- 25 cm (9,84 in)

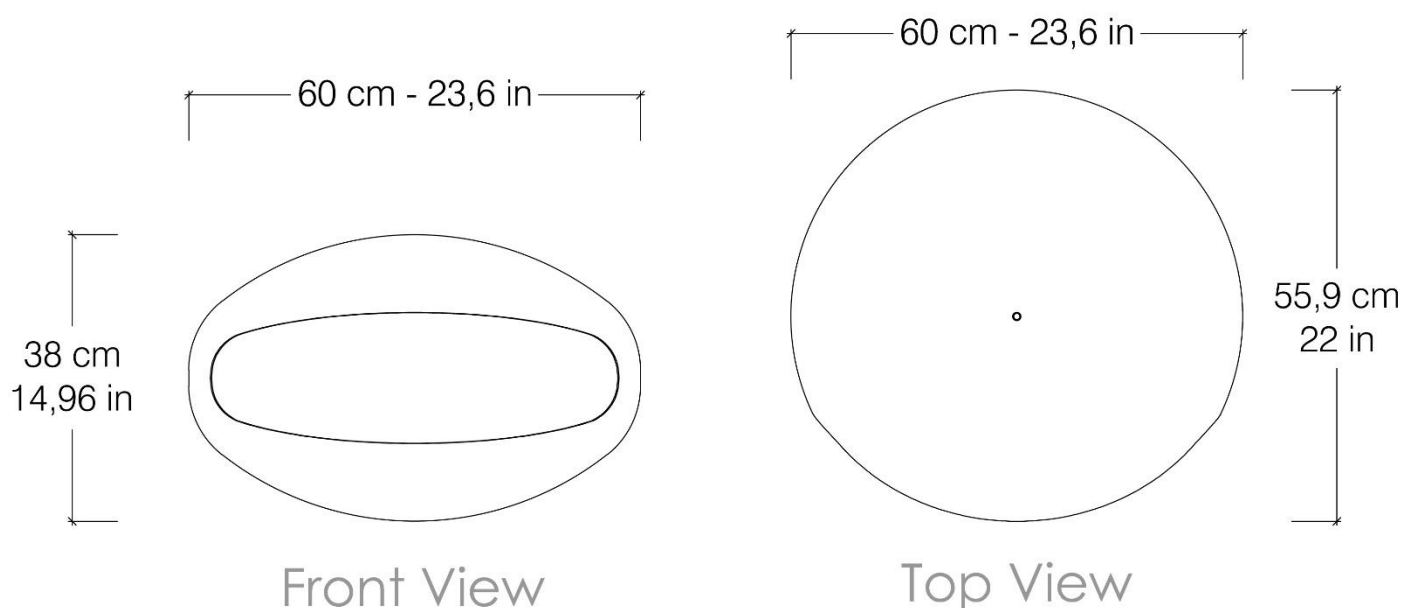


For Black Hanging System:

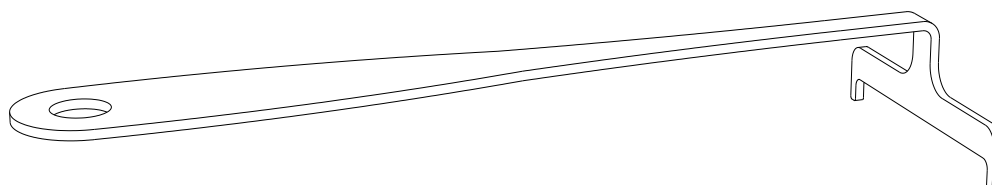
- Only available for flat / level ceilings. Not available with Angled Ceiling Bracket.
- **NOTE:** the 25cm connection pole is not optional, and the desired finished length must be made up from a combination of the *sizes available PLUS this compulsory Connection Pole.
- Black Hanging Poles come in fixed lengths so the finished pole length must be made from a combination of the following sizes:
 - 100 cm (39,37 in)
 - 50 cm (19,69 in)
 - 25 cm (9,84 in)

PARTS NAMES AND DESCRIPTIONS

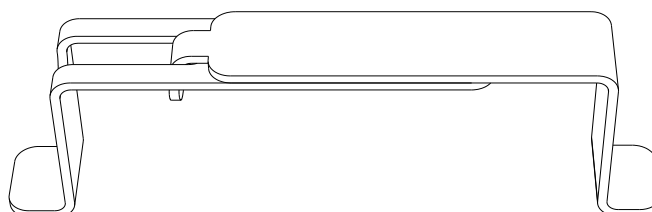
Main Body or Chimenea Dimensions:



Additional Parts & Accessories:

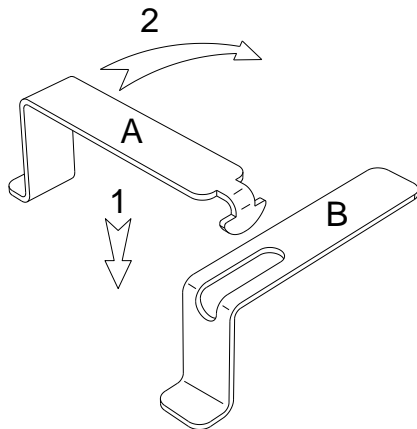


The **Sliding Lid Handle** is used to adjust the intensity of the flame by sliding the *Sliding Lid* backwards and forwards, and also to extinguish the flame by sliding the *Sliding Lid* into the closed position.

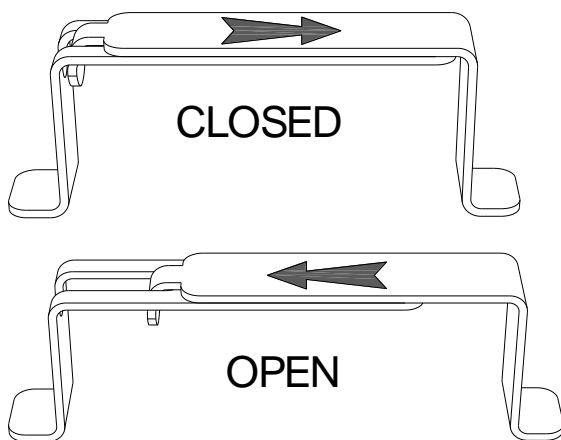


The **Lifting Handles** are supplied in order to remove the *Combustion Chamber* for refilling. They should never be used while there is still a flame in the *Combustion Chamber* or at high temperature. Wait 45 minutes after the *Combustion chamber* has been turned off before using the handles for refilling: see next page for how to operate.

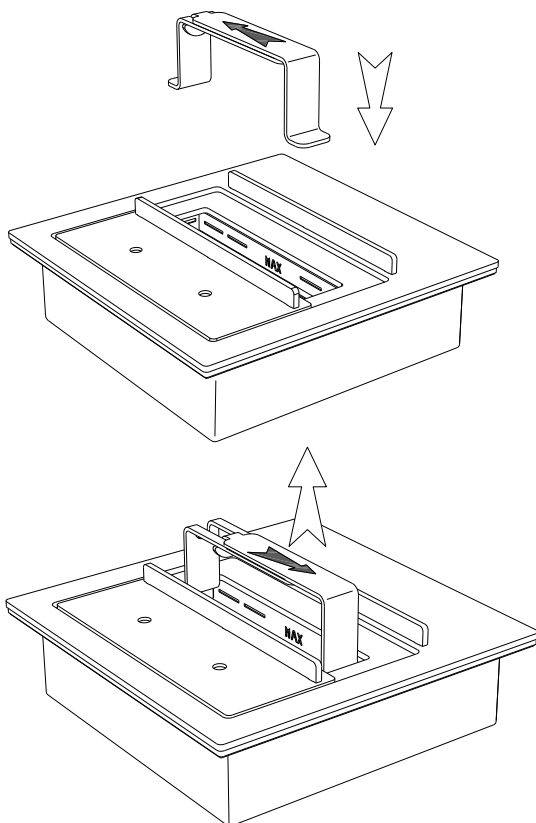
ADDITIONAL PARTS NAMES AND DESCRIPTIONS



The *Lifting Handle* is used to take the *Combustion Chamber* in and out of the *Mount Plate* inside the *Main Body* for filling and cleaning. Step 1 is to join Part A and Part B as shown to the left. Once you have placed the tag of Part A into the slot of Part B, then twist it 90 degrees to lock them as one handle.



Once both parts of the handle are clipped together as shown on the previous image, the handle can be slid into an open or a closed position as shown on the left. To use the handle correctly to lift the *Combustion Chamber* in and out of the *Mount Plate* inside the *Main Body*, follow the instructions below. It is very important than when handling the *Combustion Chamber* with the *Lifting Handles*, that the combustion chamber be kept as level as possible to avoid spilling of fuel.

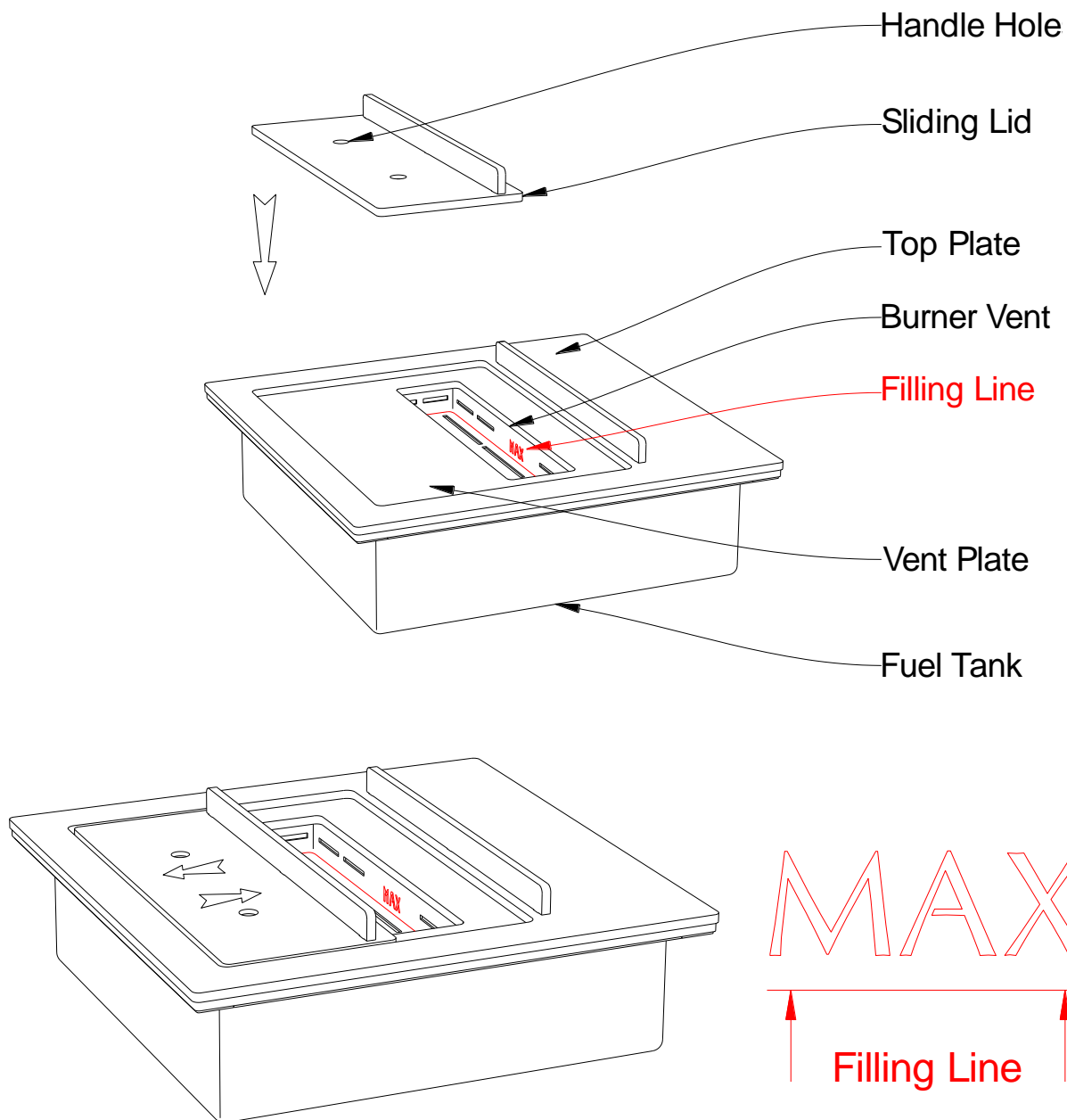


With the handle in the closed position, lower the flat tabs at the bottom of the *Lifting Handle* into the *Burner Vent* opening of the *Combustion Chamber*.

When the flat ends of the *Lifting Handles* are all the way inside the *Combustion Chamber*, slide the handle into the open position as far as it will go. Grip the handles Parts A and Part B firmly with one hand in the fully open position, then lift and insert the *Combustion Chamber* inside the *Mount Plate*.

COMBUSTION CHAMBE PARTS NAMES AND DESCRIPTIONS

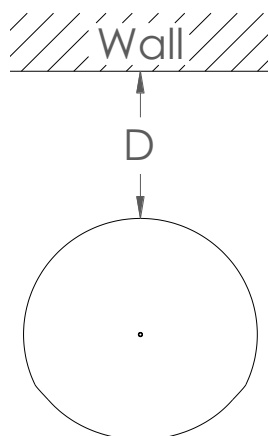
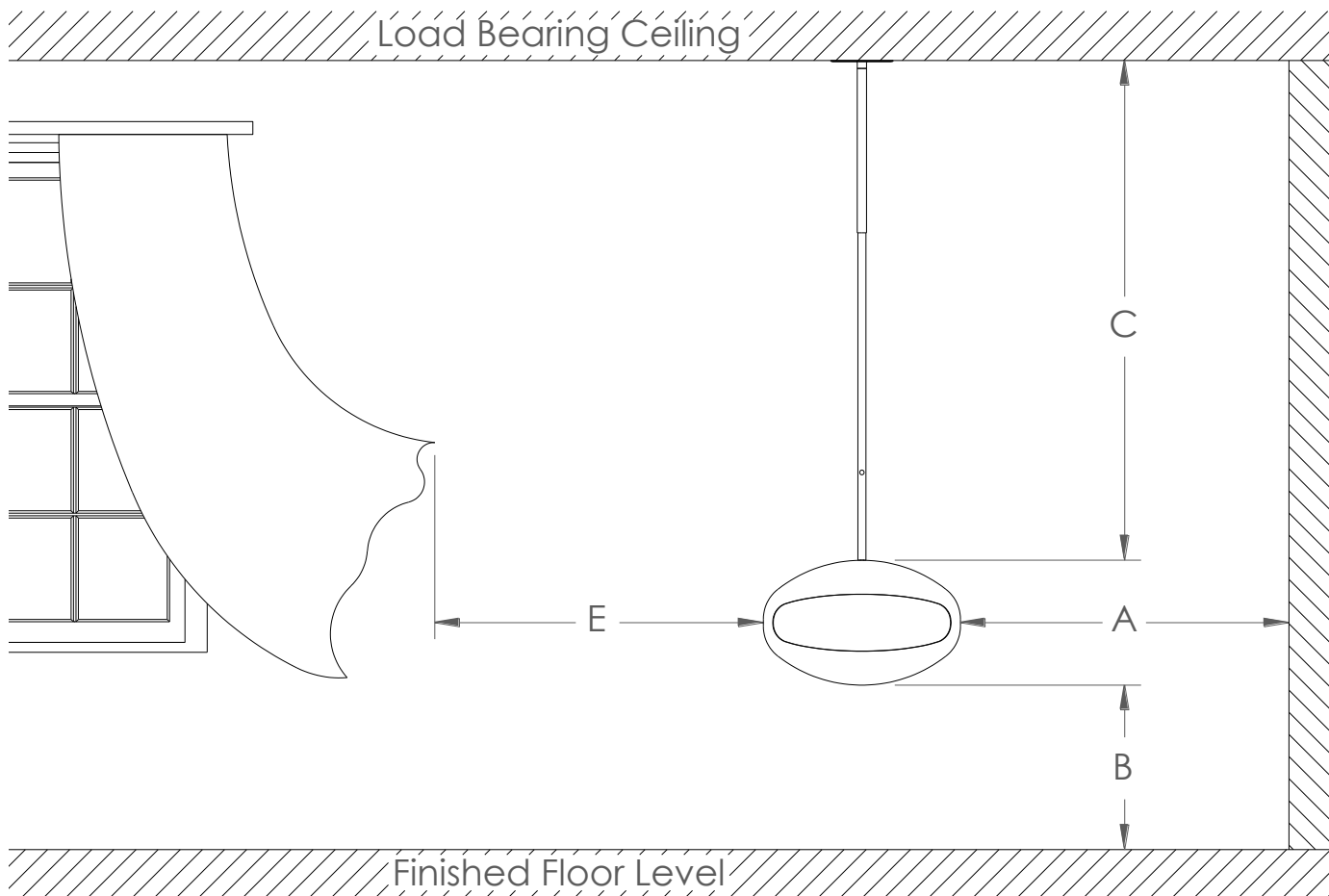
Combustion Chamber:



SAFETY & CLEARANCE

WARNING:

- Aim opening away from flammable objects or surfaces.
- Ceiling mounting surface must be load bearing and be able to support a minimum mass of 150 kg / 330 lb or more. Total product weight is 27 kg / 59.5 lb



MINIMUM DISTANCES:

- A - 10,2 cm - 4 in - min to **non-combustible** material
- B - 38,1 cm - 15 in - min
- C - 102 cm - 40 in - min
- D - 3,8 cm - 1,5 in - min to **non-combustible** wall
- E - 102cm - 40 in - min distance to **combustible** items

Chiminea ↑ Opening, ensure no combustible materials within 1 meter of opening!

SAFETY & CLEARANCE

NOTE: In all cases, the *Chimenea* must:

- be installed onto load bearing material ONLY;
- be installed in low traffic areas to avoid injury to persons moving around and to avoid the *Chimenea* being bumped which may cause fuel to spill.
- have all gas connections or pipelines near *Chimenea* installation must be disconnected and made safe by an appropriately qualified professional prior to installation;
- be installed onto a load bearing, level and secure position before filling, lighting and operating;
- be installed in a position that limits relocation requirements to eliminate the risk of accidents caused by fuel spillage. This *Chimenea* is designed to be relocated but *Combustion Chamber* must be removed from the *Main Body* before relocating to avoid fuel spillage;
- NOT be installed directly beside or near wallpaper, laminate, veneer or any surface that has not been fire rated and considered combustible.
- A minimum of 102 cm radius to any combustible material.
- NOT be within the reach of any objects that are not fixed in position and can be moved by the wind or bumped over easily i.e. curtains, blankets, newspapers etc.

KEEP HANDY A CLASS ABE FIRE EXTINGUISHER!

USE CORRECT FUEL – BIOETHANOL

FUEL IS TO BE STORED IN A FIRE SAFE AREA AND IS TO BE DONE IN ACCORDANCE WITH NATIONAL AND/OR REGIONAL REGULATIONS.

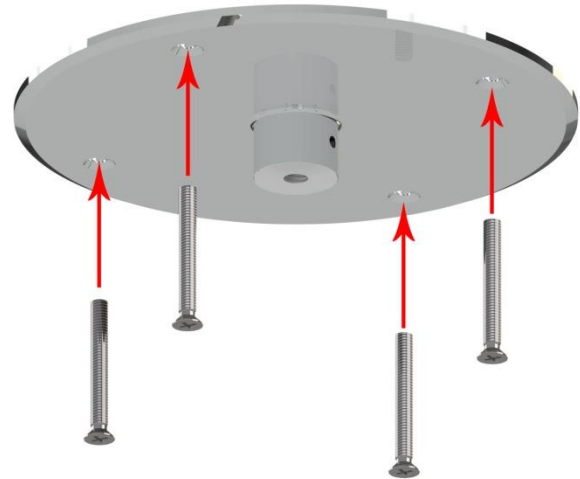
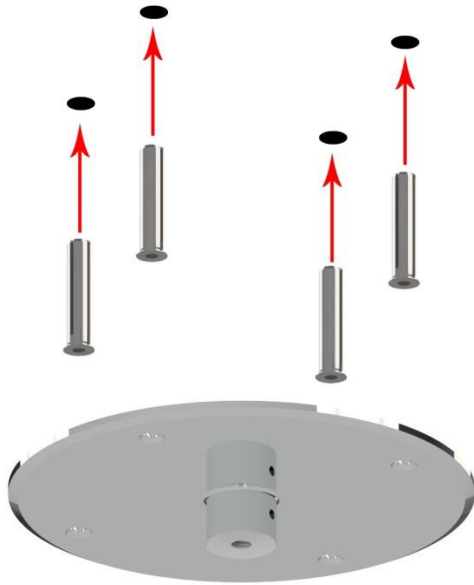
WARNING:

In a house of typical construction, that is, one that is not of unusually tight construction due to heavy insulation and tight seals against air infiltration, an adequate supply of air for combustion and ventilation is provided through infiltration. However, if the unvented decorative appliance is used in a small room where less than 200 cubic feet (5,7 m³) of air space is provided for each 1000 Btu per hour of unvented decorative appliance rating (considering the maximum burner adjustment), the door(s) to adjacent room(s) should be kept open or a window to the outside should be opened at least 1 inch (2,4 cm) to guard against potential build-up of indoor air pollution. Do not use the unvented decorative appliance in a bathroom, a room(s) where sleeping accommodation is provided or any other small room(s).

MINIMUM ROOM SIZE 60m³

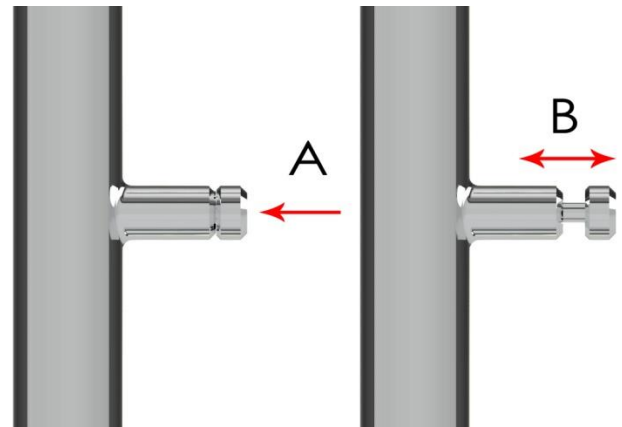
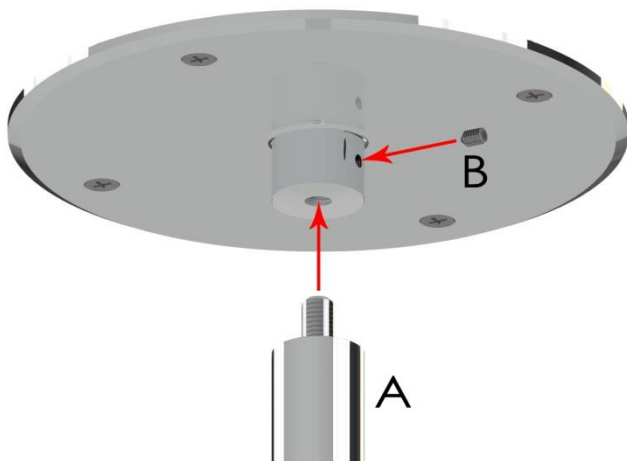
STAINLESS STEEL FIXED CEILING BASE - INSTALLATION & ADJUSTMENT

NOTE: The Cocoon Aeris Hanging Models may only be fitted onto a load bearing surface that can handle 150kg or more. Plastic fixings may not be used otherwise they could melt from the heat of the fire, all fixings must be metal. When selecting your fixings, please consult the relevant Health and Safety regulations, as well as the relevant National Building Regulations set forward by the governing bodies of the country in which the installation is to occur.



STEP 1 - Mark and drill 4 holes into the load bearing surface and insert the corresponding metal anchor dowels into the holes (fasteners are not provided). The holes in the Fixed Ceiling Base are $\varnothing 7\text{mm}$.

STEP 2 - Secure the Fixed Ceiling Base to the load bearing surface using steel screws or bolts, depending on the structure it is being secured to (fasteners are not provided). The holes in the Fixed Ceiling Base are $\varnothing 7\text{mm}$.



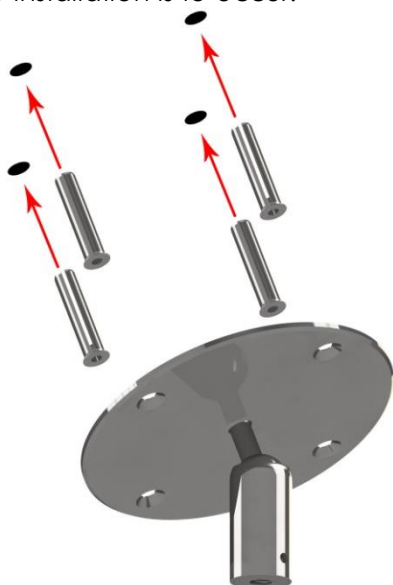
STEP 3 - Screw in Extension Poles or Stainless Steel Hanging System (A) into the corresponding threaded hole in the Fixed Ceiling Base and secure it with the Security Screw (B).

STEP 4 - Adjust the height of the extension bar system by pulling the security pin on the side and raising or lowering the bar. fig (A) shows the security pin on the locked position.

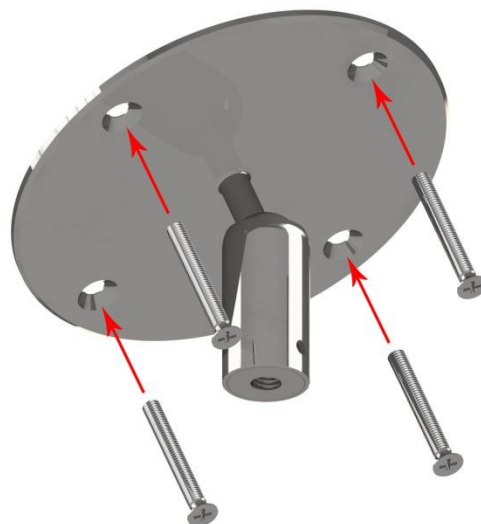
NOTE: that all of the Security Screws are essential for safety and must be securely fitted after screwing the Stainless Steel Hanging System or Extension Poles to the Fixed Ceiling Base, and at every subsequent pole to pole connection thereafter.

STAINLESS STEEL ANGLED CEILING BASE - INSTALLATION & ADJUSTMENT

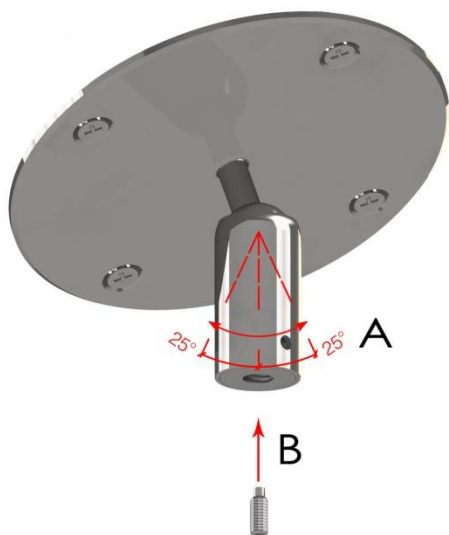
NOTE: The Cocoon Aeris Hanging Models may only be fitted onto a load bearing surface that can handle 150kg or more. Plastic fixings may not be used otherwise they could melt from the heat of the fire, all fixings must be metal. When selecting your fixings, please consult the relevant Health and Safety regulations, as well as the relevant National Building Regulations set forward by the governing bodies of the country in which the installation is to occur.



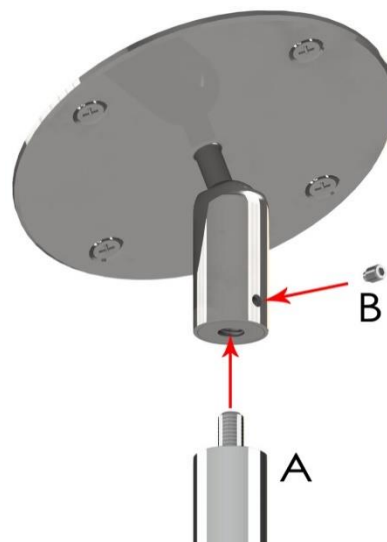
STEP 1 - Mark and drill 4 holes into the load bearing surface and insert the corresponding metal anchor dowels into the holes (fasteners are not provided). The holes in the Fixed Ceiling Base are $\text{\O}7\text{mm}$.



STEP 2 - Secure the Angled Ceiling Base to the load bearing surface using steel screws or bolts, depending on the structure it is being secured to (fasteners are not provided). The holes in the Angled Ceiling Base are $\text{\O}7\text{mm}$.



STEP 3 - The Stainless Steel Angled Ceiling Base allows for a maximum angle of 25 degrees, this is the maximum angle the load bearing surface. Once the fixing collar (A) is vertical, secure in place with Safety Screw (B).

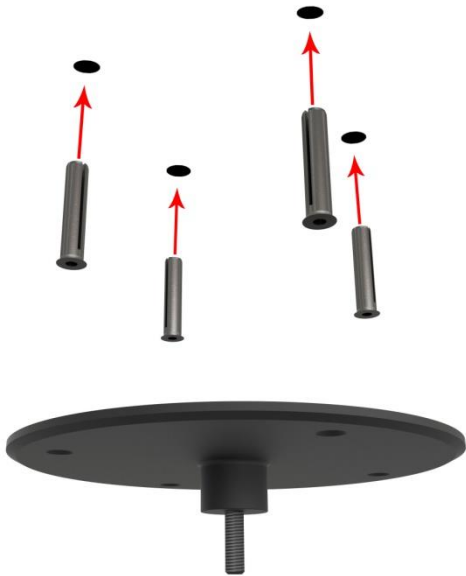


STEP 4 - Screw in Extension Poles or Stainless Steel Hanging System (A) into the corresponding threaded hole in the Angled Ceiling Base and secure it with the Security Screw (B). The height adjustment of the Stainless Steel Hanging System is the same as indicated for the Fixed Ceiling Base.

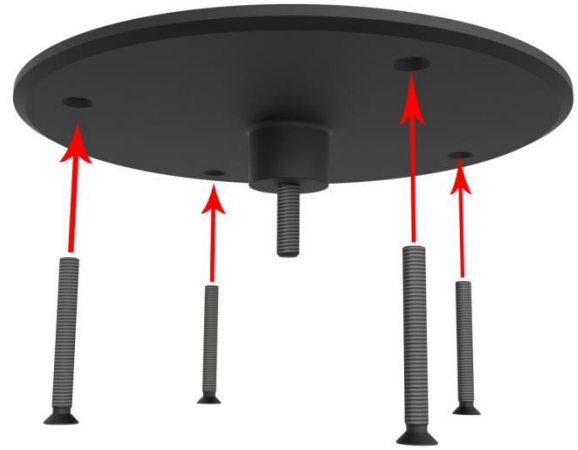
NOTE: that all of the Security Screws are essential for safety and must be securely fitted after screwing the Stainless Steel Hanging System or Extension Poles to the Angled Ceiling Base, and at every subsequent pole to pole connection thereafter.

BLACK FIXED CEILING BASE - INSTALLATION & ADJUSTMENT

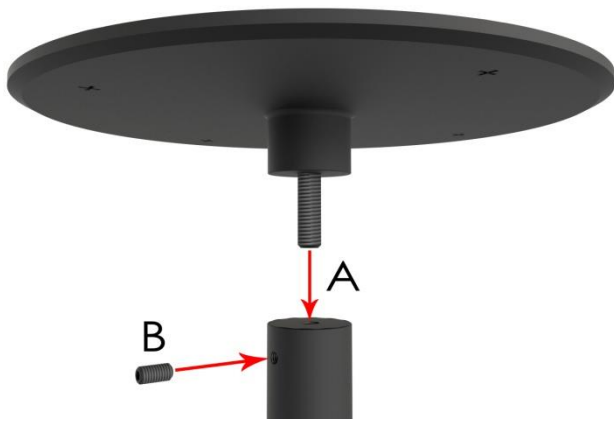
NOTE: The Cocoon Aeris Hanging Models may only be fitted onto a load bearing surface that can handle 150kg or more. Plastic fixings may not be used otherwise they could melt from the heat of the fire, all fixings must be metal. When selecting your fixings, please consult the relevant Health and Safety regulations, as well as the relevant National Building Regulations set forward by the governing bodies of the country in which the installation is to occur.



STEP 1 - Mark and drill 4 holes into the load bearing surface and insert the corresponding metal anchor dowels into the holes (anchor dowels are not provided). The holes in the Fixed Ceiling Base are $\varnothing 7\text{mm}$.

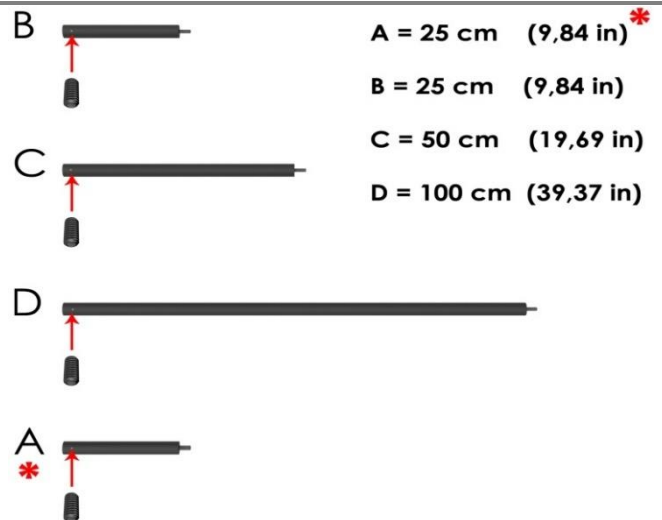


STEP 2 - Secure the Fixed Ceiling Base to the load bearing surface using steel screws or bolts, depending on the structure it is being secured to (anchor dowels are not provided). The holes in the Fixed Ceiling Base are $\varnothing 7\text{mm}$.



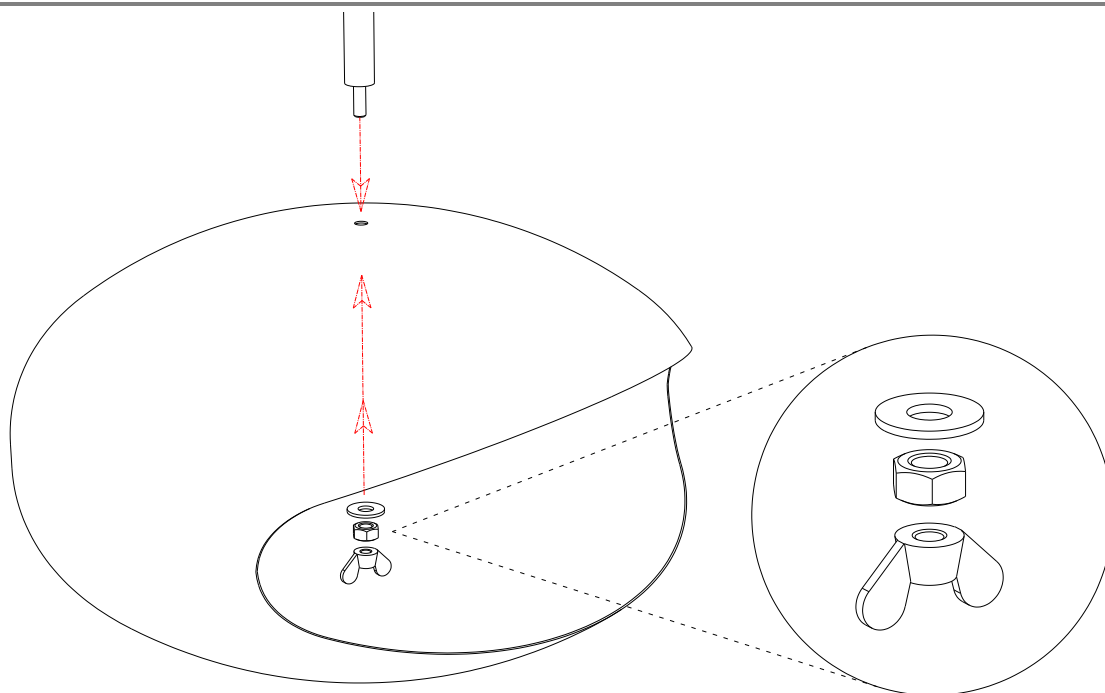
STEP 3 - Screw in Extension Poles (A) into the corresponding threaded hole in the Fixed Ceiling Base and secure it with the Security Screw (B).

NOTE: that all of the Security Screws are essential for safety and must be securely fitted after screwing the Hanging System or Extension Poles to the Ceiling Base, and at every subsequent pole to pole connection thereafter.



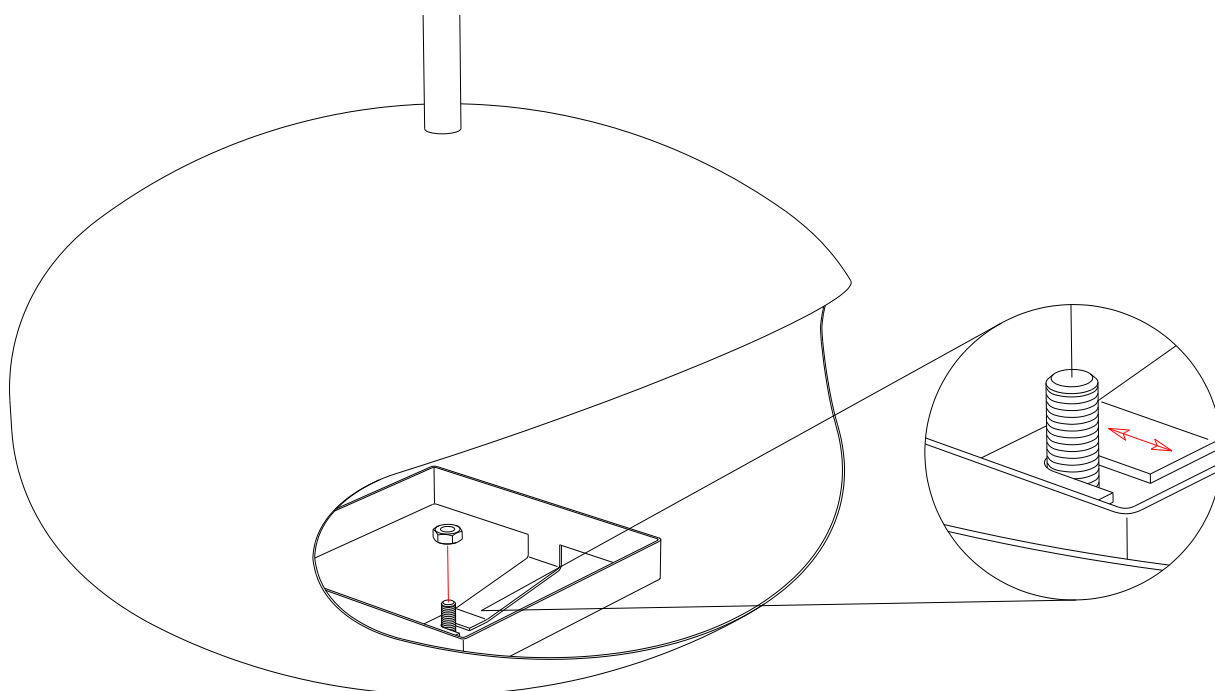
STEP 4 - The finished height of the Black Hanging System is made up of a combination of the Extension Poles (B, C & D). The Connection Pole (A) is NOT OPTIONAL* and must be connected to the Main Body with the washer, hex nut and wing nut supplied.

HANGING MODEL INSTALLATION & ADJUSTMENTS



Position the *Main Body* onto the threaded end of the *Connection Pole* and secure from inside with first the washer, then the hex type nut and finally the wing type nut.

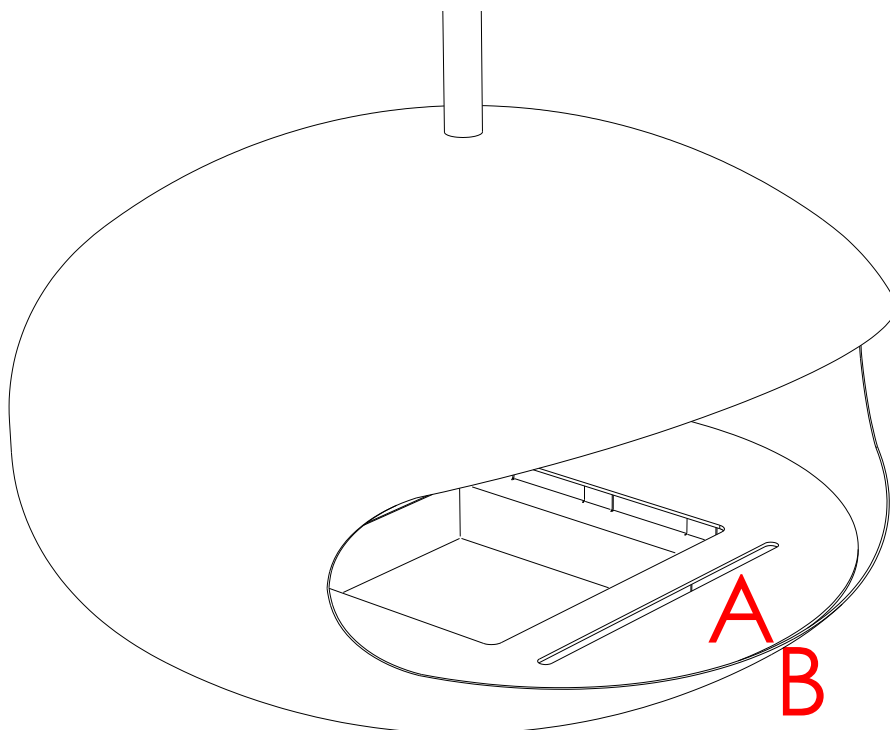
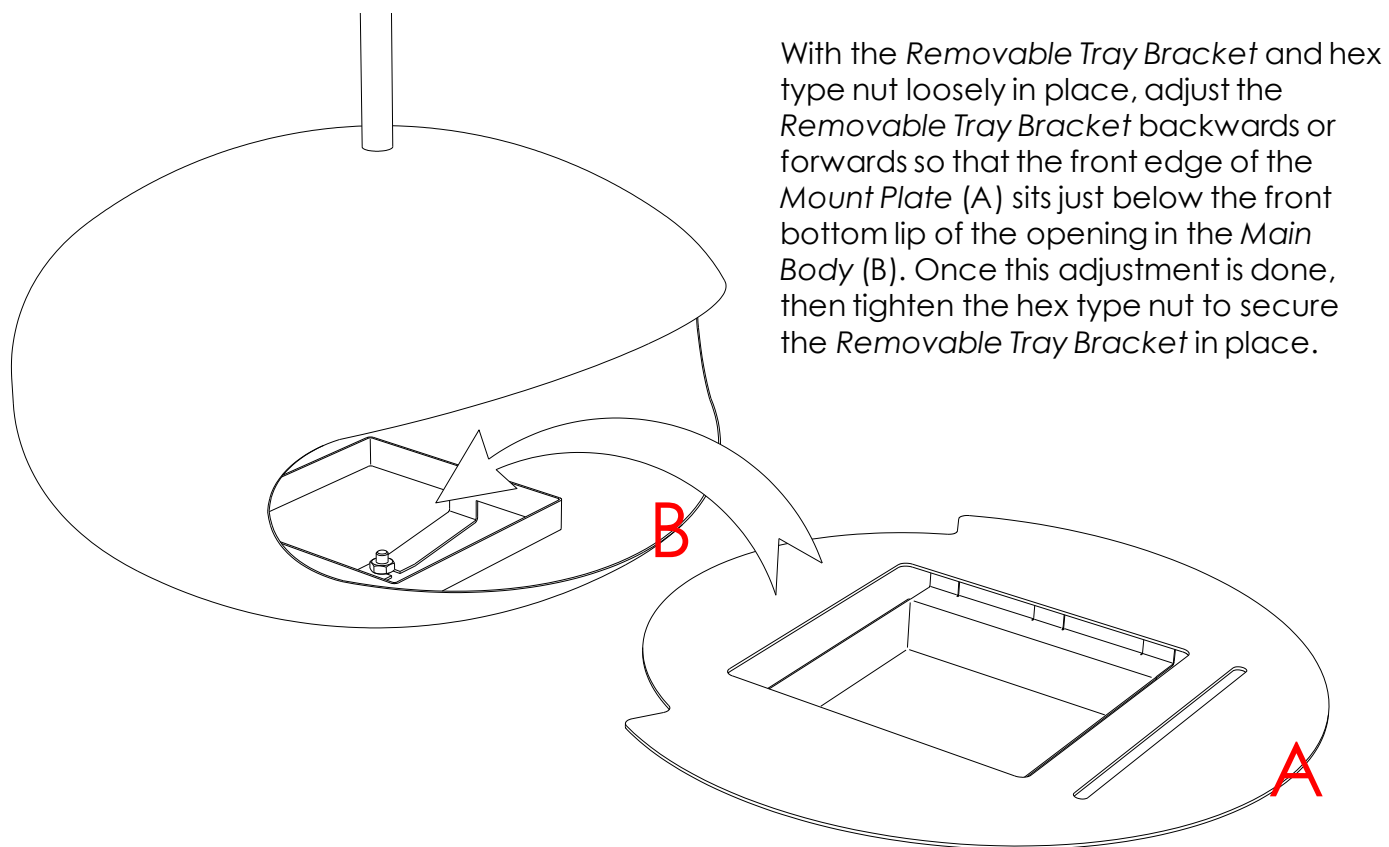
NOTE: The wing type nut is a security lock for yours and the safety of others.



Position the *Movable Tray Bracket* over the threaded stud at the base of the *Main Body* and adjust according to the instructions on the following page before securing with hex nut.

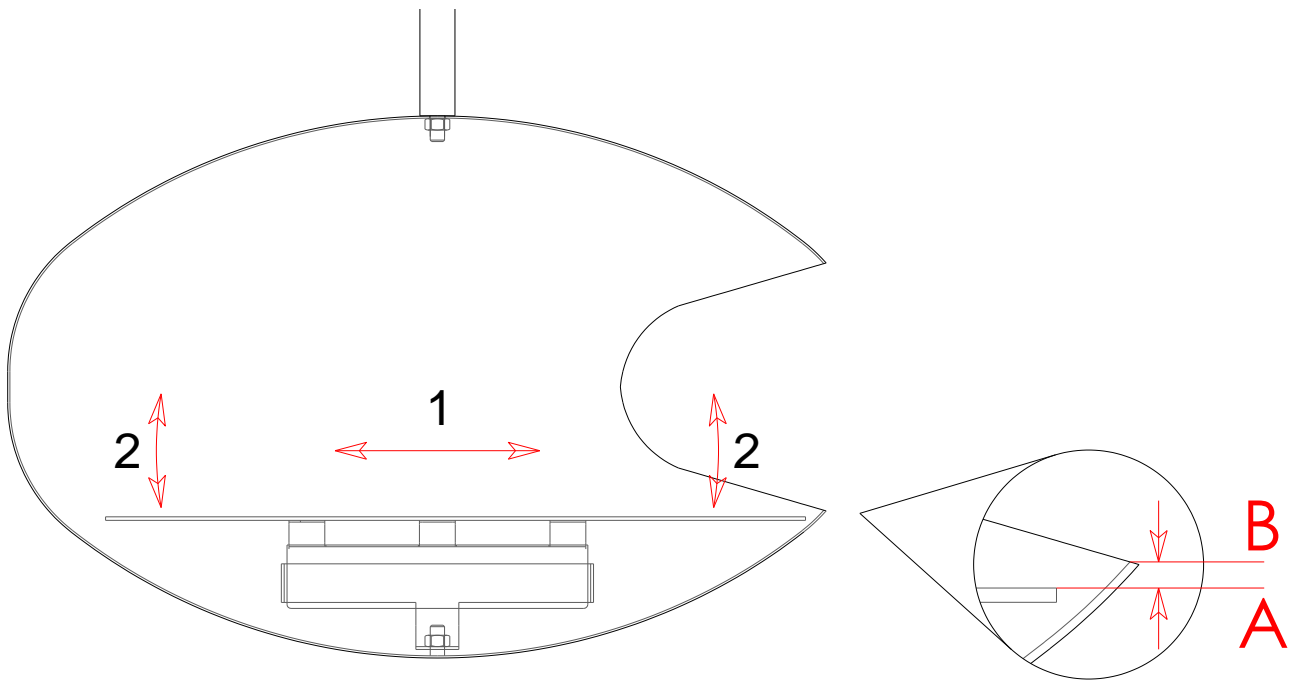
NOTE: adjustment instructions on the following page are critical to proper functioning of the *Combustion Chamber*.

HANGING MODEL INSTALLATION & ADJUSTMENTS



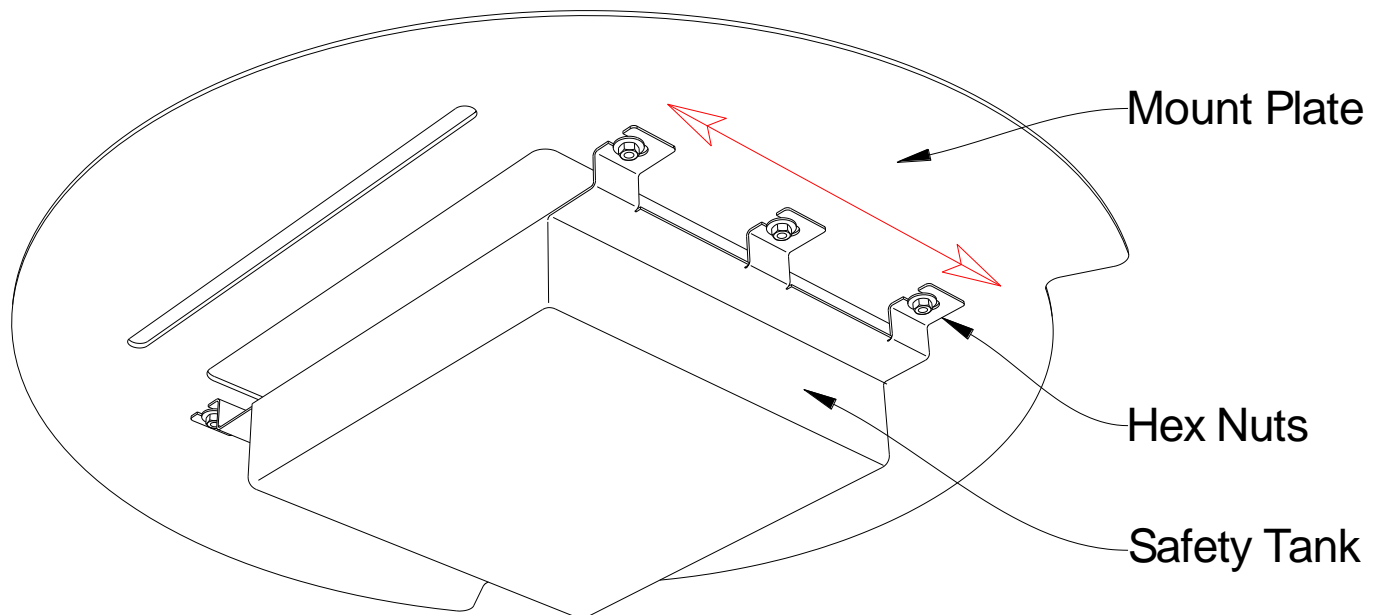
NOTE: adjustment instructions on the following page showing relative positions of (A) and (B) shown above are critical to the airflow inside the *Main Body* and therefore critical to the proper functioning of the *Combustion Chamber*.

HANGING MODEL INSTALLATION & ADJUSTMENTS



By finely adjusting the *Removable Tray Bracket* backward and forward (1) allows for the necessary adjustment in height (2) of the *Mount Plate*.

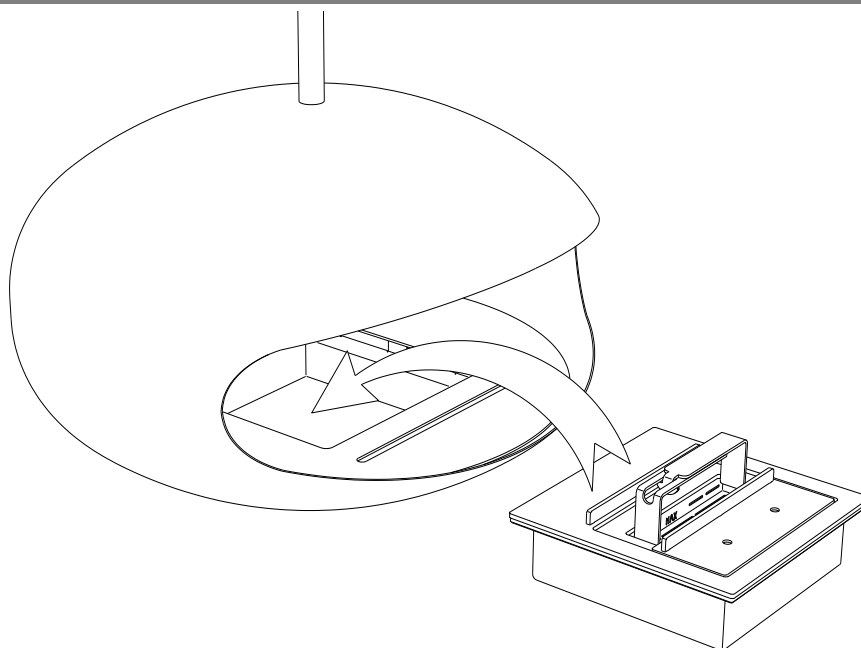
NOTE: the front edge of the *Mount Plate* (A) must be just below the front bottom lip of the opening in the *Main Body* (B).



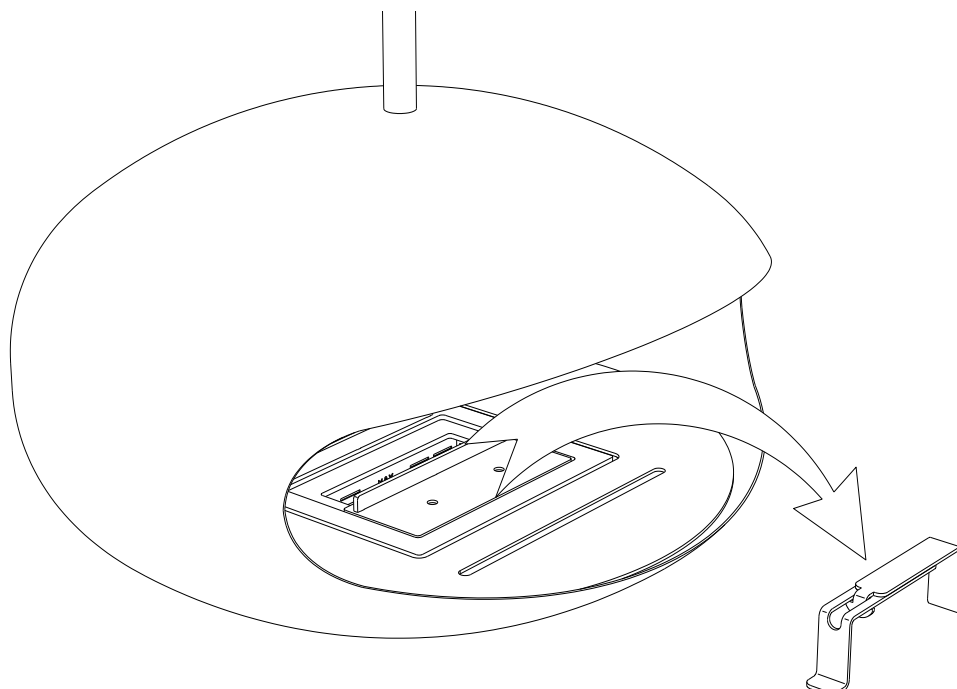
Further adjustment to the position of the *Mount Plate* can be achieved by loosening the 6 hex nuts below the *Mount Plate* and sliding the *Safety Tank* front to back slightly. Always make sure that the *Safety Tank* below the *Mount plate* is properly secured after this adjustment.

NOTE: every time you fill the *Combustion Chamber*, this *safety tank* should be checked for residual fuel to ensure that there is no fuel leaking from the *Fuel Tank*.

HANGING MODEL INSTALLATION & ADJUSTMENTS



With the *Mount Plate* in the correct position and secured in place with the hex nut, the *Combustion Chamber* can now be placed inside and taken off the *Mount Plate* opening using the *Lifting Handles* supplied as shown on the previous pages.



Your Cocoon Burner is now ready to use, follow the steps on the following pages to correctly and safely fill, ignite, adjust, shut off and refill the Combustion Chamber. Always make sure the Lifting Handles are removed from the Combustion Chamber as shown above when it is not in use otherwise these parts will become too hot to touch and may cause injury.

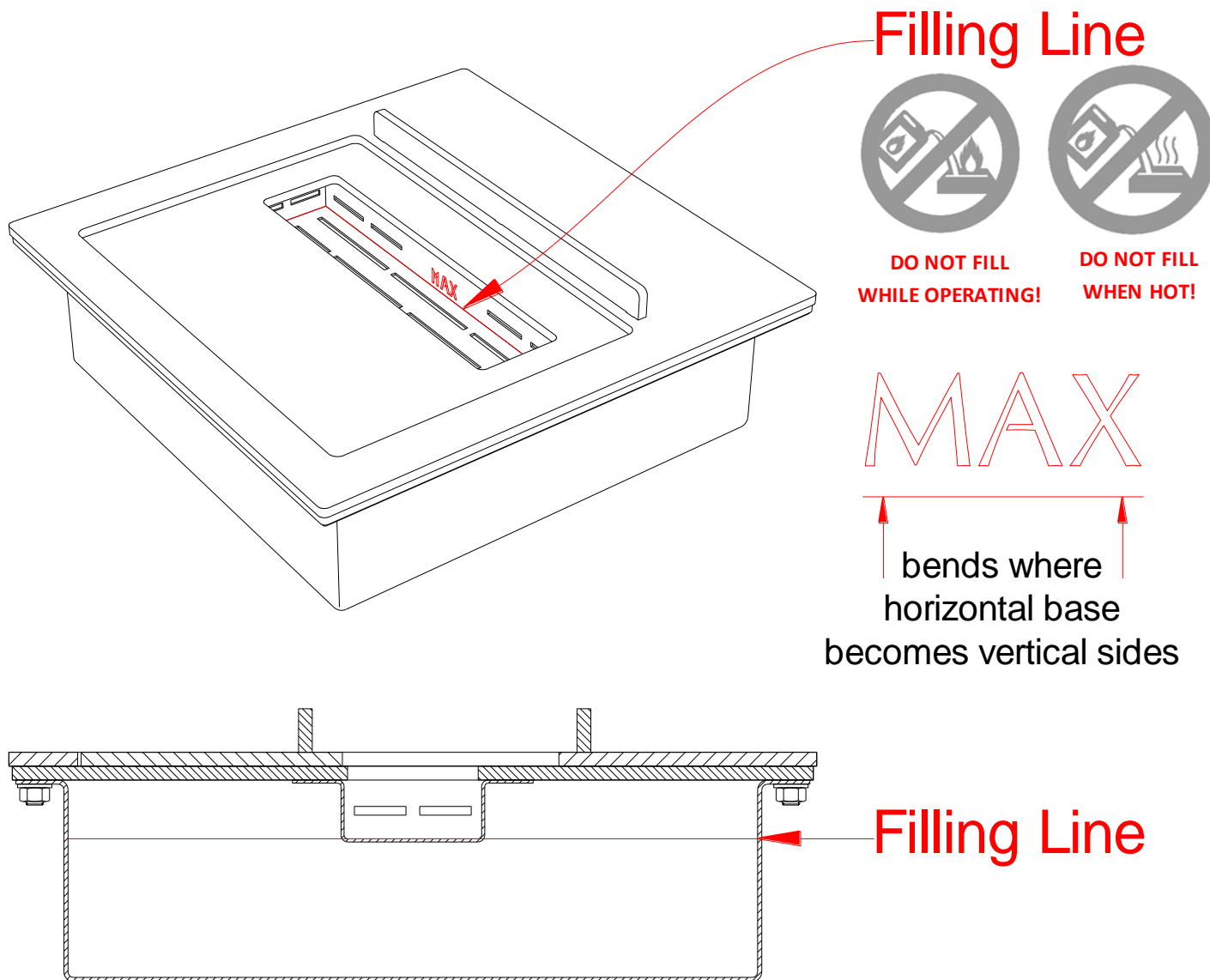
TROUBLESHOOTING AND OPERATIONAL TIPS

- The **first fill** will take longer as the material inside the *Fuel Tank* will absorb the fuel. Subsequent filling should be quicker. Take care to not fill the *Combustion Chamber* at a faster rate than what the material inside can absorb the fuel.
- If the fire **does not extinguish** the first time by closing the *Sliding Lid* follow these steps and repeat if necessary.
 - Check that the surface below the *Sliding Lid* is clean and free from obstruction.
 - Using the *Sliding Lid Handle*, apply downward force and in one quick motion move the *Sliding Lid* towards the closed position. If the flame is still visible repeat this step as a double motion still applying strong downward force in quick succession.
- **Never blow on the flame** whilst the *Sliding Lid* is in an open position.
- If after some time you find the *Sliding Lid* has **become 'sticky'** when attempting to move it then remove the *Sliding Lid* from its housing and rub the underside using the green side of a Scotch Bright scouring pad. Take care to only scrub in the direction of the brushing lines of the stainless steel.
- Make sure you keep your *Combustion Chamber* clean especially the surface that the *Sliding Lid* slides on and ensure that any excess fuel on the surface of the *Combustion Chamber* is wiped off before use.
- **MAKE SURE THAT ALL PARTS HAVE COOLED OFF COMPLETELY BEFORE CLEANING:**
 - To clean dust, wipe with a dry cloth or sponge.
 - To clean stainless steel parts, use bioethanol or Acetone.
 - Make sure the *Sliding Lid* for the *Combustion Chamber* slides correctly and fully after cleaning and that any excess cleaning product has been wiped off completely.

OPERATING THE COCOON BURNER

NOTE: Overfilling will cause the apparatus to burn at higher temperature rates resulting in the apparatus being difficult to turn off.

IMPORTANT: Please ensure the burner is removed from the *Main Body* before filling with fuel.



Fuel Capacity	Thermal Output kW	Heats on Average	Consumption	Burning Time
1.5L	3.02	35m2	0.39 L/H	3-5 Hours

To fill the *Combustion Chamber*, remove it from the *Main Body* using the *Lifting Handles* and pour fuel inside the *Vent Opening* being careful not to spill. Fill up to the fill line as indicated in red with no more than 1.5L of fuel (3-5 hrs burning time). After filling is done, wipe away any spilled or excess fuel before returning the *Combustion Chamber* to the *Mount Plate* opening.

NOTE: after filling the **Combustion Chamber**, place the fuel dispenser used to fill it with and any other forms of fuel or combustible items at a safe distance away before proceeding to start the fireplace.

PROCEDURE IF BURNER IS OVERFILLED:

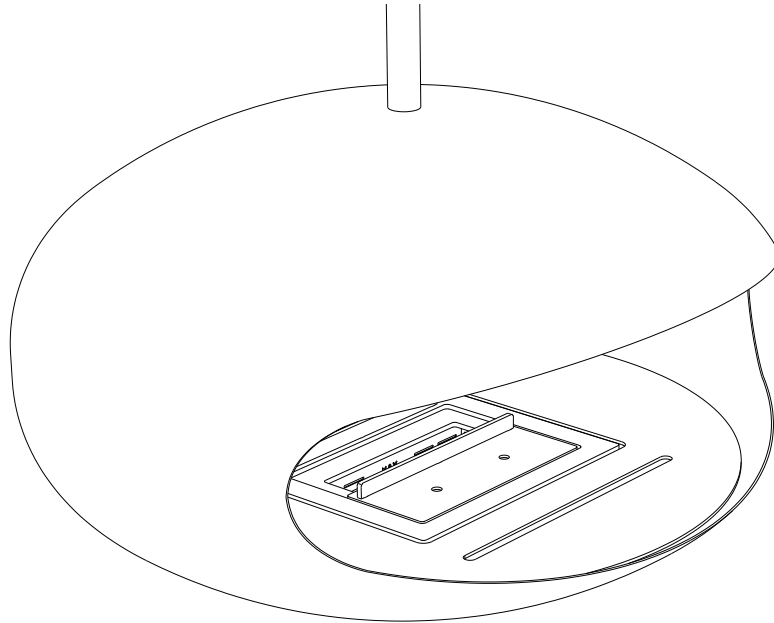
In case of accidental overfilling of the *Fuel Tank*, follow these steps:

- **NEVER** ignite the *Combustion Chamber* if it is filled past the "**MAX**" filling line shown above. Remove the *Combustion Chamber* from the *Chimenea*, using the *lifting Handles*.
- Empty the excess fuel into a suitable container.
- Wipe off all excess fuel that may have dripped on the outside of the *Combustion Chamber* during emptying and allow any residual fuel to evaporate. Leave for 1 hour.
- Place the *Combustion Chamber* back into *Chimenea*.
- Ignite the *Combustion Chamber* only once all residual fuel outside the *Combustion Chamber* has completely evaporated and the container used to fill it has been sealed and moved to a safe distance from the *Combustion Chamber*.

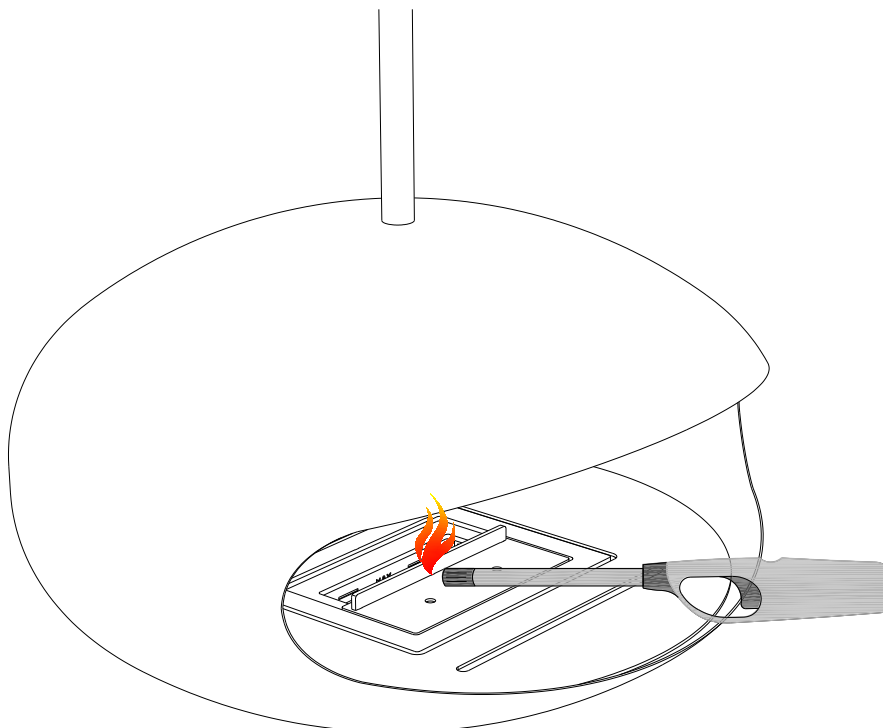
CAUTION

- **Make sure you have read and understood this manual before using this product.**
- **Do not overfill or spill fuel when refilling.**
- **If fuel is spilled, wipe with a dry cloth and allow the rest to evaporate before introducing a flame to the Combustion Chamber.**
- **To refill, wait until the burner is at the room temperature after the flame has been turned off.**
NOTE: the flame may not be visible to the naked eye in daylight.
- **Never refill over or near an open flame.**
- **Remove all plastic & packaging before using the burner.**

IGNITING THE COMBUSTION CHAMBER

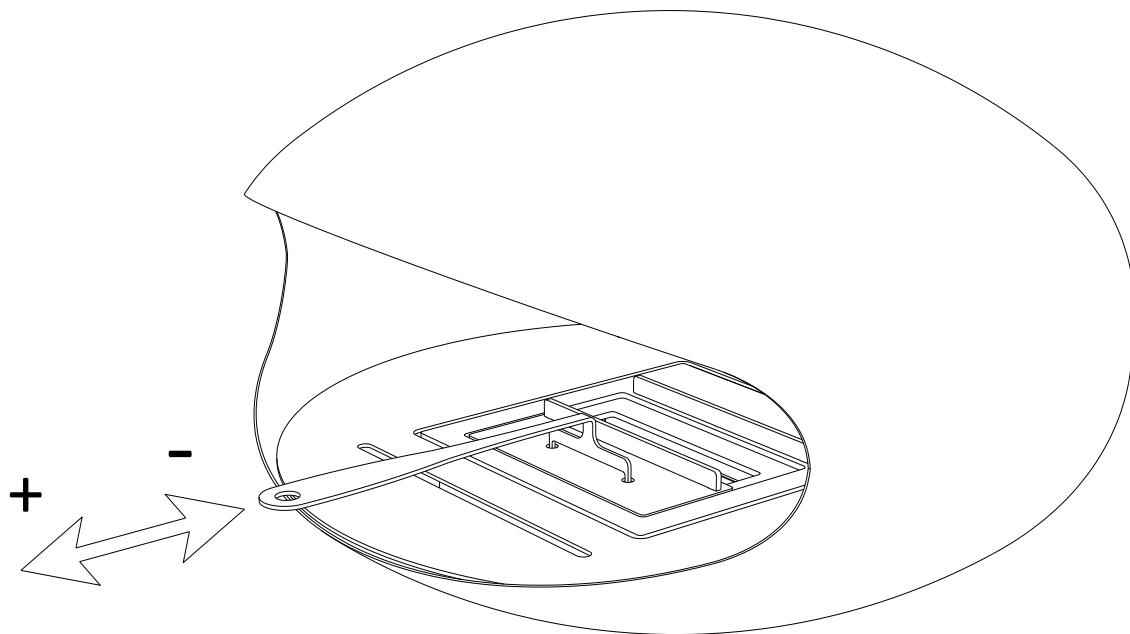


Once all spilled or residual fuel has been wiped clean, and all other forms of fuel have been sealed and moved to a safe distance from the *Combustion Chamber*, and the *Combustion Chamber* has been placed back inside the *Chimenea* as indicated above, it is safe to consider igniting the *Combustion Chamber*.

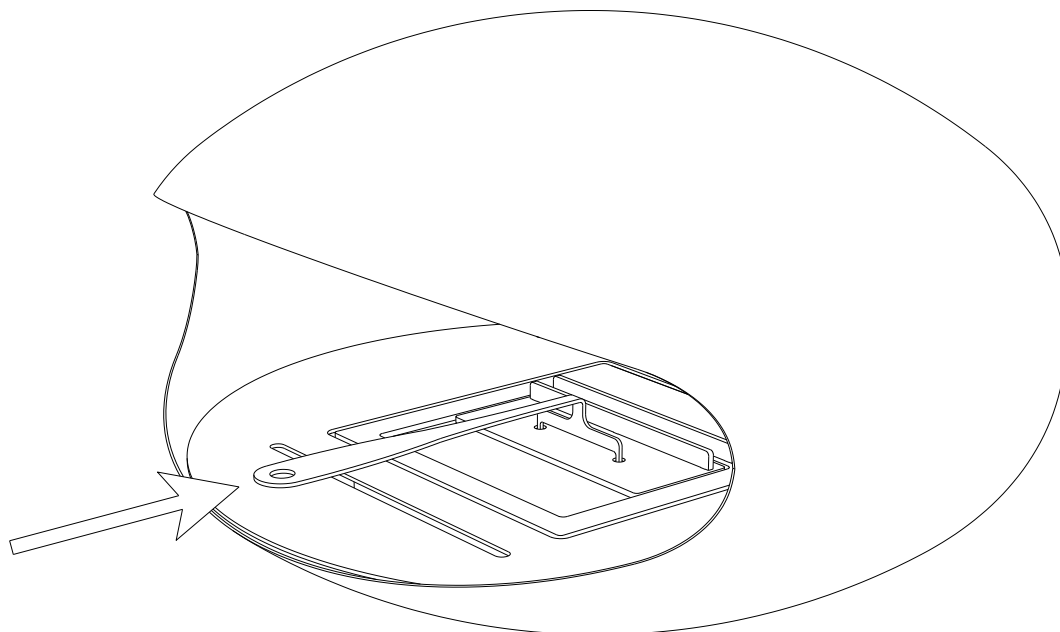


Using a long arm fire lighter and standing at a safe distance from the *Combustion Chamber* carefully introduce a flame as indicated above to ignite the *Combustion Chamber*. Always make sure there is a Class ABE fire extinguisher close at hand when igniting the *Combustion Chamber*.

REGULATING AND EXTINGUISHING THE FLAME



To regulate the flame, insert the tips of the *Sliding Lid Handle* into the holes of the *Sliding Lid* of the *Combustion Chamber* and slide backwards or forwards to regulate the flame size.

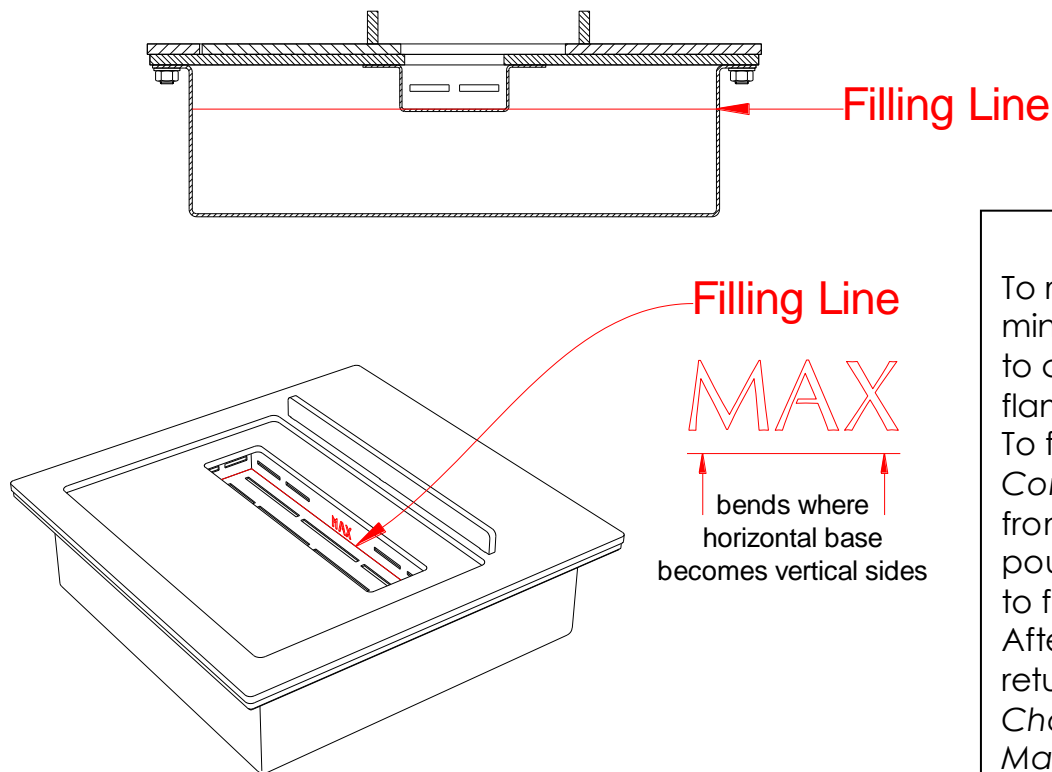


To extinguish the flame, insert the tips of the *Sliding Lid Handle* into the holes of the *Sliding Lid* of the *Combustion Chamber* and slide all the way forward until the flame is extinguished.

TO REFILL THE COMBUSTION CHAMBER

NEVER REFILL OR IGNITE THE COMBUSTION CHAMBER WHEN IT IS IN A HOT STATE.

When refilling the *Combustion Chamber*, simply follow the same procedure indicated in the section headed "OPERATING THE COCOON BURNER" taking note of the CAUTION and WARNING on this page. **It is critical to the proper functioning of the Combustion Chamber that you do not overfill the fuel tank as indicated before.**



CAUTION

To refill wait at least 45 minutes for the burner to cool down after the flame has turned off. To fill remove *Combustion Chamber* from *Main Body* and pour fuel inside. Fill up to fill line of 1,5 liters. After filling is done return the *Combustion Chamber* inside the *Main Body*.

Maintenance & Periodic Servicing:

1. Periodic cleaning of unvented decorative appliance combustion surfaces is recommended as per section called TROUBLESHOOTING & OPERATIONAL TIPS.
2. Checking operation of *Sliding Lid* shutoff device should be done regularly.

Make sure the fireplace has cooled completely before cleaning.

To clean dust wipe with a dry cloth or sponge.

To clean stainless steel parts, use bioethanol or Acetone.

Make sure the *Sliding Lid* from the *Combustion Chamber* slides correctly, smoothly, and fully every time before igniting the *Combustion Chamber*.

WARNING

1. Risk of Explosion:
 - i) Never use any fuel other than the fuel specifically intended for use in the unvented decorative appliance. Never use gasoline.
 - ii) Never refill unvented decorative appliance fuel reservoir when unvented decorative appliance is operating or still hot.
 - iii) Never use unvented decorative appliance where flammable vapours or gas may be present.
 - iv) Never store or transport the fuel in other than a metal or plastic container that is:
 - A) Acceptable for use with the specific fuel;
 - B) Non-red in colour;
 - C) Is in the original container for the (specific alcohol) Fuel.
2. Never store fuel in the living space/same location as the appliance.
3. Due to high surface temperatures, keep children, clothing and furniture away.
4. Risk of Indoor Air Pollution – Use unvented decorative appliance only in well-ventilated areas and with door of adjacent room open. **Do not obstruct air flow to the fuel holder box by piling logs over the fuel holding box, but only around it and do not obstruct the fuel holder box in any other way or with any other material.** People with breathing problems should consult a physician before using the unvented decorative appliance.
5. Do not use unvented decorative appliance to heat or boil water or use a cooking appliance.
6. **Do not use in a room with Oxygen tanks in use.**



Patent Pending

®

info@cocoonfires.com