

BRITISH
FIRES



// ASHURST & BRAMSHAW ELECTRIC STOVES



BRITISH
FIRES

// ASHURST & BRAMSHAW ELECTRIC STOVES



// TABLE OF CONTENTS

ASHURST BARREL LED STOVE	3-10
Hexo Heater Grill	7-8
Openable Door	9-10
BRAMSHAW LED STOVE	11-24
Setup Options	13-18
Panoramic View	19-20
Hexo Heater Grill	21-22
Openable Door	23-24
ASHURST & BRAMSHAW FEATURES.....	25-38
Fuel-bed Options	27-28
Flame-effect & Fuel-bed Settings	29-30
Brightness Settings	31-32
Remote Control	33
Steel frame and paint finish	34
Optional stove pipe	35-36
Ashurst & Bramshaw Specifications	37-38
Contact, Terms & Conditions	39



// ASHURST BARREL LED ELECTRIC STOVE

The Ashurst LED stove features a traditional cylindrical design. With its well-crafted steel body and textured paint finish it is sure to stand out in any room.

Turn the heat up with the remote and enjoy a variety of flame and fuel bed displays.





ASHURST BARREL LED STOVE





// HEXO HEATER DESIGN

Subtle in appearance yet, efficient in heat disbursement. The Ashurst and Bramshaw both feature the hexagonal shaped outlets to create an interesting honeycomb texture while providing an effective heater outlet.



// 2.0 kW heater

// OPEN & SHUT CASE

In old log-burning stoves the door is opened to put logs on the fire. We wanted to keep this authentic feature from the past and took the opportunity to place the control panel behind it – out of view.





// Easy to open and close door

// BRAMSHAW LED ELECTRIC STOVE

The Bramshaw LED stove utilises a contemporary squared design with, panoramic, side view ports.

The sturdy steel-body design can be setup in three different methods: Wall-hung, Log Storage, or Base Stand.

Set the temperature with the remote and create the right ambiance by choosing from a variety of flame and fuel bed displays.





BRAMSHAW LED ELECTRIC STOVE

// THREE SETUP OPTIONS:

LOG STORAGE

BASE STAND

WALL-HUNG



// Stove Pipe info on page 35–36

// Log Storage



BRAMSHAW LED ELECTRIC STOVE

// THREE SETUP OPTIONS:

LOG STORAGE

BASE STAND

WALL-HUNG





// Base Stand

BRAMSHAW LED ELECTRIC STOVE

// THREE SETUP OPTIONS:

LOG STORAGE

BASE STAND

WALL-HUNG





// Wall Hung

// PANO VIEW

Watch the flames dance behind the glass from all sides. Bramshaw incorporates a panoramic style view with windows on all three sides of the fire box. This design creates an extra glow and more ambient light.

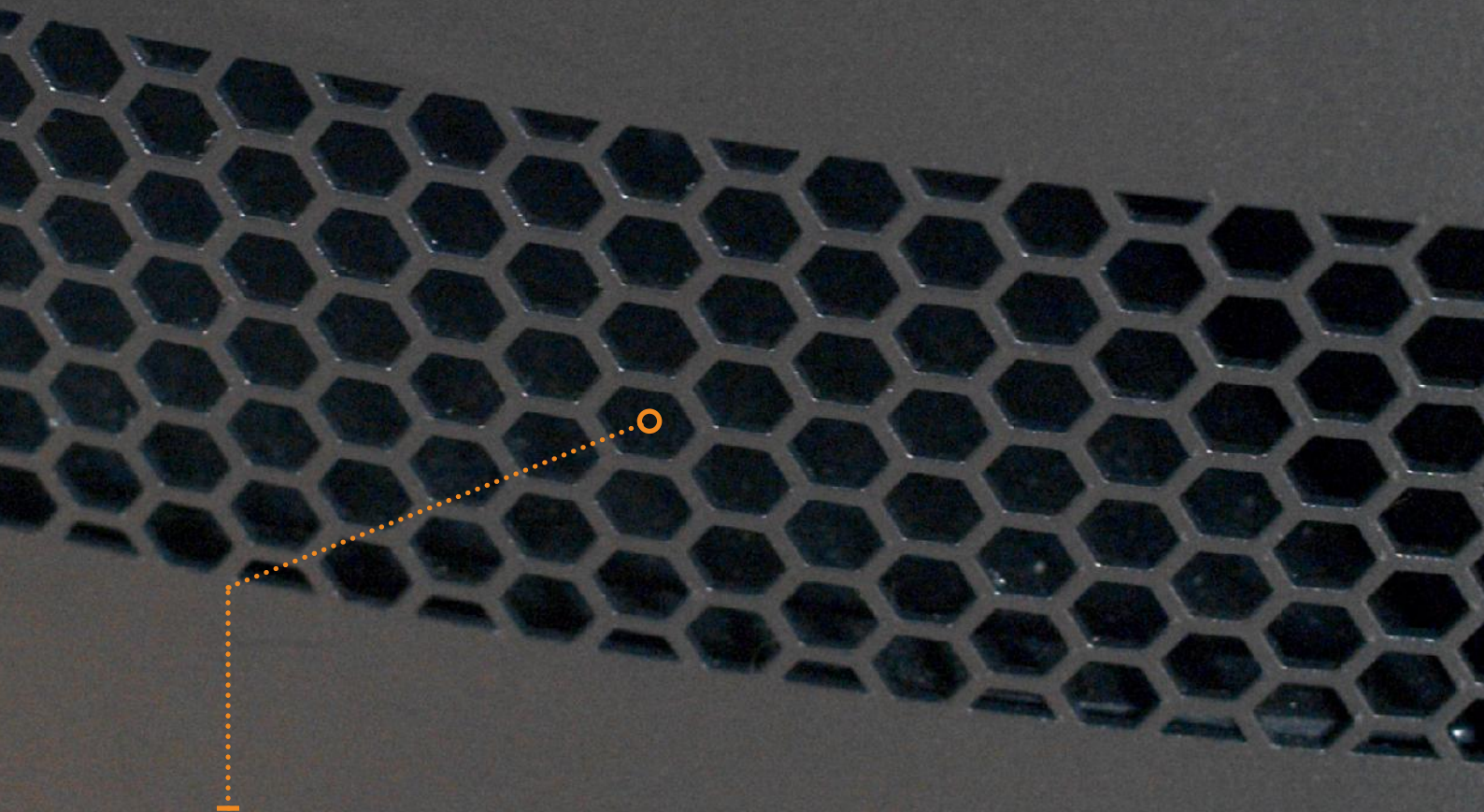




// Panoramic side viewing

// HEXO HEATER DESIGN

Subtle in appearance yet, efficient in heat disbursement. The Ashurst and Bramshaw both feature the hexagonal shaped outlets to create an interesting honeycomb texture while providing an effective heater outlet.



// 2.0 kW heater

// OPEN & SHUT CASE

In old log-burning stoves the door is opened to put logs on the fire. We wanted to keep this authentic feature from the past and took the opportunity to place the control panel behind it – out of view.



// Easy to open and close door

// STOVE FEATURES



Ashurst



Bramshaw

// FUEL BED OPTIONS

AVAILABLE FOR ASHURST AND BRAMSHAW

The choice of fuel-bed is all yours. Select either the Real Log or the Glowing Log fuel bed for either of the two stove designs.

REAL LOG STYLE FUEL-BED

These real-style logs are mobile so you can arrange them as you see fit, on top of a glowing coal-effect bed.



GLOWING LOG FUEL-BED

A glowing, static, fuel-bed creates a bright and warm focal point.



// FLAME-EFFECT & FUEL-BED SETTINGS

REAL LOG STYLE FUEL BED

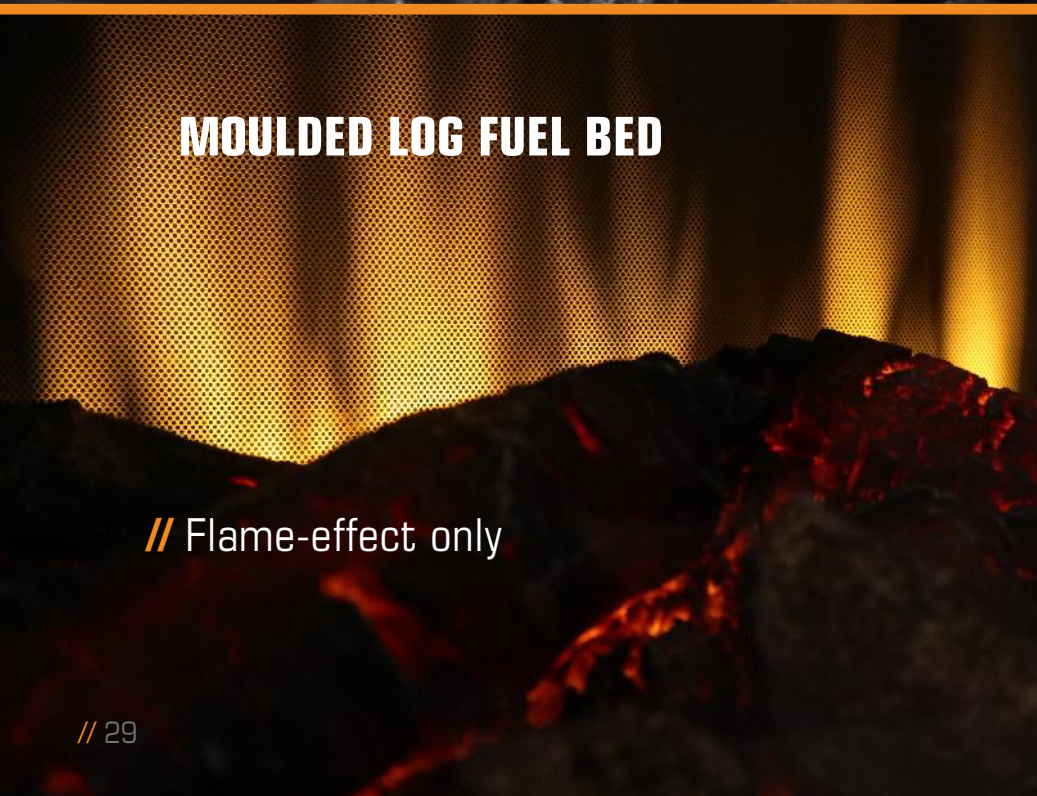


// Flame-effect only



// Coal bed only

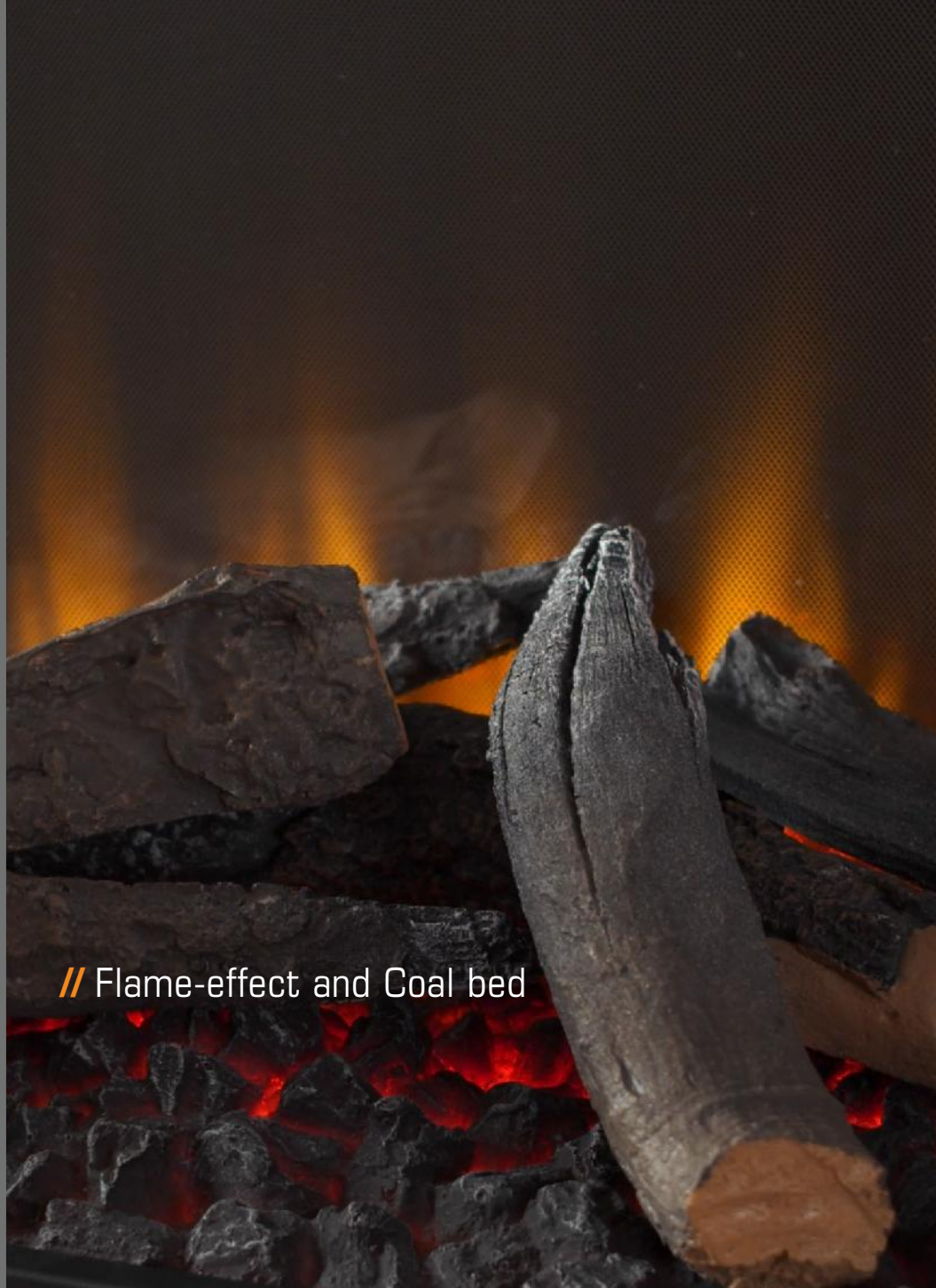
MOULDED LOG FUEL BED



// Flame-effect only



// Moulded Log Fuel-bed only



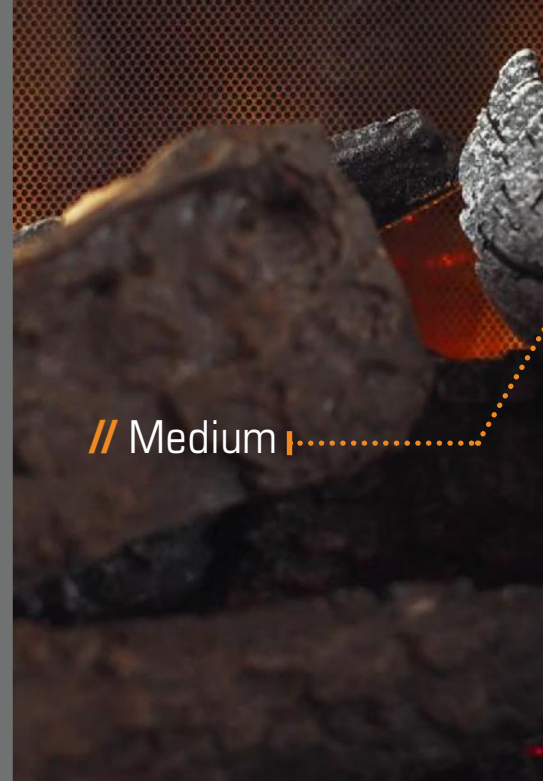
// Flame-effect and Coal bed



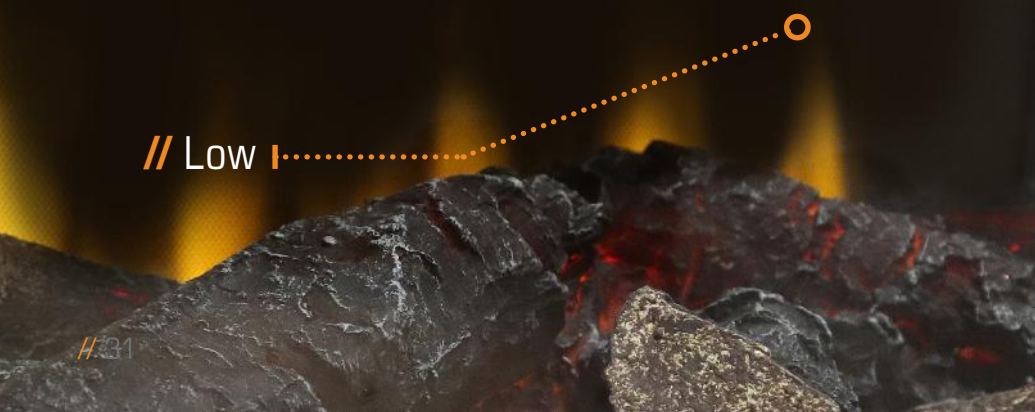
// Flame-effect and Log Fuel-bed

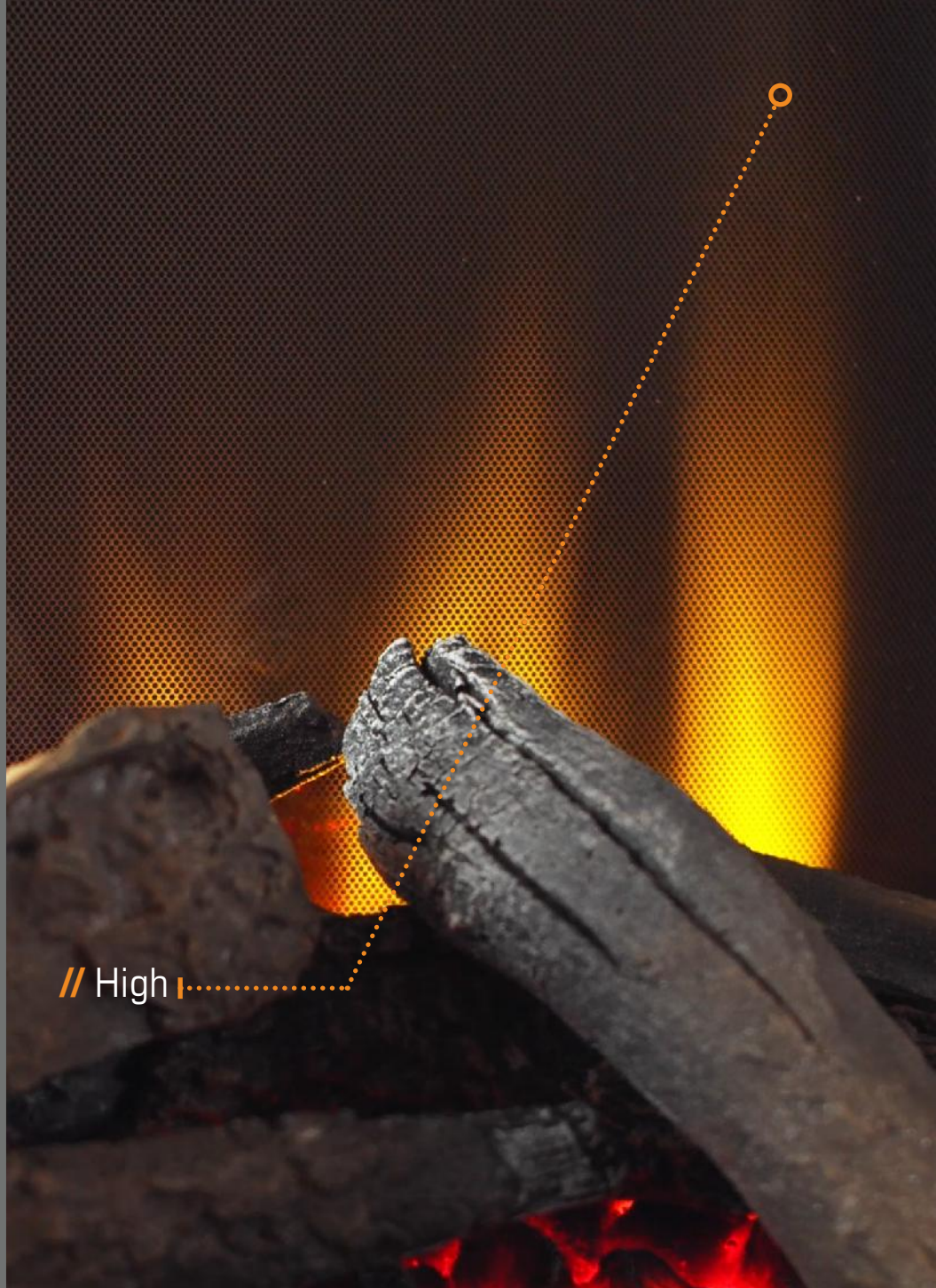
// BRIGHTNESS SETTINGS

REAL LOG STYLE FUEL BED



MOULDED BED





// CONTROL YOUR FIRE

With a simple press of a button you can adjust the temperature, flame-effect, fuel-bed effect, and more.

The same control options also live behind the door, below the fuel-bed, as pictured on the right.

A digital display will appear inside the fire showing your current selection and will disappear moments after.

Flame control

Choose from the four settings to adjust the brightness of the flame to suit your mood. Watch the flames change brightness and height on the back screen.

Daily and weekly timer

Set the fire to provide you with heat on any day throughout the week. The seven-day programmable calendar will remember your settings and will activate the thermostatic heater on each day and every week for when you need the New Forest fire the most.

Thermostatic heating

The heater system is thermostatically controlled using the remote handset and displays the setting inside the fire. Choose a temperature between 17°C and 27°C and the fire will do the work to heat the room up effectively to reach the desired temperature.



// STEEL FRAME & TEXTURED PAINT FINISH

// Textured paint finished

// Steel body frame

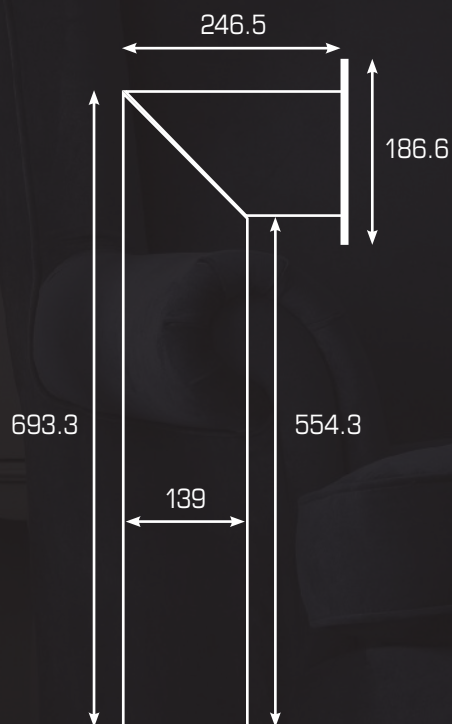


// OPTIONAL STOVE PIPE

Additional purchase required

Stove Pipe Specifications

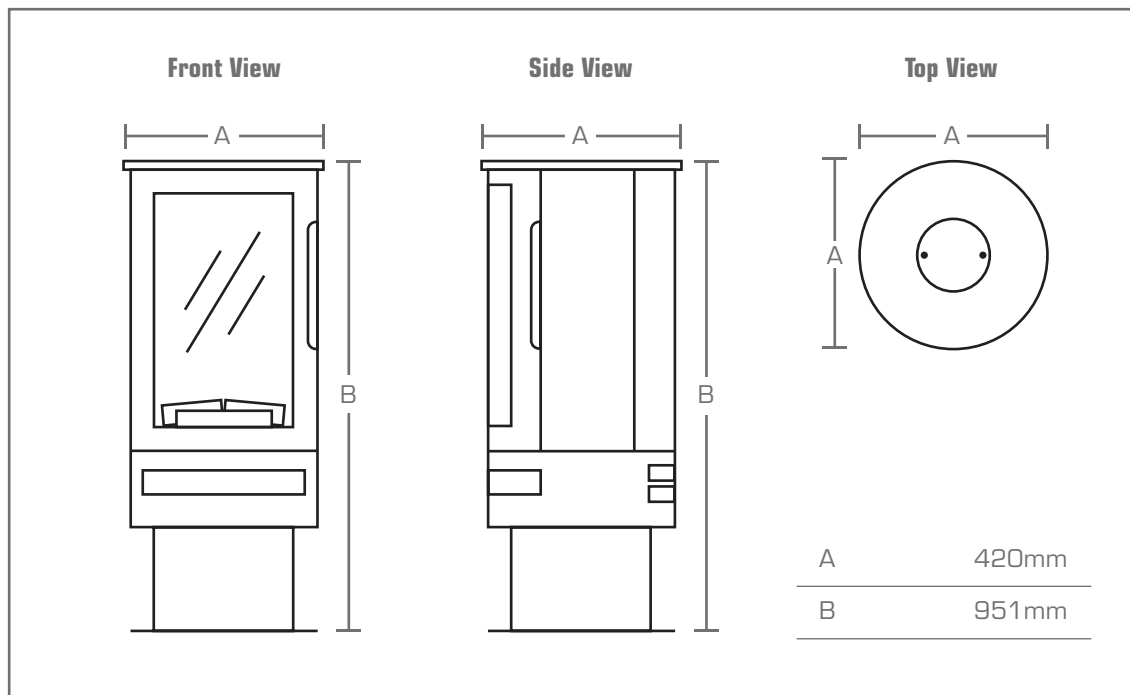
Dimensions..... W139 x H693.3 x D246.5 mm



// Stove Pipe



// ASHURST DIMENSIONS



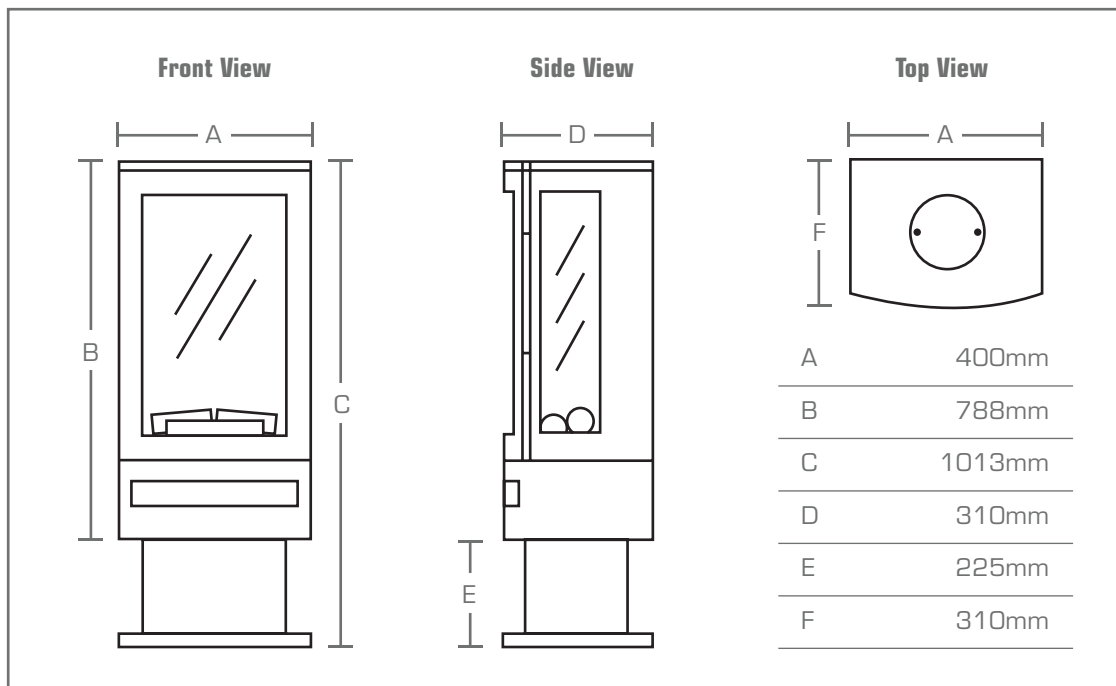
Product Specifications

- Supply Voltage220-240V AC
- Rating Power..... 50Hz, 2000W
- Fuse Rating..... 13 Amp
- Heating Elements2000W
- Lighting..... LED
- Location.....Indoor-use only
- Power cord length 1.6m

Product Features

- Flame-brightness control
- Full burn effect or, flame-only effect
- Full thermostatic control
- Remote Control Handset
- 3-pin plug included

// BRAMSHAW DIMENSIONS



Product Specifications

Supply Voltage	220-240V AC
Rating Power.....	50Hz, 2000W
Fuse Rating.....	13 Amp
Heating Elements.....	2000W
Lighting.....	LED
Location.....	Indoor-use only
Power cord length	1.6m

Product Features

Three choices of setup	Full thermostatic control
Flame-brightness control	Remote Control Handset
Full burn effect or, flame-only effect	3-pin plug included

// GET IN CONTACT

CONTACT:



0808 169 9911



info@britishfires.com
www.britishfires.com

OUR ADDRESS:



British Fires Ltd
Unit 10 Avon Trading Park
Christchurch
Dorset
BH23 2BT

// THREE-YEAR GUARANTEE

At British Fires we pride ourselves on quality and performance, so much so that each British Fires electric product is applicable for a three-year guarantee when purchased from an authorised dealer. We offer a standard one-year guarantee on every electric product, but to ensure your product is covered for a further two years, free registration is required on our website www.britishfires.com/guarantee. Full warranty terms and conditions are available to view at www.britishfires.com.

All appliances must be installed in a correctly ventilated space in accordance with the manufacturer's installation instructions and the rules in force. This brochure is for guidance only and is not intended to replace the installation manual, which provides more detailed information. All of our fires carry CE Approval. January 2020. British Fires™

This brochure was correct at publication; however, as our policy is one of continual development and improvement, specifications may be subject to change. Any such changes will not adversely affect the performance or safety of the appliance.





Dealer details here: