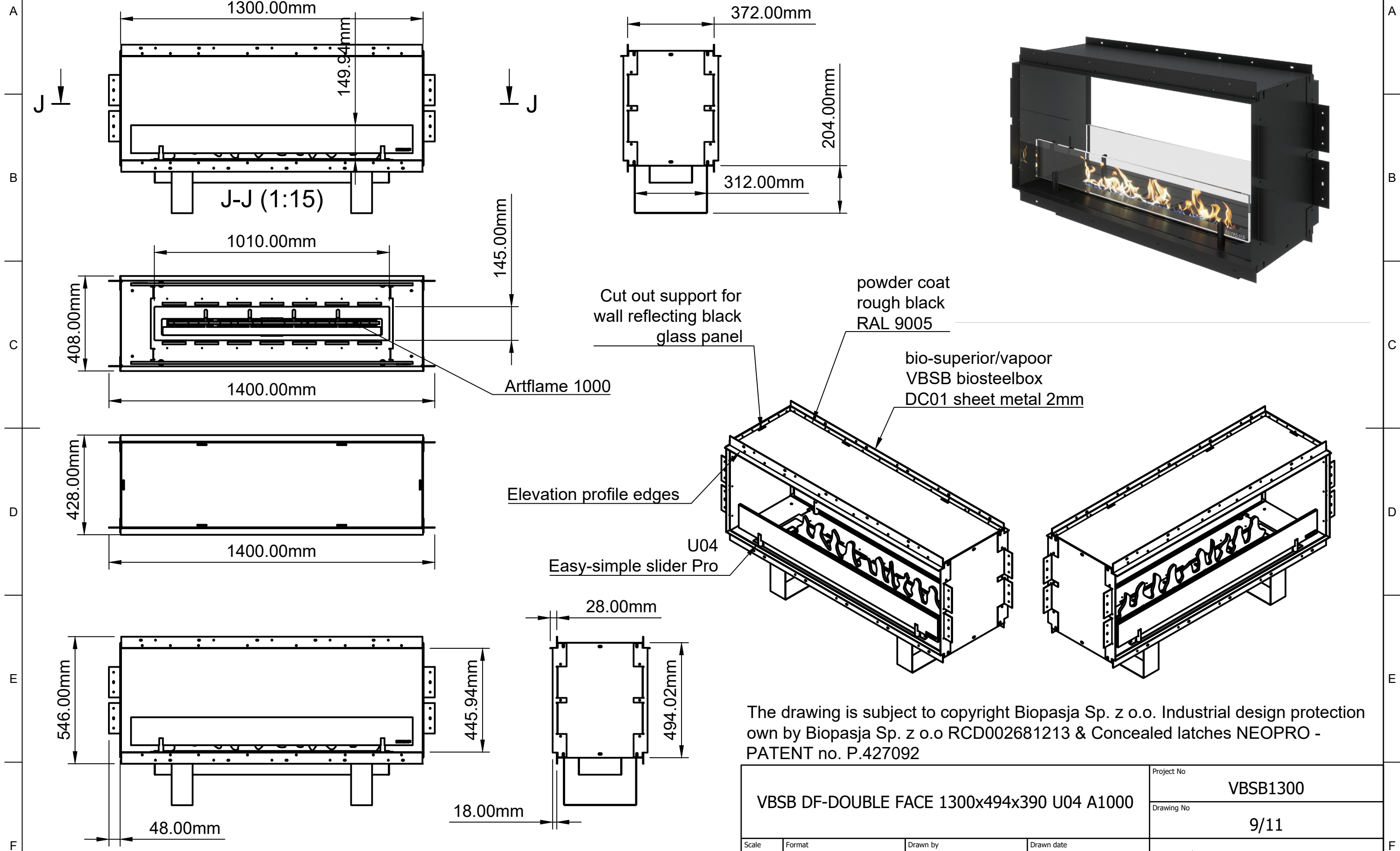


BIO-SUPERIOR/VAPOR VBSB DF WITH ARTFLAME BURNER



The drawing is subject to copyright Biopasja Sp. z o.o. Industrial design protection own by Biopasja Sp. z o.o RCD002681213 & Concealed latches NEOPRO - PATENT no. P.427092

VBSB DF-DOUBLE FACE 1300x494x390 U04 A1000				Project No VBSB1300
				Drawing No 9/11
Scale 1:15	Format A3	Drawn by Adam	Drawn date 02/06/2023	BIOPASJA
Rev.	Approved by	Rev. by	Rev. Date	

LOOKING FOR PRICES - SEE ON QUALITY AND SAFETY WE STANDS FOR 14 YEARS OF EXPERIENCE

This drawing is our exclusive property and may not without our consent be utilized, reproduced, transmitted or communicated to a third party.