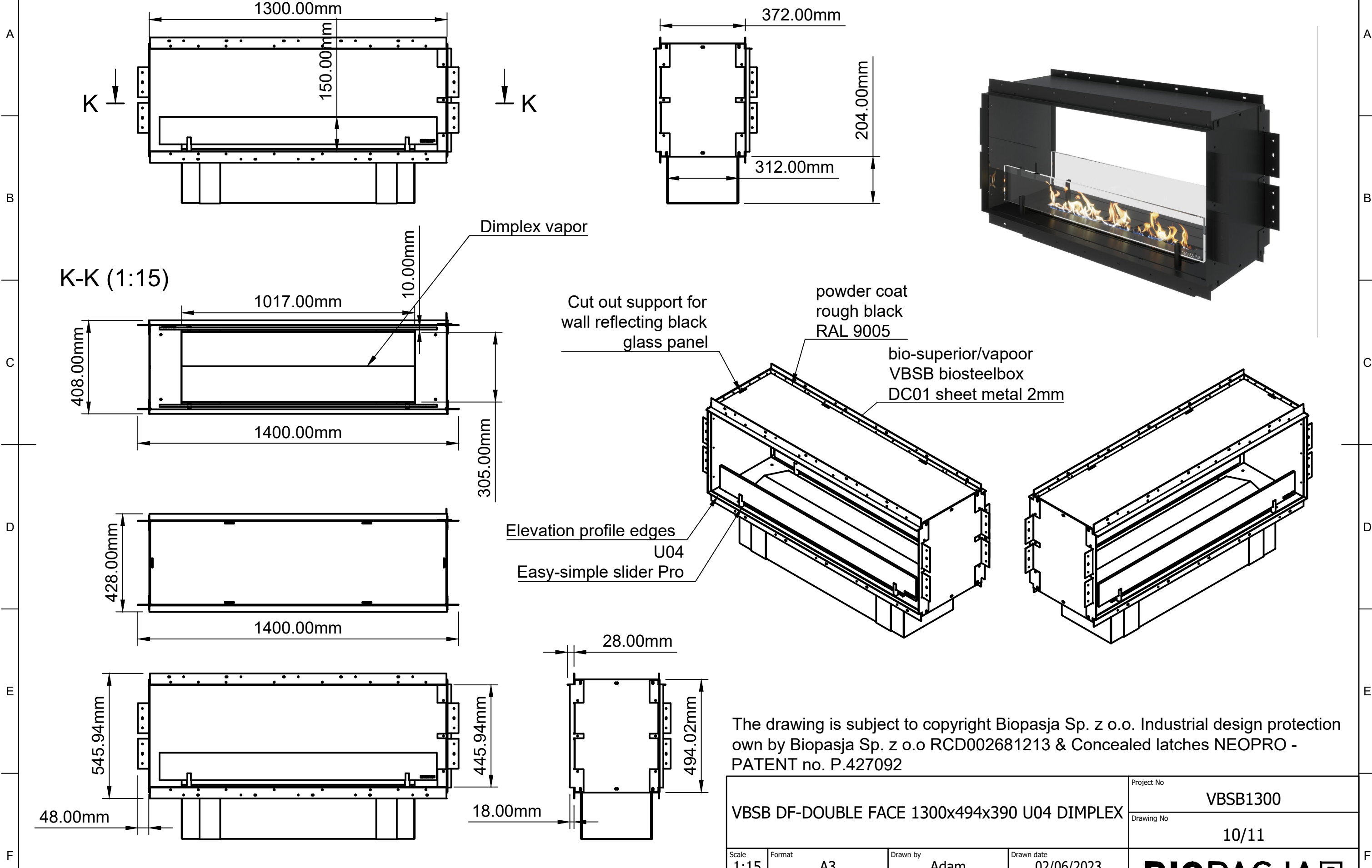


BIO-SUPERIOR/VAPOR VBSB DF WITH DIMPLEX



The drawing is subject to copyright Biopasja Sp. z o.o. Industrial design protection own by Biopasja Sp. z o.o RCD002681213 & Concealed latches NEOPRO - PATENT no. P.427092

| | | | | |
|--|--------------|------------------|--------------------------|------------------------|
| VBSB DF-DOUBLE FACE 1300x494x390 U04 DIMPLEX | | | | Project No VBSB1300 |
| | | | | Drawing No 10/11 |
| Scale 1:15 | Format A3 | Drawn by Adam | Drawn date 02/06/2023 | BIOPASJA |
| Rev. | Approved by | Rev. by | Rev. Date | |

LOOKING FOR PRICES - SEE ON QUALITY AND SAFETY WE STANDS FOR 14 YEARS OF EXPERIENCE

This drawing is our exclusive property and may not without our consent be utilized, reproduced, transmitted or communicated to a third party.