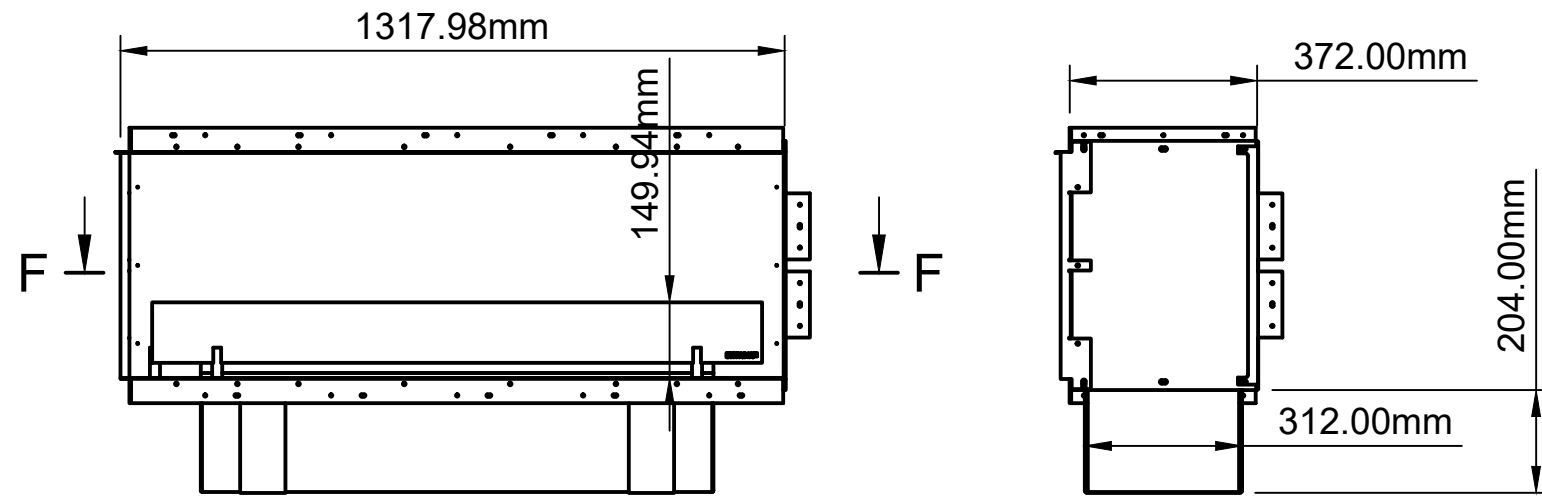
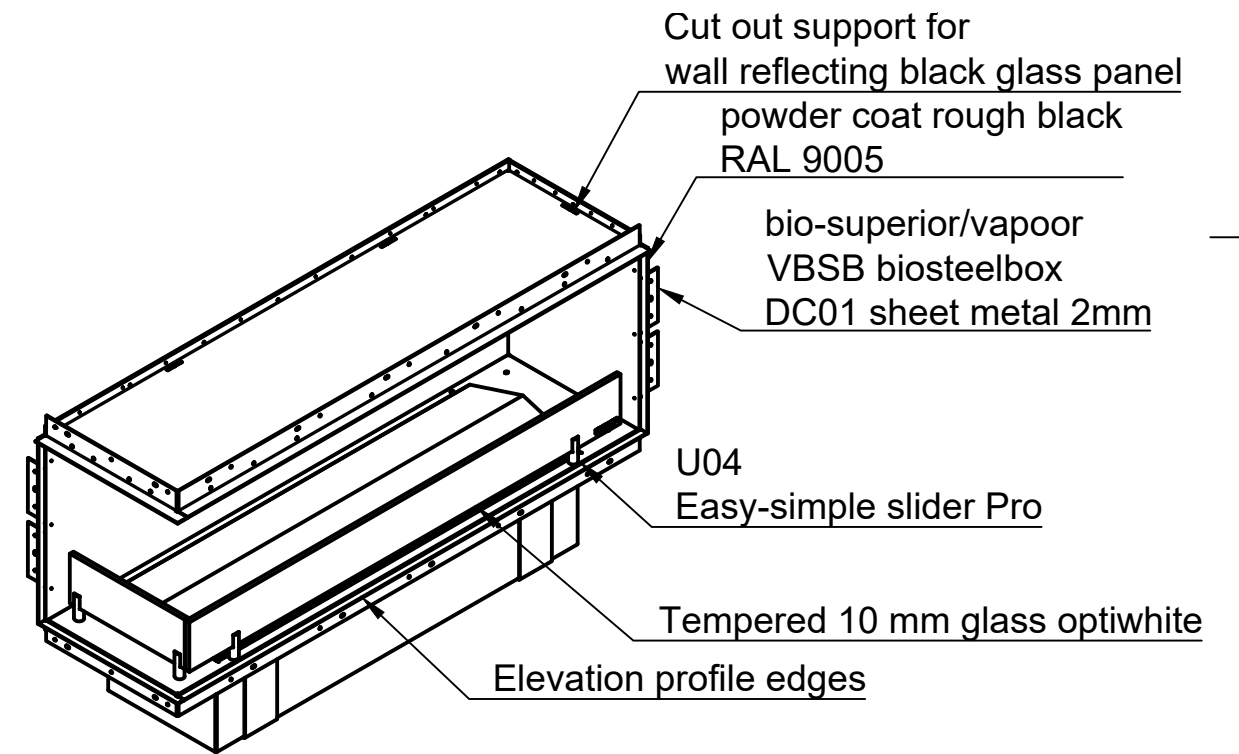
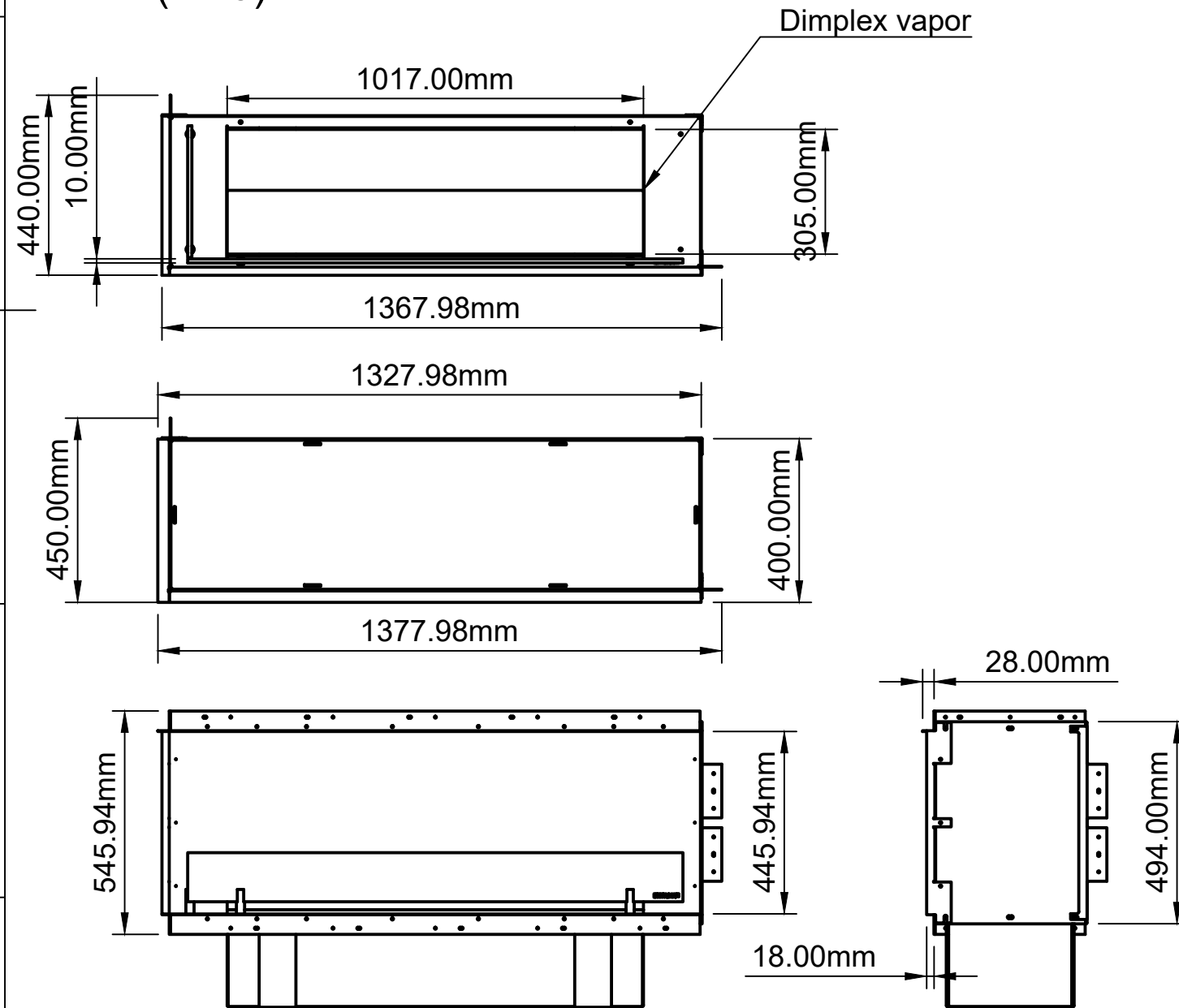


BIO-SUPERIOR/VAPOR VBSB LC WITH DIMPLEX



F-F (1:15)



The drawing is subject to copyright Biopasja Sp. z o.o. Industrial design protection own by Biopasja Sp. z o.o RCD002681213 & Concealed latches NEOPRO - PATENT no. P.427092

VBSB CL-LEFT CORNER 1300x494x390 U04 DIMPLEX				Project No	VBSB1300
				Drawing No	6/11
Scale	Format	Drawn by	Drawn date	BIOPASJA	
1:15	A3	Adam	02/06/2023		
Rev.	Approved by	Rev. by	Rev. Date		

LOOKING FOR PRICES - SEE ON QUALITY AND SAFETY WE STANDS FOR 14 YEARS OF EXPERIENCE

This drawing is our exclusive property and may not without our consent be utilized, reproduced, transmitted or communicated to a third party.