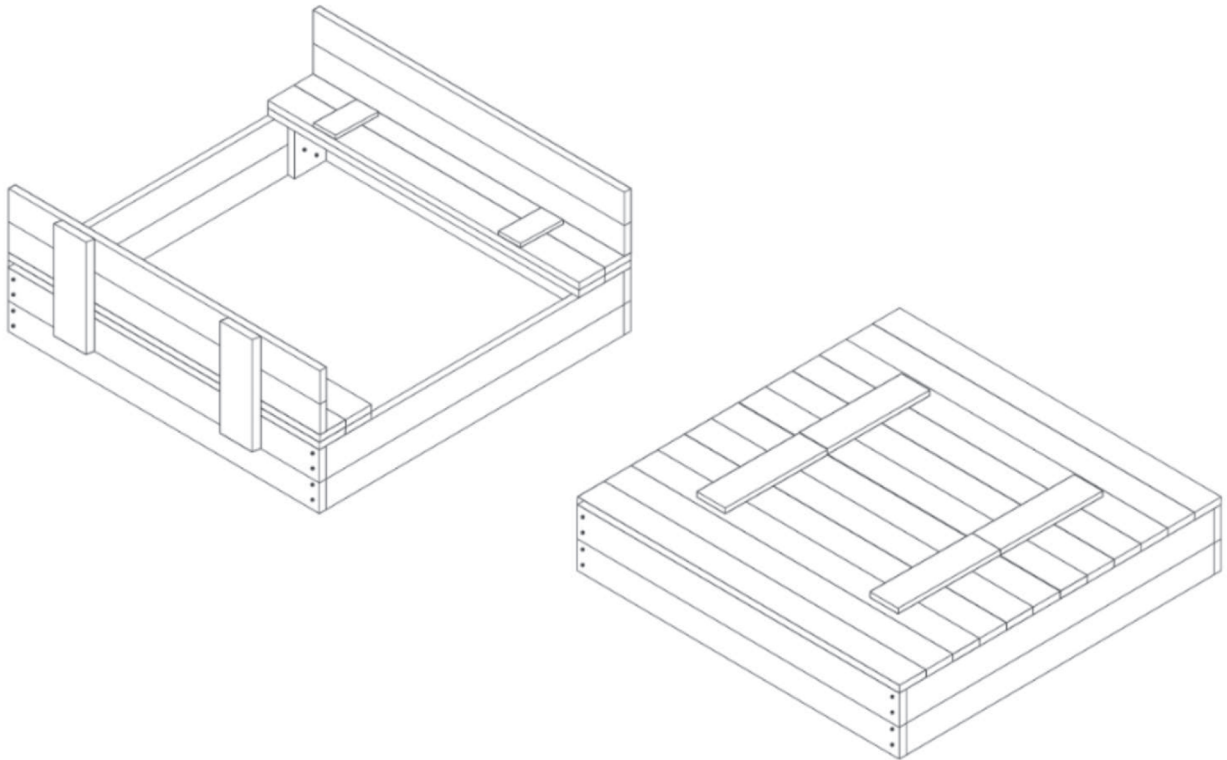


# User's manual

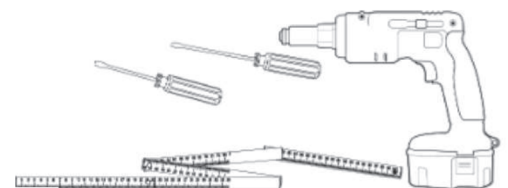
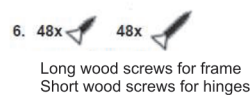
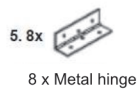


The sandbox which this user manual is made of spruce wood. The product has 2 benches, which can be closed with a sandbox. The sandbox meets all standards that allow it to be used by children during play, and can also be a decorative element of the garden.

#### To assemble the sandbox, we need:

1. Electric Screwdriver
2. Measuring tape
3. Drill with a thin drill
4. Motivation to work

The kit includes:



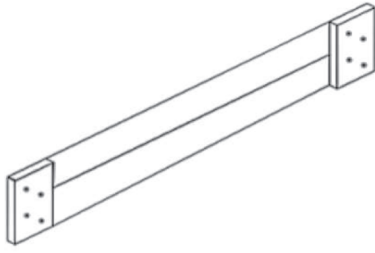
# zolta

ZOLTA Trade Sp. z o.o., ul. Przemysłowa 24, 39-300 Mielec, Poland tel. (+48) 22 472 40 02

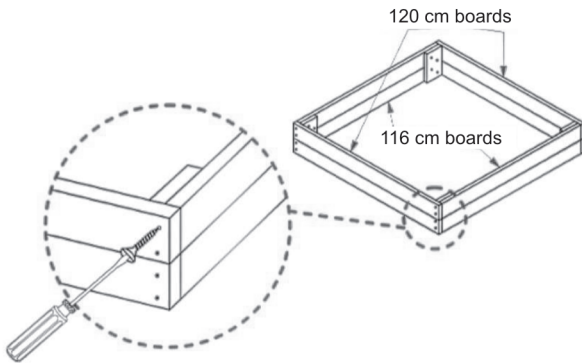
[www.zolta.pl](http://www.zolta.pl)

### Frame assembly

To assemble the base of the sandbox frame, we place two boards next to each other (116 cm). To connect one board to another, we connect them with small staves at the ends with long wood screws. We do the same for the other pairs of boards (116 cm).



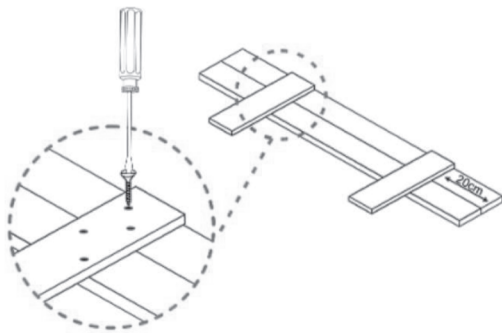
To the resulting sides of the sandbox frame we screw 4 perpendicular boards with a length of 120 cm (2 pieces per one side) using long wood screws. As a result, we get a square sandbox frame with the dimensions: 120 x 120 cm.



### Sandbox bench backrest

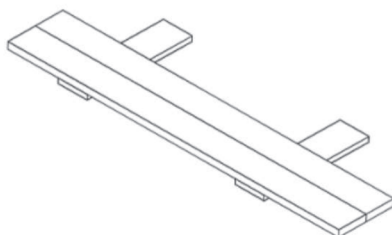
In the next stage, we deal with the bench backrest. We screw 2 small planks (30 cm) to 120 cm boards at a distance between them of 20 cm from the edge (picture).

The distance between the long boards must be 1 cm - as with all long boards that make up the sandbox cover.



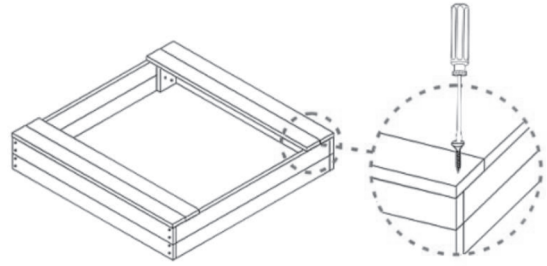
### Next step of bench backrest.

The stave is positioned so that it protrudes at a distance of 7.5 cm. So that the outer edge of the stave is flush with the edge of the board. In this way, the entire backrest will be secured against accidental self-folding. Now we have 2 elements visible below.



Remember to keep a space of 1 cm between long boards.

In the next stage, we fix four boards (120 cm) in the upper part of the frame along the long side. 2 pieces for both sides. These boards will be part of the sandbox bench.

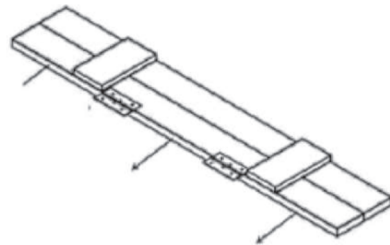


Keep a 1cm space between the long boards

### Bench

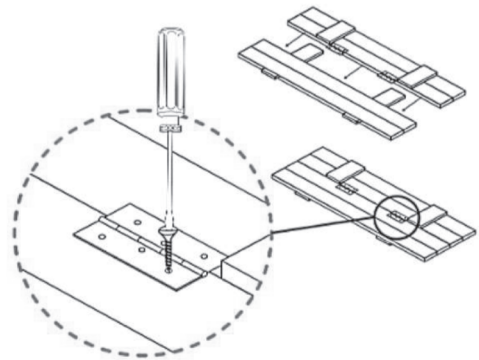
Then two boards (120 cm) are laid side by side parallel to each other with a gap of 1 cm between them. We connect them perpendicularly with two boards (18 cm) at a distance of about 30cm from the edge. We also fit 2 hinges with short wood screws (picture). We create two such elements, one for each page.

Remember to keep a space of 1 cm between long boards.



### Connecting the backrest with the bench

Then we connect these elements with each other using hinges as below.



### The connection of the frame to the bench

The elements prepared earlier are screwed together with the construction using hinges, as in the photo.

The sandbox is ready for use.

