



Yuasa Technical Data Sheet

Yuasa M31-EFB - Marine Batteries

Performance

Voltage	12V
Capacity (20-hour)	100Ah
Cold Cranking Amps (EN1)	750A
Marine Cranking Amps (MCA)	900A
Watt Hour	1200Wh

Dimensions

Length	330mm
Width	173mm
Height	240mm



Weights & Measures

Mean Weight with Acid	26kg
-----------------------	------

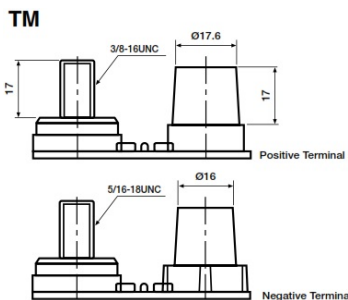
Container Features

Case Type	GR31 BCI
Cell Layout	1
Hold Down	N
State of Charge Indicator	✓
Handles	✓
End Venting	✓
Semi-Traction Features	✓
Lid Type	SMF Double Lid

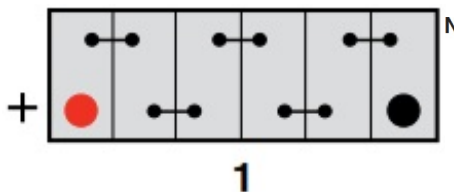
Technology

Flame Arrestor	✓
Technology	Ca/Ca
Separator	PE
Recommended Charge Rate	7A

Terminal Type



Cell Assembly Layout



Battery Hold-down



Data Sheet generated on 07/03/2024 - E&OE