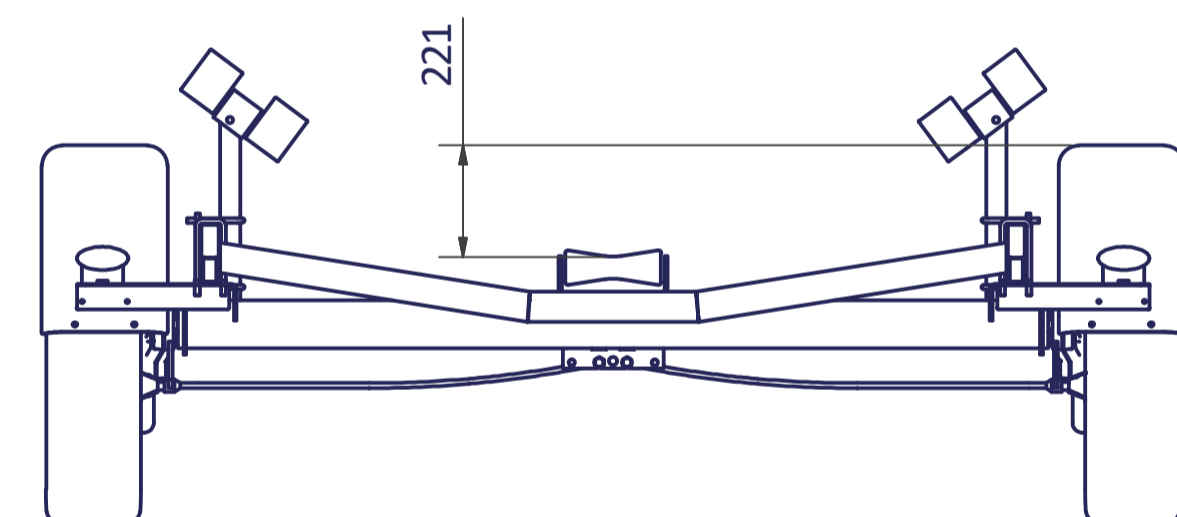
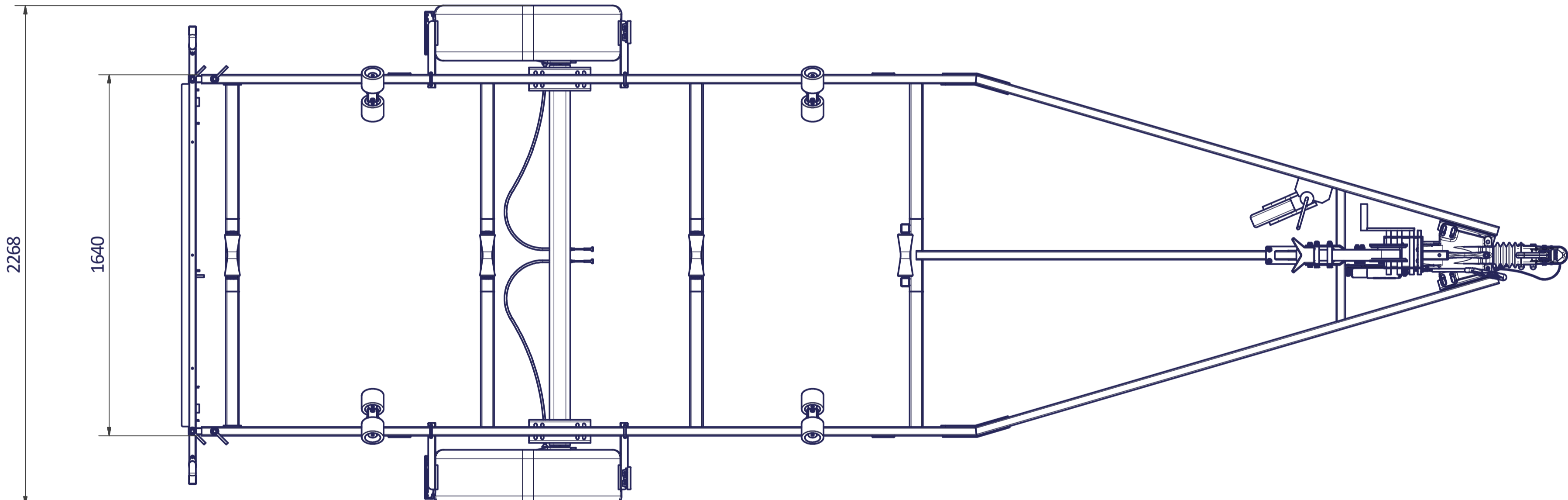
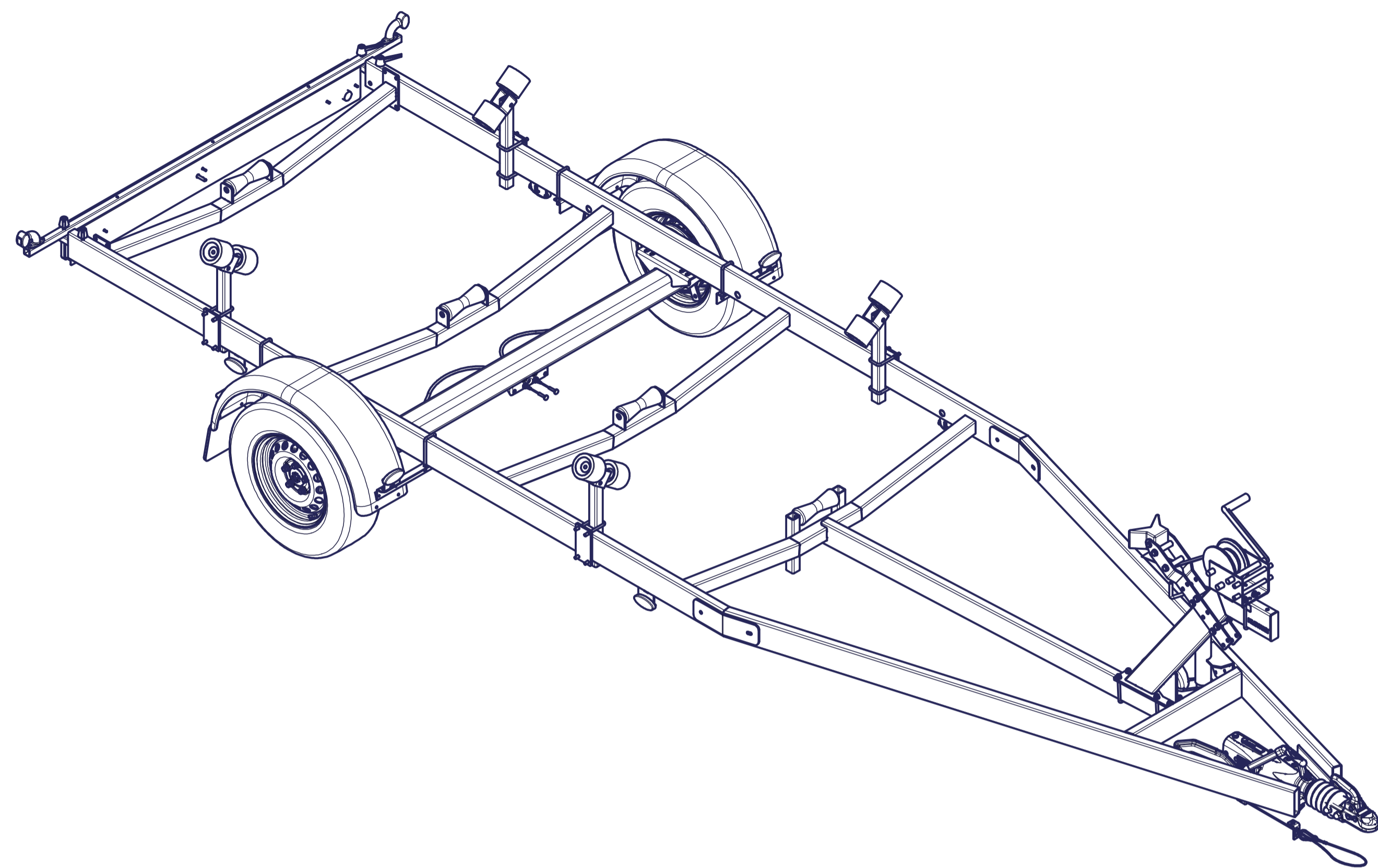
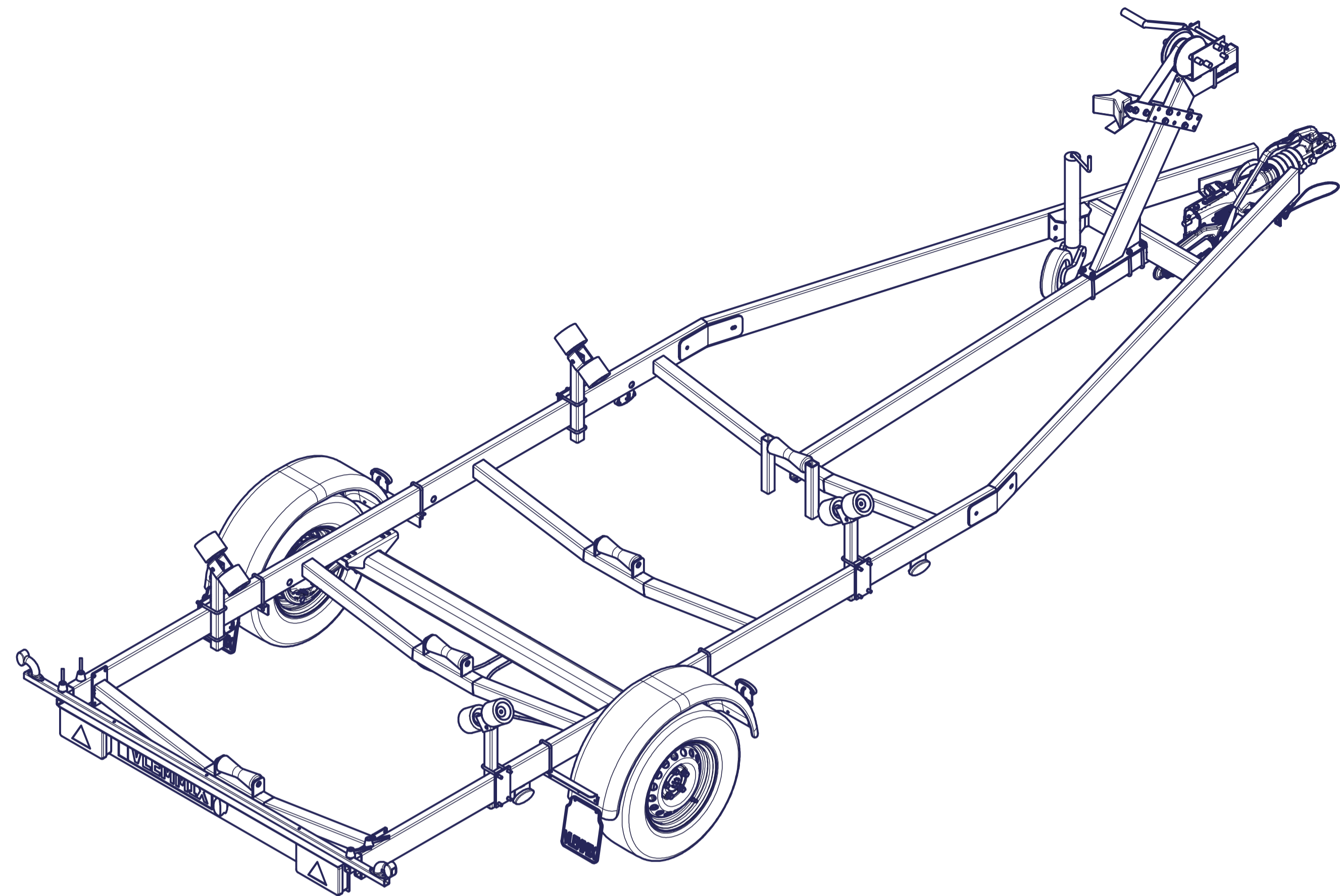
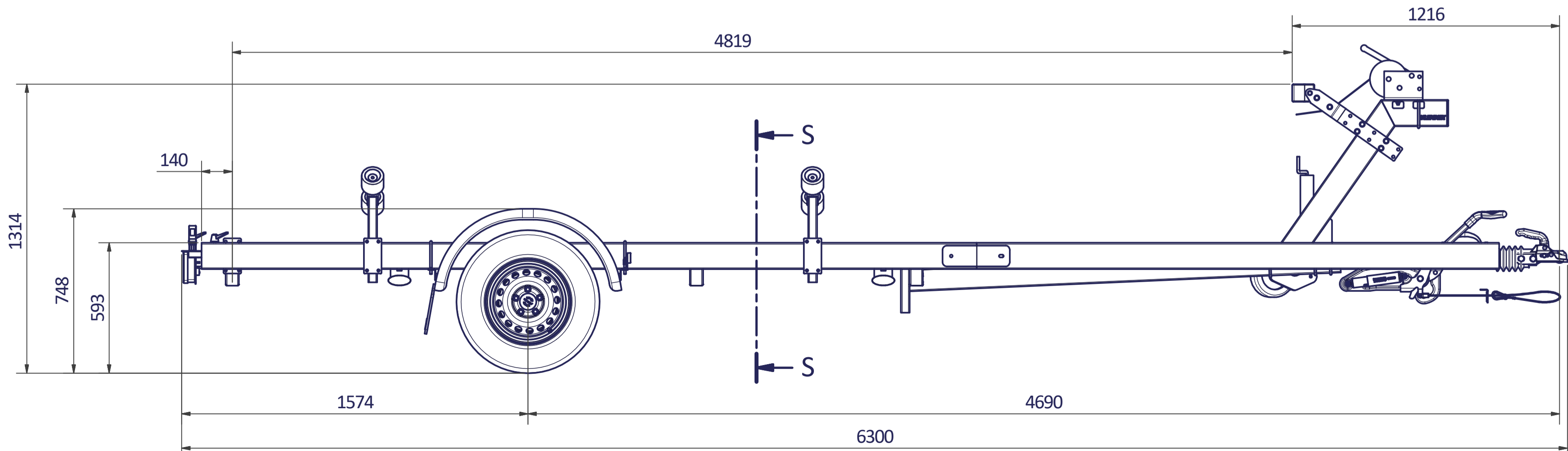


12 11 10 9 8 7 6 5 4 3 2 1

H  
G  
F  
E  
D  
C  
B  
A



S-S



# BOOTTRAILER 630

1x AS 1350/1500 kg

Surface treatment: ZINK PLATED			
QTY:	© VLEMMIX AANHANGWAGENS This drawing and its contents may not be made accessible and/or duplicated for others without permission. All rights reserved.		
TOLERANCE:	UNIT:	DRAWN BY:	J.H.
ISO 2768-MK	mm	DATE:	22-9-2021
PROJECT/DRAWING NO.:		BT6.3-011-00	
SCALE:	DESCRIPTION:	SHEET:	A
1:15	BOOTTRAILER 6.3 M	1	
		SHEETS:	1

A1

12 11 10 9 8 7 6 5 4 3 2 1

