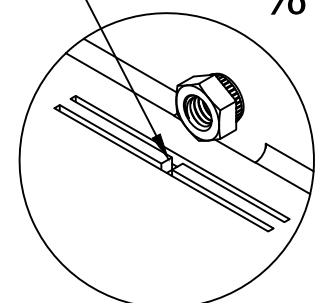


ELRVWHHO%2;)
 237,21 EODFN UHIOHFWLQJ
 JODVV SDQHO SLQ ORFN VVW.HP

3UHVV GRZQ
 SLQ ORFN XVH
 VFUHZGULYHU



7KH GUDZLQJ LV VXEMHFW WR FRS\ULJKW %LRSDVM
 RZQ E\ %LRSDVMD 6S] R R 5&' &RQFHDOHG
 3\$7(17 QR 3

ELRVWHHO%2;) [[DUWIODPH			3URMFW 1R &LQHPDZDOO
			'UZ
6FDOH)RUPDW	'UDZQ E\	'UDZQ GDWH	BIOPASJA
5HY25\$SSURYHG E\	5HY E\	5HY 'DWH	
7KLV GUDZLQJ LV RXU H[FOXVLYH SURSHU\ DQG PD\ QRW ZLWKRXW RXU FRQVHFW EH XWLO]HG			

/22.,1*)25 35,&(6 6((21 48\$/ ,7< \$1' 6\$)(7< :(67\$1'6)25
 <(\$56 2) (;3(5,(1&(