



By **drive**

 **DeVilbiss**  
HEALTHCARE



**AQUAJLOY VALUE BATHLIFT**

**OPERATING INSTRUCTIONS**

## Table of Contents

<b>AquaJoy VALU£ – Product description</b> .....	3
Scope .....	3
<b>For your own safety</b> .....	4
Important information .....	4
Notes concerning the storage battery, battery charger and hand control.....	4
Important safety rules .....	5
Notes concerning Electromagnetic Compatibility (EMC).....	6
<b>Installation and use</b> .....	6
Unpacking.....	6
First installation in the bath .....	7
Attaching and removing the covers .....	10
Installing the headrest (optional) .....	11
Hand control .....	12
Operating the AquaJoy VALU£ in the bath.....	13
Removing the lift from the bath .....	14
<b>Maintenance and care</b> .....	16
Maintenance of the bathlift .....	16
Cleaning .....	16
Maintenance of seat covers .....	16
Assembly of new cushion plugs for the bathlift covers .....	16
Maintenance of the battery charger.....	17
Charging the storage battery.....	17
<b>Transport / mobile use</b> .....	18
Transport as two separate units.....	18
Transport in an interlocked condition .....	18
<b>Appendix</b> .....	19
Technical Data AquaJoy VALU£ bathlift .....	19
Troubleshooting .....	21
Notes concerning the disposal .....	21
Re-use/Recycling.....	21
Warranty .....	22
Accessories and spare parts.....	23
Explanation of symbols .....	24
Type labels .....	24
Notes concerning these operating instructions.....	24

Thank you for deciding to buy a product made For AquaJoy By Drive. From now on, this lightweight, high-quality bathlift will make it a lot easier for you to get in and out of your bath.

This bathlift conforms to the legal standards DIN EN ISO 10535:2006 and DIN EN 60601-1:1996.

The AquaJoy VALUE is built with high-quality, recyclable lightweight plastic. This makes our product easy to transport and stow away – and ideally suited for use in the home or away.

The lithium-ion battery is located in the hand control. The hand control itself can float in the water. The drive motor and control electronics are completely water tight, so you can use the AquaJoy VALUE even with the shower on.

The sturdy frame dismantles, enabling the seat to be raised or lowered from 6 cm to 48 cm (2.4 to 18.9 in) height. The lifting rod lifts and lowers the seat surface when the user pushes the up and down buttons.

The drive unit with integrated backrest can be folded down for removal and automatically locks in to the seat base when the lift is raised. This prevents unintentional tilting of the backrest. Intelligent power control ensures that the lift can only be lowered if sufficient power is available to raise it again.

## ➤ Scope

Bathing aids assist users with their daily hygiene. These aids compensate, in whole or in part, for restricted or lost physical functions. The goal of using such aids is to enable their users to be independent of help and to give them more privacy.

Bathlifts are used to lower and raise a user in the bath. Their use is recommended if the physical mobility of a person's upper and/or lower extremities is significantly reduced making it difficult to get into or out of the bath or to sit down and stand up safely. In these cases, the use of a bathlift is a great help to re-gain independence and privacy in the bathroom.



# For your own safety



## **ATTENTION – VITAL INFORMATION**

**Fully read the instructions in this manual prior to use. Failure to do this may result in injury or damage**

### ➤ **Important information**

- \* Never use the AquaJoy VALUE to climb in or out of the bath. Never use it as a stand, lifting device, ladder, support, or for any similar purposes outside of the bath. **The lift is to be used only in order to take a bath.**
- \* ALWAYS keep animals and children away from the bathlift.
- \* In the event of malfunction or damage, please contact your specialist dealer immediately. Do not perform any makeshift repairs or modifications. Repair work has to be carried out by authorised specialist workshops or by the manufacturer only. Non-adherence to this provision will render our guarantee invalid.
- \* Only raise or lower the lifting rod when the back-rest is in an upright position and fully locked.
- \* Do not use height adapters for this product.
- \* Do not store the product in the vicinity of heat sources.



**Please keep these operating instructions in a safe place!**

- \* Before transporting the bathlift please make sure that the hand control is disconnected.
- \* **If the lift has been exposed to low temperatures for a long period of time (e.g. prolonged storage in a vehicle during winter), allow it to warm up to room temperature before using it, so as to avoid damage.**
- \* When using bath oils or salts, please observe the recommended dosage – such additives may affect the gliding behaviour of the crossbar mechanism.
- \* **Do not use any acetic acid cleaners or detergents for cleaning the AquaJoy VALUE!**

### ➤ **Notes concerning the battery, battery charger and hand control:**

- \* Use the hand control only to operate the bathlift.
- \* The bathlift must only be used with an original hand control made for AquaJoy By Drive.
- \* Never throw the hand control into an open fire or store it in the vicinity of fire or strong heat sources.
- \* Do not open the hand control. This will invalidate the guarantee.
- \* Use only the supplied battery charger to charge the battery.
- \* Do not use the hand control if the housing shows any signs of damage.
- \* Use the battery charger only in dry rooms outside of the bathroom. Use the charging unit only for charging the supplied storage battery.
- \* **It is vital that the battery be fully charged before the first use of the AquaJoy VALUE - there- after, it should be charged after each use.**

If the device is not used for long periods of time, the battery should be re-charged every 3 months in order to increase the longevity of the device.

Do not insert any conductive objects (e.g. needles, metal pins, etc.) into the jack socket of the hand control.

Always disconnect the mains plug from the socket before cleaning the battery charger.

Clean the battery charger with a dry cloth only.

The AquaJoy VALUE, battery charger and battery, are built in a very robust way, but should not be dropped. If you should find any visible and/or audible signs of damage, do not use the bathlift and notify your specialist dealer immediately. We recommend entering the address of your nearest representative on the last page of these operating instructions.

For further information, technical details and addresses, please read the complete operating instructions.

In the event of a malfunction, please read our "Troubleshooting" Chapter in the Appendix to these operating instructions. Please observe the information and instructions given there. For your own safety, please do not use the bathlift until any defect or malfunction is remedied.

## ➤ Important safety rules

- a) Always sit down in the middle of the lift with your back against the backrest, with your legs stretched slightly forward and place your free hand either on the edge of the bath or on your lap. Use the other hand to operate the hand control to raise or lower the lift.
- b) Whilst raising or lowering the lift, do not place your hand between the bath edge and the lift or underneath the seat as this may cause injury.
- c) Persons with severe or mental disabilities must never be left unattended in the bath. Only take a bath without any help if your ability allows you to do so – otherwise, ask someone to assist you.
- d) Before using the bathlift a test run should be carried out to check for the correct raising, lowering and EMERGENCY STOP functions.
- e) If a malfunction has occurred, do not operate the bathlift and ask your specialist dealer to remedy the problem.
- f) Do not use any objects that could get stuck in the mechanism (e.g. brushes, etc.) whilst using the bathlift!

# For your own safety

## ➤ Notes concerning Electromagnetic Compatibility (EMC)

This product is compliant with the protection requirements set forth in the Council Directive for the Harmonization of Legal Stipulations of the Member States concerning Electromagnetic Compatibility (EMV, IEC 60601-1-2) (89/336/ EWG). However, the occurrence of electrical interference cannot be ruled out completely under certain conditions, i.e. in particular, if mobile phones or other electrical devices are used.

In the vicinity of the bathlift, do not operate any life-preserving or life-supporting devices or any devices that may cause health hazards for users in the event of malfunction. Such devices may be subject to electrical interference under certain conditions, or they may adversely affect the proper functioning of the bathlift.

If you should detect any malfunctions or unusual behaviour with your bathlift or in the vicinity or during the operation of other electrical devices, please make the bathlift inoperative and notify your specialist dealer.

# Installation and use

## ➤ Unpacking

Please check the shipping carton for completeness – it should contain the following parts:

1. Aqualoy VALUE unit with integrated backrest and hand control (with integrated battery)
2. Seat unit with side flaps
3. Battery charger
4. Operating Instructions
5. 4 x suction cups, 75mm diameter for assembly on baseplate ***NB – if larger 130mm suckers are ordered these will be assembled prior to despatch.***

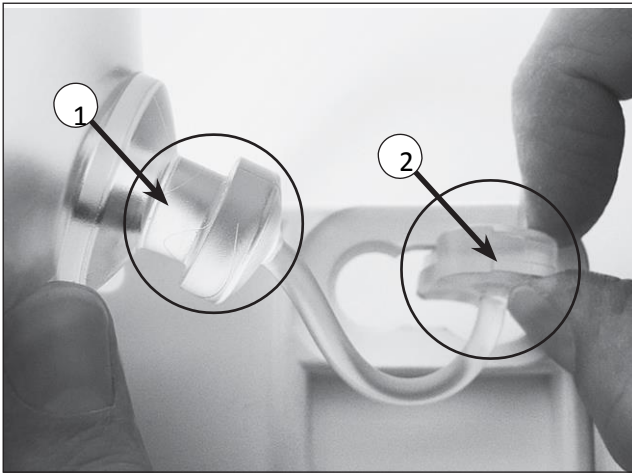
**If one of these parts should be missing or damaged, please inform your specialist dealer.**

Unpack the charging unit first, then the remaining parts. The shipping carton may be kept for later use (i.e. transportation or storage of the bathlift).

**Prior to using the device for the first time we recommend charging the storage battery. Please follow the information given in Chapter “Charging the Battery”.**

**NB. Please follow these instructions if standard 75mm suckers are ordered – if 130mm (Large) suckers are ordered then they will already be assembled.**

## ➤ First installation in the bath

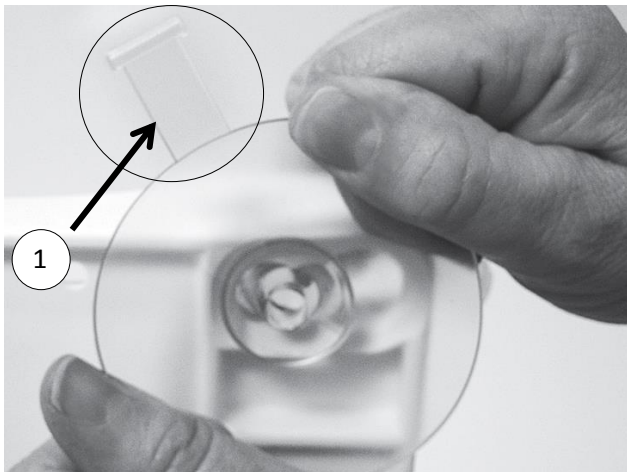


**1 – Mushroom Head – 2 – Stopper**

- 1) First insert the rear suction cups with the movable stoppers in front into the underside of the baseplate.



- 3) Press the stopper flush into the opening in the plate from the top.



**1 - Aeration Flap**

- 2) Move the mushroom head of the suction cup towards the small opening into its end position by turning slightly. Ensure that the aeration flaps point towards the rear.



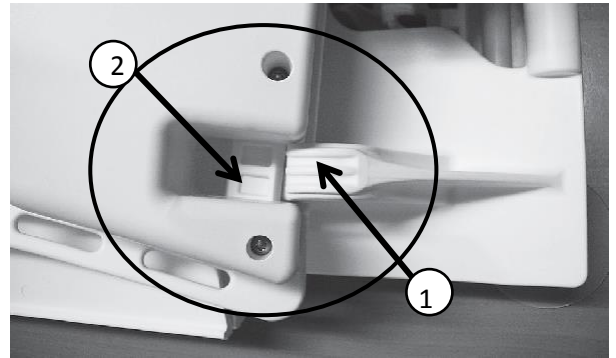
- 4) Insert the front suction cups in the same way, but also press the aeration flaps into the recesses in the baseplate. The front suction cups are thus automatically aerated when taken out.

# Installation and use

## ➤ Important note:

The suction cups hold the bathlift firmly in place on the bottom of the bath. Therefore, the suction cups at the underside of the AquaJoy VALUE must be **clean and dry**. The bath itself must also be clean and dry. We recommend cleaning the suction cups and bathtub regularly with commercial cleaning agents, so as to achieve highest possible suction.

1. Make sure that the bottom of the bath is empty and clean (remove anti-slip mats or similar, if necessary).
2. Place the seat unit with the suction cups attached to the baseplate into the empty bath. Make sure that the rear suction cups are located close to the bevelled edge of the bath.
3. Now insert the drive unit with integrated back rest into the bearing blocks of the seat unit (see illustration).



**1 – Bearing Block – 2 – Guide Pin**

Please make sure that the red stop lever is in the correct position.

4. Now hold the backrest at the hand grips and using the other hand tilt it backwards (see illustration) until the drive unit rests against the baseplate.



**1 – Hand Grip**

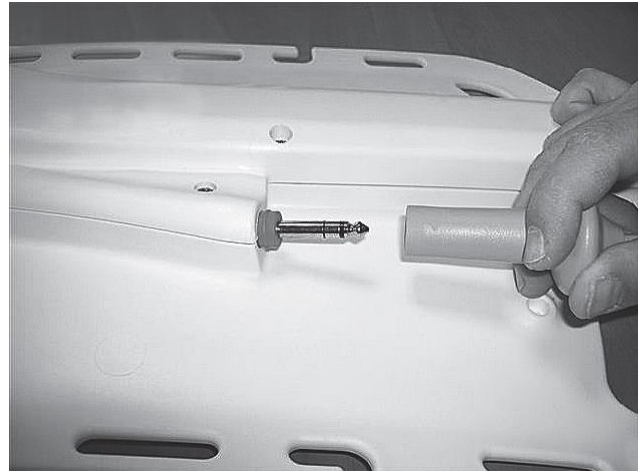
➤ Attention! It is very important that both guide pins are inserted into the bearing blocks!





5. Connect the hand control to the bathlift. To do this, plug the jack socket onto the jack plug until it catches in and the red ring at the jack is unseen. The bathlift is now ready for movement.

➤ **Note:** if there is a risk of the backrest colliding with the back of the bath, reposition the base further away from the end of the bath.



6. Make sure that the lifting rod is positioned correctly in the unlock ramp.



**Correct**



**Incorrect**



# Installation and use

## ➤ **Attaching and removing the covers**

The covers can be attached and removed very easily.

To attach the cover, place it correctly on the surface of the backrest and press the fastening buttons completely into the holes provided in the backrest and seat (or seat and side flaps see illustration).



*Backrest Cover*

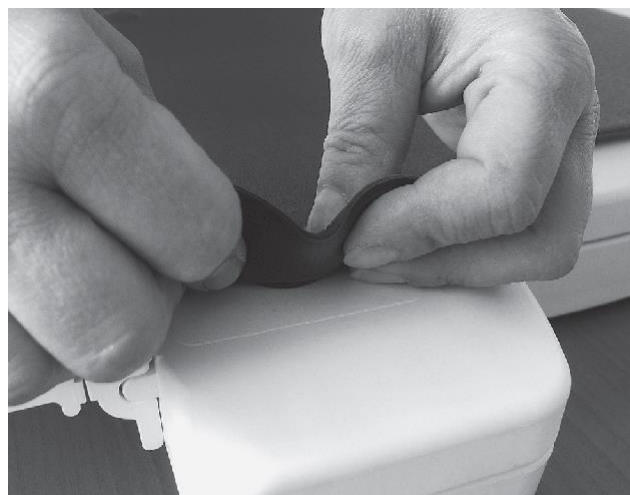


*Backrest Cover*



*Seat Cover (Comfort Cover Shown)*

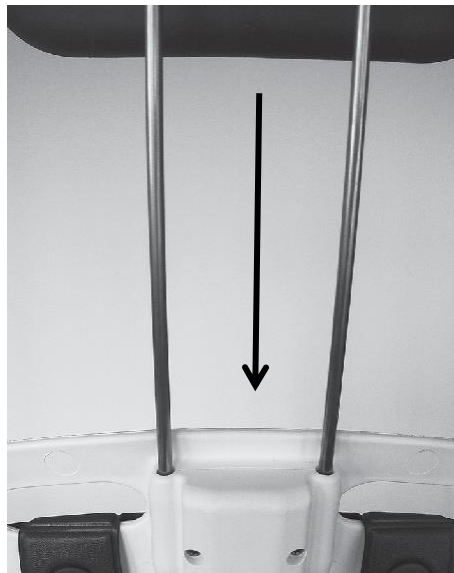
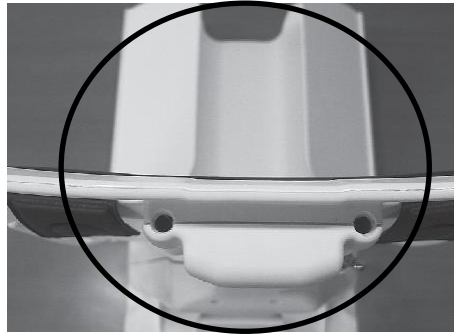
- To remove the covers, lift the two fastening buttons with two fingers; then pull them out.



*Seat Cover*

The bathlift can also be used without covers.

- Installing the headrest (optional) Insert the two rods of the headrest into the openings at the top of the backrest plate. The headrest can be effortlessly adjusted to the desired height.



# Installation and use

## ➤ Hand control

Depending on the weight of the person bathing, the capacity of the fully charged battery is for a maximum of 6 baths. During the bathing process the green control lamp of the hand control is lit up green.

When the charging level of the battery falls to a factory-defined level, the lamp colour changes to orange and the lamps starts to blink slowly. This indicates that there is enough energy for 1 (one) bath and the battery **should** be charged according to the operating instructions.

If you continue to use the lift whilst the lamp is lit yellow, the lamp colour may change from yellow to red and start to flash at fast intervals. In this case, the lift will only move upwards to ensure that you can leave the bath safely. The battery **must** now be charged immediately using the battery charger supplied.

**GREEN lamp:** Lift is ready for operation

**ORANGE lamp:** Limited readiness for operation – sufficient for one (1) more bath. The battery should be charged.

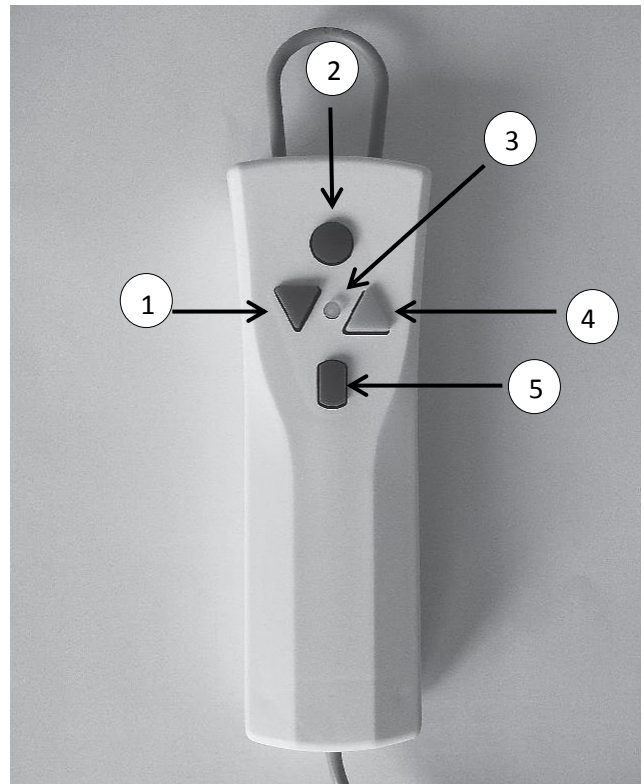
**RED lamp:** Lift no longer ready for operation – lift will only move up-wards. Battery **must** be charged immediately.

## ➤ EMERGENCY-OFF button (red):

Should an emergency situation occur, all the functions of the bathlift must be brought to a standstill by pressing the red EMERGENCY OFF button. To re-activate the bathlift, press the green ON button once again.

The bathlift switches off automatically after approx. 30 minutes. If you wish to switch it off manually, please press the red button on the hand control (the control lamp will go out).

1. *Down button (blue)*
2. *EMERGENCY-Off button (red)*
3. *Control lamp (LED)*
4. *Up button (yellow)*
5. *On button (green)*



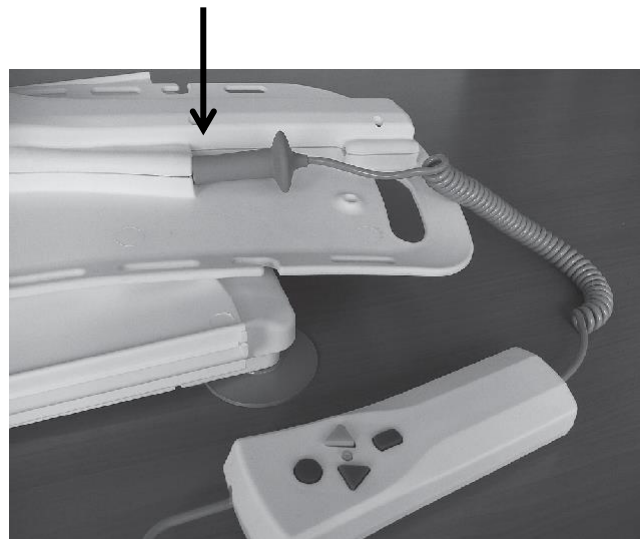
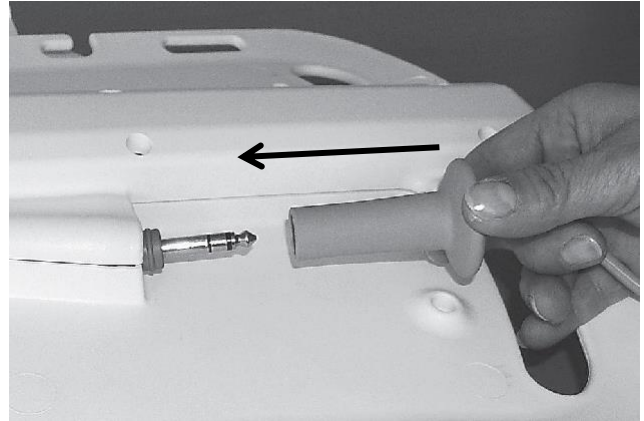
## ➤ Operating the AquaJoy VALUE in the bath

1. Before using your bathlift, make sure that the hand control is connected properly via the plug-type connection on the bathlift. The red ring at the jack is now unseen. Press the ON button (green) on the hand control. The green control lamp is illuminated.
2. Now press the UP button (yellow). The backrest moves to an upright position first; then the lift rises to its end position and switches off automatically. The lift can be raised to any height in between, by releasing the button once the required height is achieved.
3. Fold out the side flaps until they rest on the sides of the bath. Raise the seat until the seat surface is at the same level as the upper edges of the bath and the side flaps are in a horizontal position

### ➤ **Important: The side flaps must rest flat on the side surfaces of the bathtub.**

4. Sit down on bathlift. If this is not possible without help, ask for assistance.
5. To lower bathlift, press the Down button (blue). The lift lowers until it reaches its end position, then the backrest is tilted back automatically. The drive switches off automatically in the end position. However, the backrest can be reclined to an angle in between by simply releasing the button once the required angle has been achieved.

### ➤ **Attention: if the backrest pushes against the wall of the bath release the blue button immediately!**



# Installation and use

6. After bathing, press the UP button (yellow) on the hand control to move the lift to a convenient height (max. upper stop position).

**Make sure that the side flaps do not get caught on bath fittings or handles.**

7. Now the person bathing can leave the bath by sliding sideways from the seat surface.

The AquaJoy VALUE switches off automatically after approx. 30 minutes. If you wish to switch off the bathlift manually, press red button on the hand control (the control lamp will go out).

## ➤ Notes:

**When moving up or down, lean against the backrest and leave your hands on your lap.**

**If the lift has to remain in the bath, the hand control should be disconnected to prevent the battery from discharging.**

## ➤ Removing the lift from the bath

Using the hand control, first move the bathlift to its bottom position and allow the backrest to tilt back until the drive stops automatically in its end position. Take note that the backrest does not touch the wall of the bathtub. Now disconnect the hand control.

1. Fold in the side flaps, so that they rest on the seat surface.
2. Use the handles of the drive unit to fold the drive unit down.



3. Make absolutely sure that the lifting rod is always retracted completely.



Correct



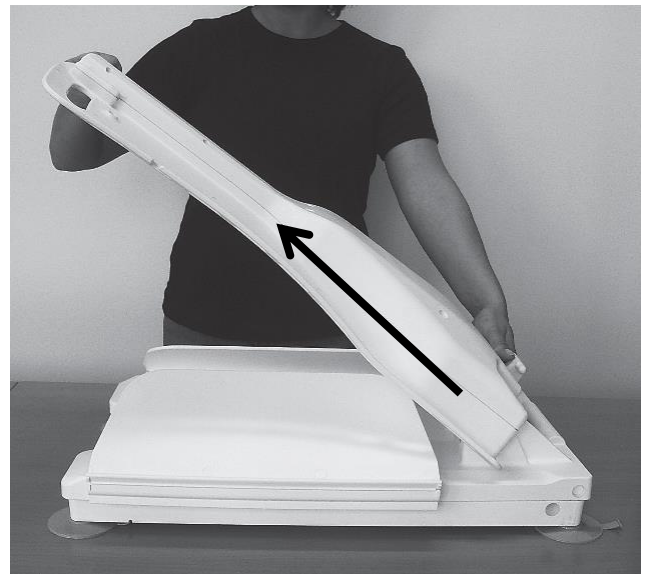
Incorrect



4. Now the drive unit can be removed from the seat unit in the direction of the arrow (see illustration)

➤ **Note:** The drive unit can only be removed at a specific angle. When it is completely folded down and locked, it cannot be removed from the seat unit. Bring the backrest into the position shown in our illustration; then remove the drive unit in the direction of the arrow

5. Remove the two rear suction cups by pulling the tongues. Then lift off the rear part of the baseplate. This action will loosen the front suction cups, which are self-venting. The seat unit can now be removed from the bathtub.



# Maintenance and Care

## ➤ Maintenance of the bathlift

The AquaJoy VALUE is equipped with maintenance free bearings and does not need any lubrication.

A periodic maintenance check of the bathlift has to be conducted at least every 12 months. This check includes a visual inspection of all parts in particular load-bearing parts. It also includes all the necessary function tests. If the inspection reveals any defects, wear or other signs of damage, which might affect the safety of the bathlift, the bathlift has to be made inoperative until the defects are remedied. All inspections have to be carried out by qualified and trained personnel who have sufficient skills and practical experience to perform such safety-relevant work in an appropriate manner. These qualified personnel have to remain independent with regard to the tests and inspections being carried out.

Please ask your bathlift specialist to arrange for periodic inspections.

Your bathlift specialist has the necessary spare parts lists and documentation available for you.

Please have repair work carried out by authorised specialist dealers only.

➤ **Attention: The hand control must only be opened by the bathlift manufacturer!**

## ➤ Cleaning

To keep the bathlift in a perfect condition it must be cleaned immediately after use (preferably by showering it with hot water).

Carefully clean the bathlift under the shower after each use. To clean the bathlift (without covers), please use commercial disinfectants or bath cleansers.

## ➤ Maintenance of seat covers

The material of the removable covers is very hygienic due to its smooth surface and antibacterial properties.

The maintenance of the covers requires regular cleaning, either by hand or in the washing machine at 60°C (140° F). Please use a non-bio detergent without any enzyme additives. Please note that bath oils or other additives containing oils may lead to discoloration of the covers. Discoloration can also occur if the covers are not cleaned regularly.

➤ **Note: Discolorations of the covers are caused by normal wear and are excluded from the warranty.**

➤ The covers can be removed very easily for cleaning.

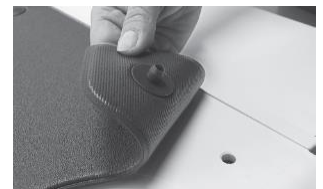
➤ **Do not dry the covers in the tumble dryer**, but hang them on a line to dry.

➤ In addition, the use of a commercial disinfectant is recommended.

➤ Please observe the manufacturer's instructions!

## ➤ Assembly of new cushion plugs for the bathlift covers

First guide the new cushion plug through the opening in the cushion (from top to bottom); then press it into the washer at the underside.





## ➤ Maintenance of the battery charger

The charging unit does not require any maintenance. The housing must only be cleaned with mild detergents that are free from solvents, or by means of a damp cloth. Make sure that no liquid enters into the charging unit. Before using the charging unit again, always make sure that the unit is completely dry. If necessary, store the unit in a dry, ventilated place for several hours without connecting it to mains power.

## ➤ Attention:

**Before cleaning the battery charger it must be completely disconnected from the mains power (always make sure to pull the mains power plug).**

## ➤ Charging the storage battery

Make sure that the battery is fully charged before use! The voltage rating on the charging unit has to be compatible with the voltage of your power supply. (e.g. 220V – 240V in Europe, and 110V in USA).

1. Plug the jack plug of the battery charger into the socket on the spiral cord of the hand control until the jack plug is locked in.
2. Insert the mains plug of the battery charger into a socket. The red control lamp on the hand control will be light up until the battery is charged – after that, it will change to green. If you want to charge the battery completely, leave it connected to the charging unit. The control unit of the battery charger will terminate the charging process after approx. 4 hours. This prevents that the battery from being over-charged.
3. Remove the mains power plug from the socket.
4. Remove the jack plug of the battery charger from the socket on the hand control.



## ➤ Important information:

If the control lamp is not lit up after connecting the hand control, please check the following:

**Connections** (is the jack plug fully plugged into the charging socket?)

Use the battery charger only in closed rooms and protect it against water and humidity. **Do not use the battery charger in the bath- room.**

## ➤ Note:

**If the battery charger is damaged, please return it to the supplier for inspection.**

# Transport/Mobile Use

Please observe the following instructions for mobile use:

1. **Remove the hand control from the bathlift and transport separately.**
2. Always protect the bathlift against sliding or slipping during the transportation (e.g. in a car).

3. If the battery is subjected to low temperatures (e.g. storage in a car in the winter), always allow the battery to warm up to room temperature and charge as necessary.

4. When lifting the units, please note that the seat unit weighs approx. 5.5 kg (12.1 lb) and the drive unit (without hand control) weighs approx. 3.8 kg (8.37 lb).

## ➤ Transport as two separate units

The seat and drive units can be transported easily with two hand grips.





## ➤ Transport in an interlocked condition

The bathlift can also be transported as a complete unit in an interlocked condition.



## ➤ Technical Data AquaJoy VALUE bathlift

Overall length (with backrest in a reclined position)	approx. 830 mm (32.7 in)
Overall width (seat incl. side flaps)	approx. 700 mm (27.6 in)
Width of seat	approx. 350 mm (13.8 in)
Depth of seat	approx. 420 mm (16.5 in)
Overall length of seat	approx. 570 mm (22.4 in)
Sitting height min.	approx. 60 mm (2.4 in)
Sitting height max.	approx. 480 mm (18.9 in)
Height of backrest	approx. 640 mm (25.2 in)
Width of backrest	approx. 320 – 360 mm (12.5 – 14.2 in)
Backrest adjustment	10° – max. 50°
Width of baseplate	approx. 310 mm (12.2 in)
Length of baseplate	approx. 560 mm (22.1 in)
Load capacity max.	140 kg
Total weight (excl. hand control)	approx. 9,3 kg (20.5 lb)
Total weight (incl. hand control)	approx. 9,7 kg (21.4 lb)
Weight of hand control incl. battery	approx. 0,4 kg (0.88 lb)
Weight of drive unit	approx. 3,8 kg (8.37 lb)
Weight of seat unit	approx. 5,5 kg (12.1 lb)
Duration of lifting/lowering movement, each	approx. 50 seconds under load
Operating voltage	12 V 
Storage battery (lithium-ion)	12 V / 1,3 Ah re-chargeable (see designation on housing)
Automatic shutdown	max. 30 minutes
Power input	90 W max. 12 V
 Type of application part (B)	
Protection class	IP X7
Power to push the button of the hand control	3 N

## ➤ General Operating Conditions

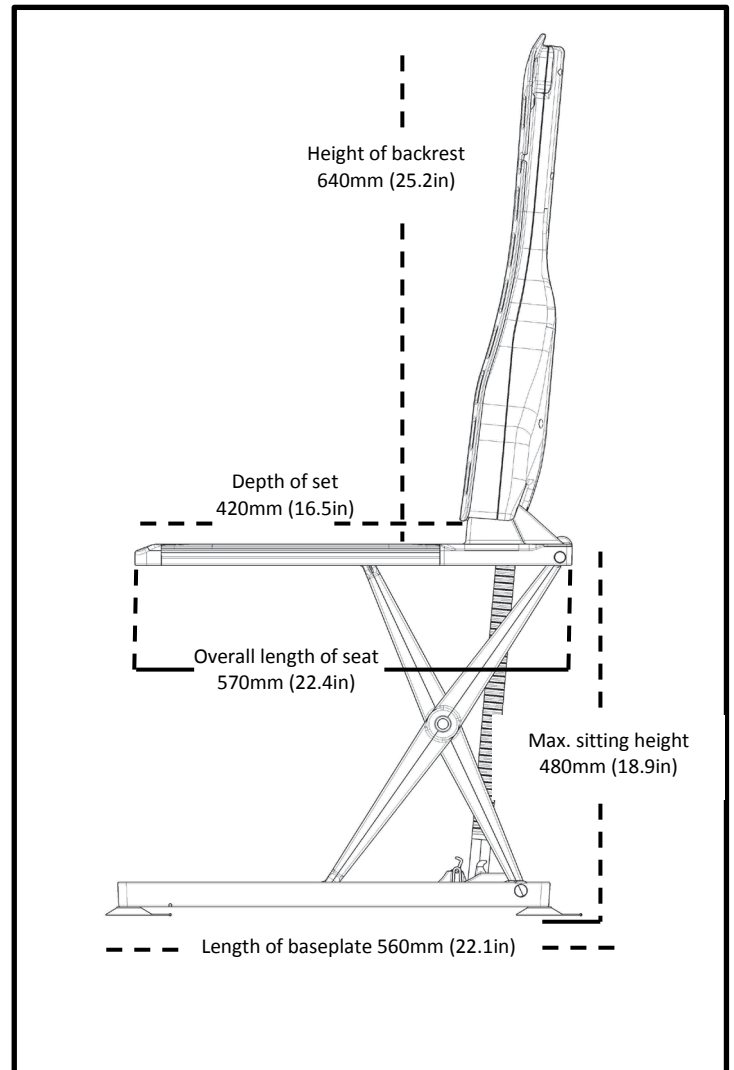
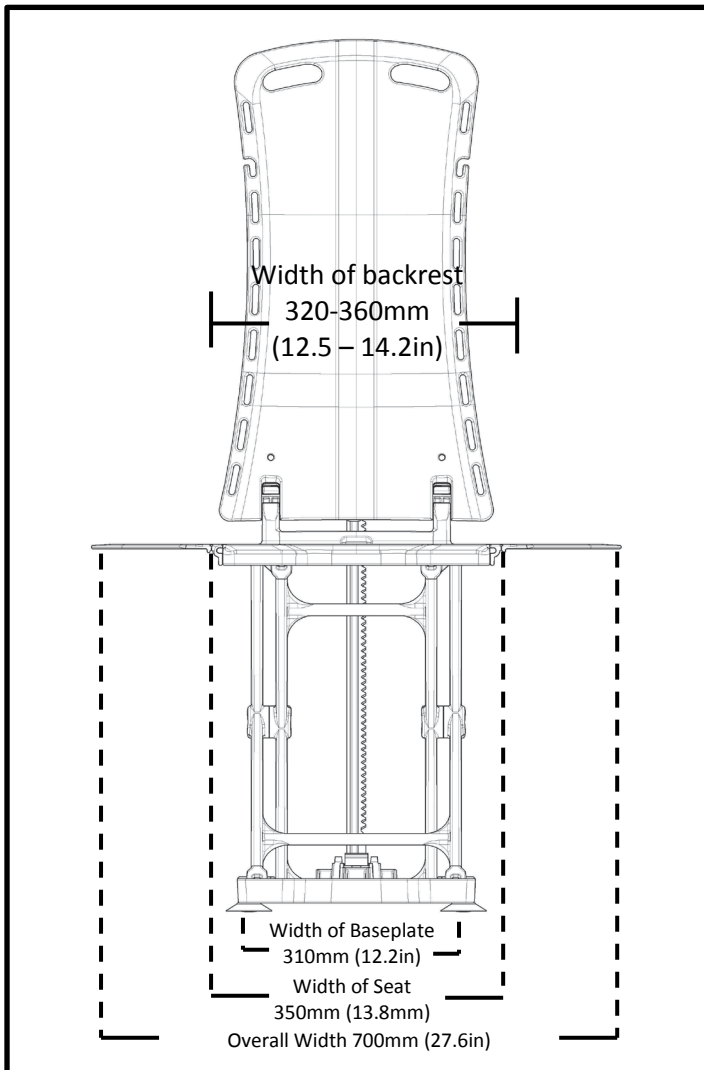
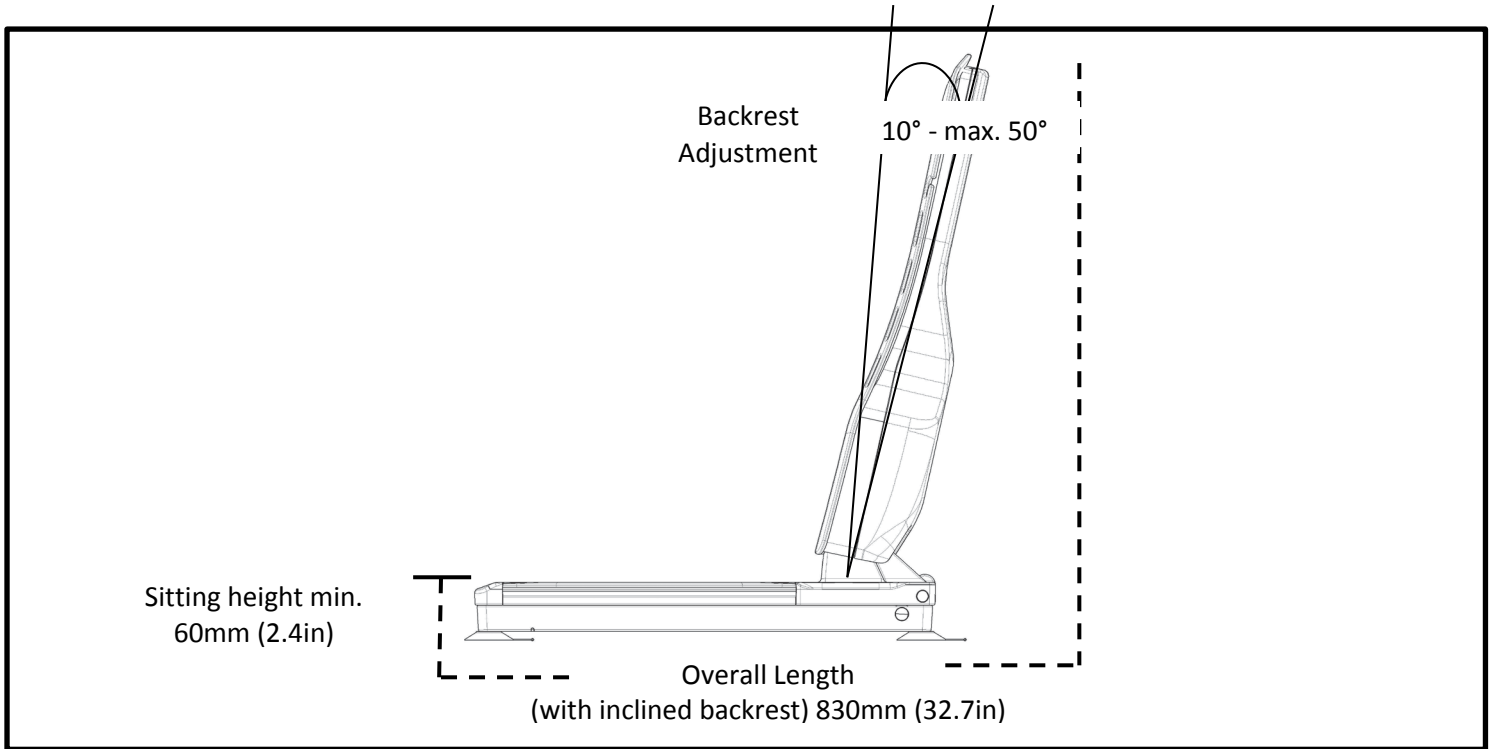
### ▪ Ambient conditions for operation:

Temperature	+ 10° C ..... + 50° C	(+ 50° F..... + 122° F)
Relative Air Humidity	10..... 100%	
Air Pressure	700 hPa....1060hPa	

### ▪ Ambient conditions for transport and storage:

Temperature	– 10° C ..... + 40° C	(- 50° F .....+ 104° F)
Relative Air Humidity	10..... 100%	
Air Pressure	700 hPa....1060hPa	
Sound Pressure Level	54 dB A	

# Appendix



## ➤ Troubleshooting

Error	Possible Cause	Remedy
<i>Lift does not move</i>	<ul style="list-style-type: none"> <li>* Battery is flat</li> <li>* Contacts on hand control are contaminated</li> <li>* Hand control is not connected properly</li> </ul>	<ul style="list-style-type: none"> <li>- Charge Battery</li> <li>- Unplug hand control; wipe contacts with a dry cloth and plug hand control in again</li> <li>- Check plug-type connections</li> </ul>
<i>Lift stops repeatedly</i>	<ul style="list-style-type: none"> <li>* Battery is flat</li> <li>* Excessive lifting load</li> <li>* Jack plug not fully plugged</li> </ul>	<ul style="list-style-type: none"> <li>- Charge Battery</li> <li>- Reduce lifting load (note max. Load ratings, see type label on The bathlift)</li> <li>- Check jack plug connection</li> </ul>
<i>Battery does not charge</i>	<ul style="list-style-type: none"> <li>* Not connected to mains power</li> <li>* Contaminated contacts</li> </ul>	<ul style="list-style-type: none"> <li>- Connect battery charger To mains power</li> <li>- Wipe contacts with dry cloth</li> </ul>
<i>Hand control does not function properly</i>	<ul style="list-style-type: none"> <li>* Jack plug not plugged in fully</li> </ul>	<ul style="list-style-type: none"> <li>- Ensure jack plug is fully plugged in</li> </ul>

## ➤ Important remark concerning troubleshooting:

If it is not possible to operate the bathlift despite observing all of the above-mentioned information, please contact the specialist dealer who sold the device.

### ➤ Notes concerning the disposal

The disposal and re-utilisation of old devices and equipment has to be in compliance with the relevant legal stipulations.

Devices subject to the Regulations concerning electrical and electronic devices (elektroG) are listed as medical products for professional users B2B in the register of the foundation "elektro-Altgeräte-Register".

Our registration number is DE 33275322

### ➤ Re-use/Recycling

This product is suitable for re-use. The number of re-uses depends on the condition of the product. The manufacturer's instructions have to be followed for re-cycling. If necessary, these instructions will be made available on request.

## ➤ Warranty

There is a comprehensive warranty on the bathlift, guaranteeing against design and manufacturing defects. The warranty applies to both commercial and domestic applications subject to the conditions stated. AquaJoy By Drive have provided this warranty free-of-charge to the first time purchaser or user only. The warranty is not transferrable to another user, irrespective of how the product is passed on or sold on.

To qualify for the warranty, the customer must request replacement parts through outlet from whom they purchased the devices. They must present an original invoice, delivery note or date stamp from the outlet. The bathlift must be serviced or inspected every 12 months by a competent person. Proof of service in the form of an invoice or service certificate may be requested.

The warranty guarantees the motor and other electronic parts for 2 years from date of delivery or purchase. The covers and suckers are guaranteed for 1 year from date of delivery or purchase. The frame is guaranteed for the lifetime of the device.

In the event of any part or product developing a manufacturing or design defect within the warranty period, replacement parts will be supplied free of charge. Damage due to natural wear and tear, accidental damage or misuse is not covered by the warranty.

The warranty will become invalid if the device is changed or repaired by unauthorised persons or in an incorrect manner. Any further claims may also be excluded. We will not be liable for any direct or indirect defects, damages or costs in connection with the use or inability to use the device for any purpose.

This does not affect your statutory rights.

This warranty applies to bathlifts supplied by AquaJoy By Drive from 01 January 2016.

AquaJoy By Drive offers a manufacturer's warranty for the product in accordance with our General Terms and Conditions for the corresponding country.

Warranty claims can only be made through the dealer from whom the product was purchased. Exceptions to this include covers, suction cups, the manual control, the power supply unit and parts subject to wear.

## ➤ Accessories and spare parts

The list below shows the order numbers (part numbers) for original accessories and original spare parts supplied by AquaJoy By Drive:

Article	Order Number
---------	--------------

### Seat and backrest covers

Cover-Set Classic, white	460800252
Cover-Set Classic, blue	460800312
Cover-Set Classic, grey	460800432
Cover-Set Comfort, white	460900252
Cover-Set Comfort, blue	460900312
Cover-Set Comfort, grey	460900432

### Spare Parts

Power supply UK	460900402
Plug + washer for Cover Classic & Comfort (1 ea.), white	415252
Plug + washer for Cover Classic & Comfort (1 ea.), blue	415312
Suction cup Ø 75 mm with clip, transparent	460900224
Suction cup Ø 130 mm with clip, transparent	K504A x 2
Set of suction cups 4 x Ø 75 mm with clips, transparent	460900225
Set of suction cups 4 x Ø 130 mm with clips, transparent	K504A x 4
Hand control including storage battery	460900600

### Accessories

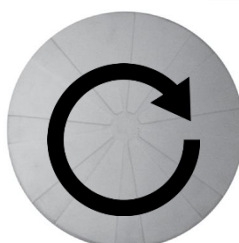
Headrest, padded, white	410200252
Headrest, padded, blue	410200312
Headrest, padded, grey	410200432
Turning and transfer aid, VITATURN L	412100200
Turning aid VITATURN K	412100100
Side flap protector, set of 2 ea	400570



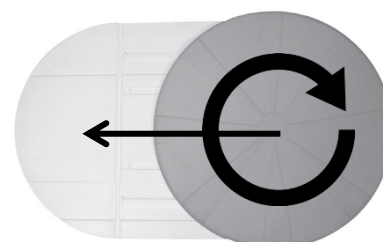
Headrest



Side Flap Protector



Vitaturn K



Vitaturn L

# Appendix

## ➤ Explanation of symbols



CE-label. This product fulfils all the fundamental requirements of the EU Directive concerning Medical Products, 93/42/EWG



Direct Current

## ➤ Important Note



The bathlift cannot be disposed as an unsorted municipal solid waste, according to the EU Directive 2002/96/EU. Therefore, please dispose of the bathlift at your local collecting point.

## ➤ Type labels

There are two product labels on the bathlift – on the seat unit and drive unit. The product label of the seat is provided underneath the seat; the product label of the drive unit is provided at the rear side. Next to the general technical remarks on the product label there are two entries, which are important for maintenance, repair and guarantee claims:



(WW/YY)

Week and year of manufacture of bathlift

SN

Serial number of bathlift



Type of application part (B)

## ➤ Notes concerning these operating instructions

These instructions were produced with special care. We do not assume liability for the correctness of figures, graphs, technical data and electrical values or for typographical errors.

Any form of reproduction of these instructions requires our prior written permission.

Subject to technical changes, errors excepted.