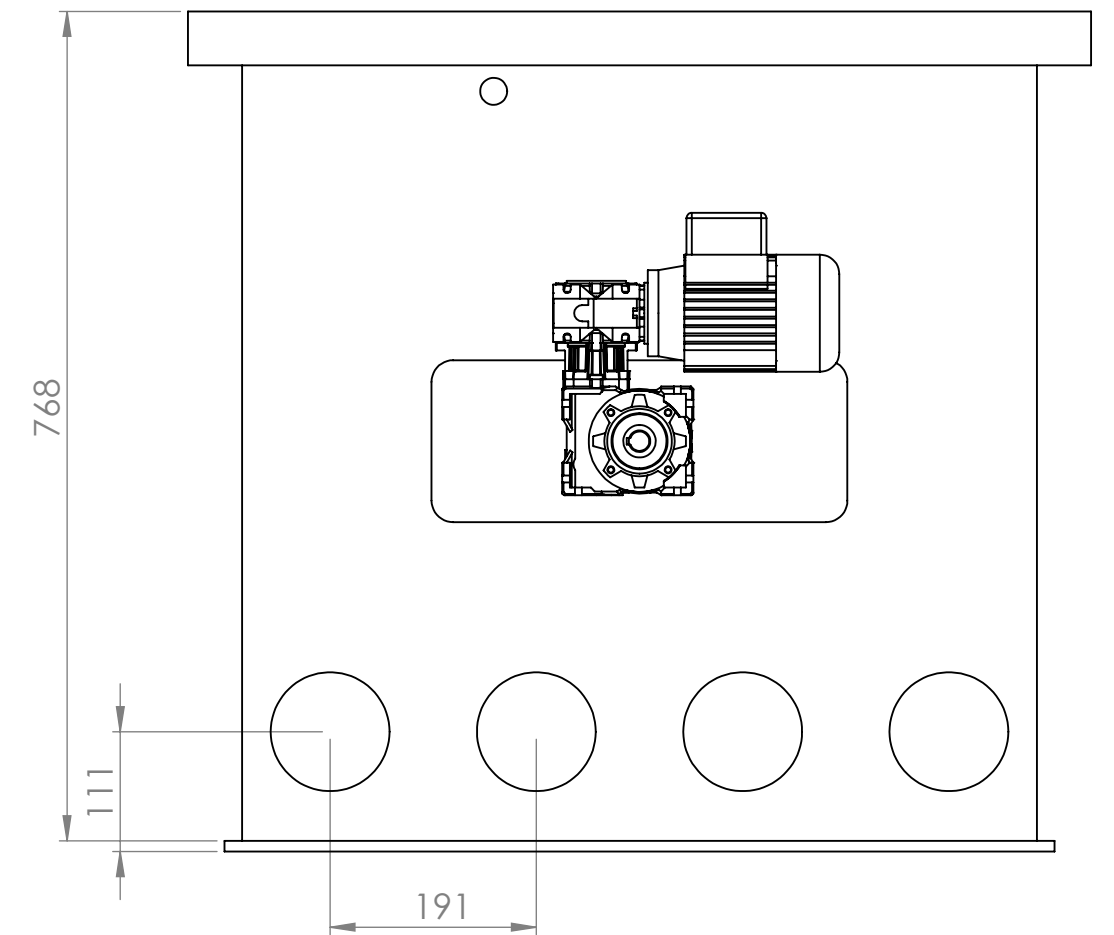
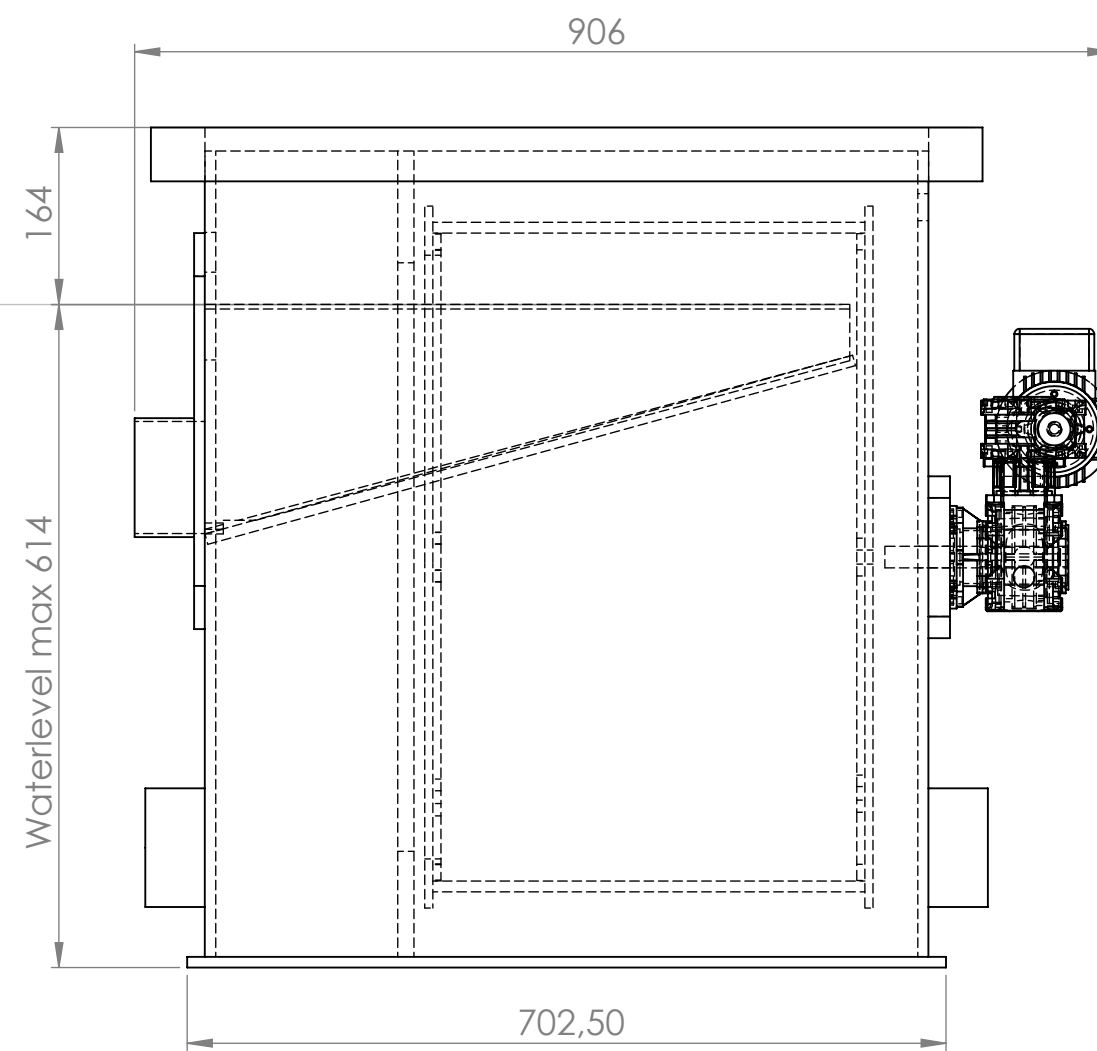
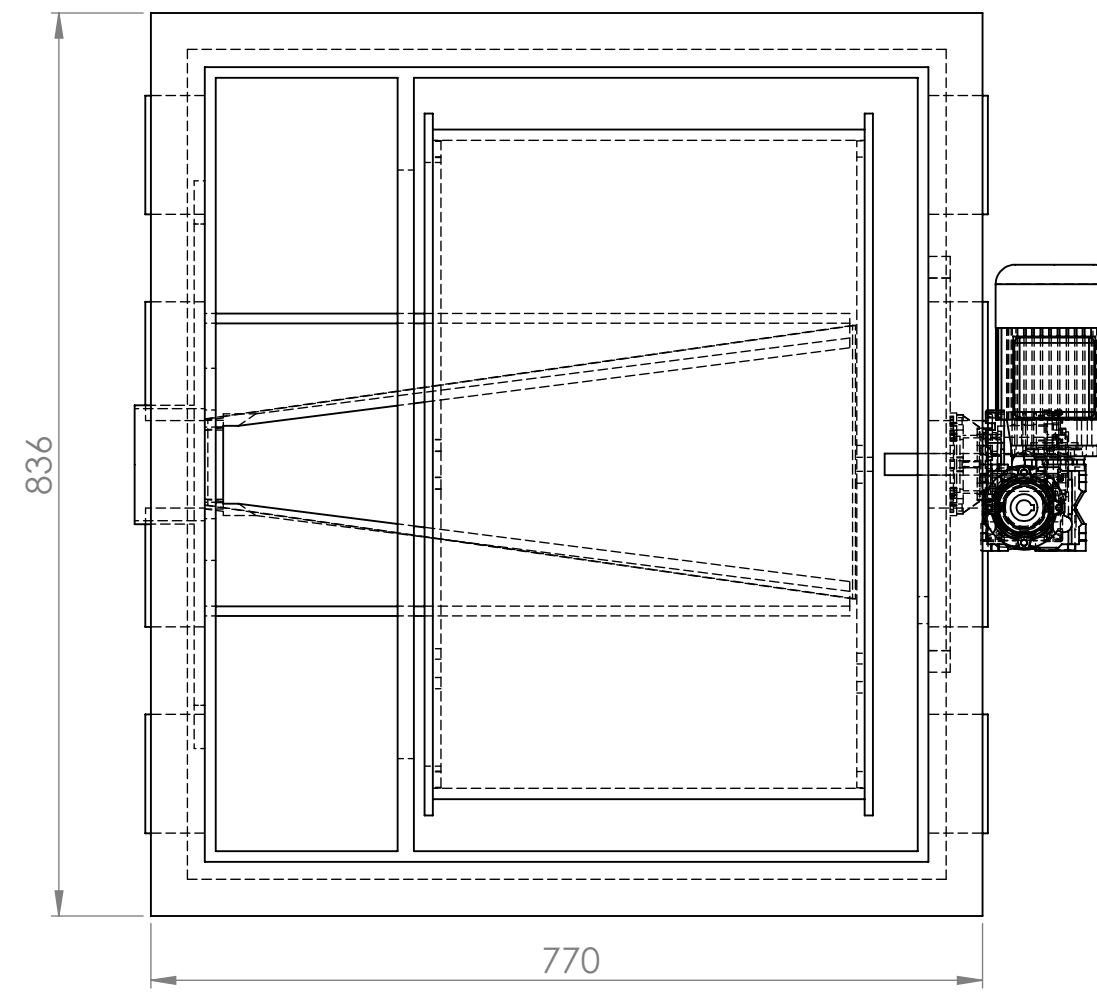


waterlevel



UNLESS OTHERWISE SPECIFIED: DIMENSIONS ARE IN MILLIMETERS SURFACE FINISH: TOLERANCES: LINEAR: ANGULAR:				FINISH:	DEBUR AND BREAK SHARP EDGES	DO NOT SCALE DRAWING	REVISION
DRAWN	NAME	SIGNATURE	DATE			TITLE:	
CHK'D							
APP'VD							
MFG							
Q.A					MATERIAL:	DWG NO.	
						MPF Drum 50 Pro	A2
					WEIGHT:	SCALE:1:10	SHEET 1 OF 1