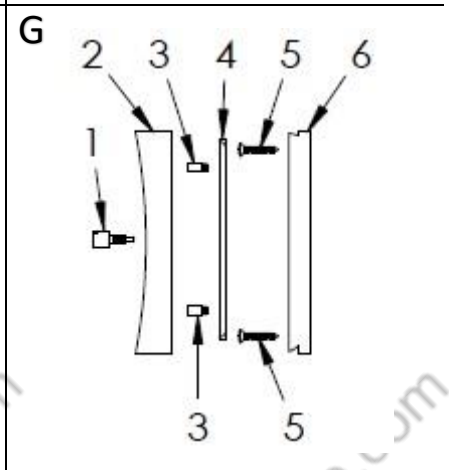
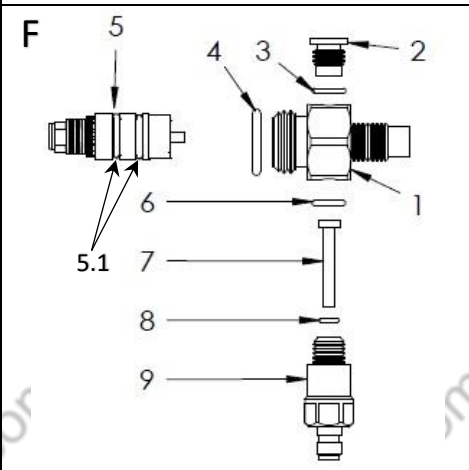
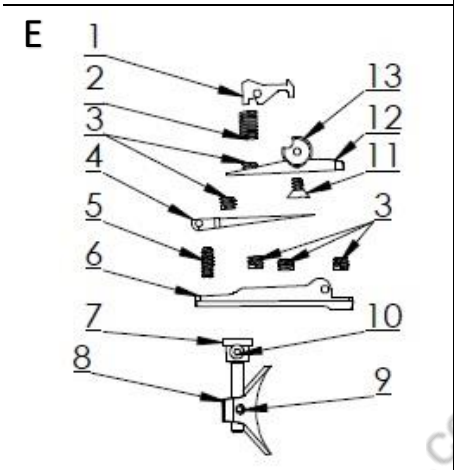
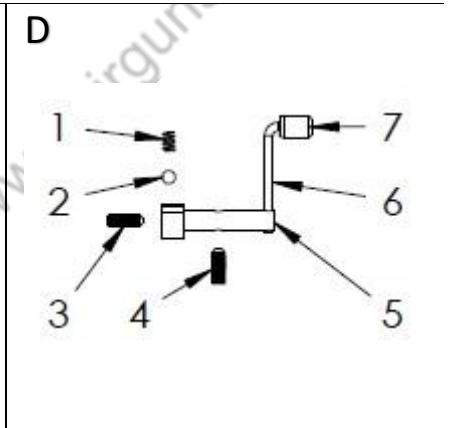
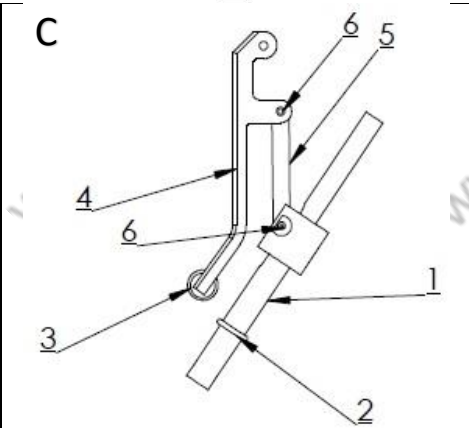
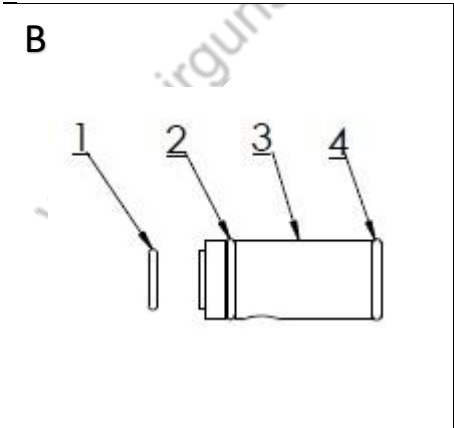
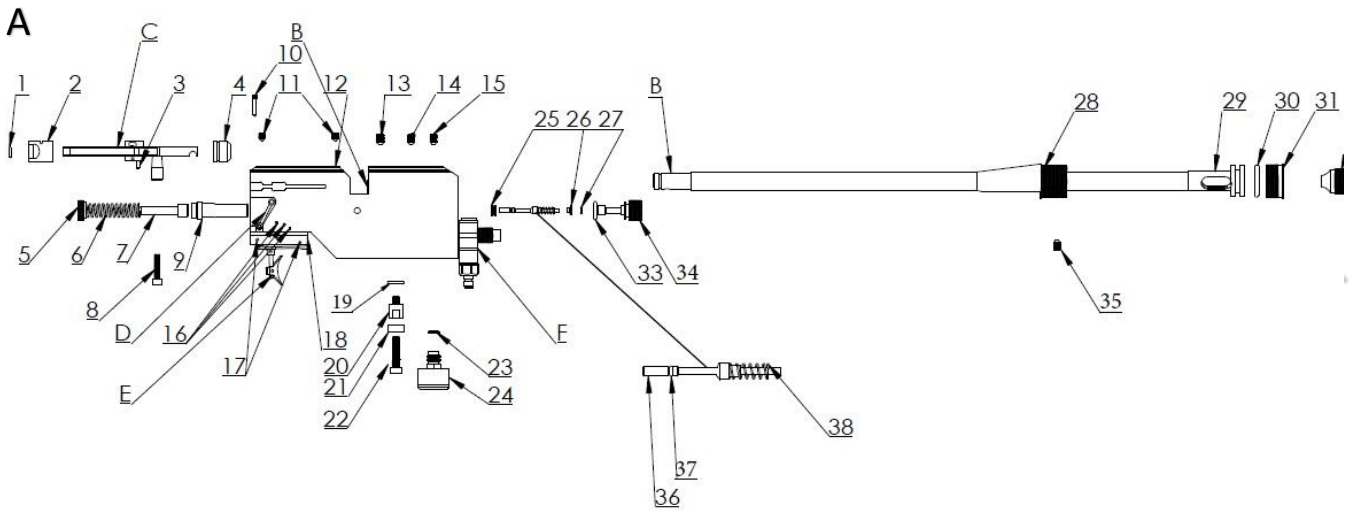


Model	Other model names	Date	Revision	Revision date
FX Boss		2018-06-19	EN.21.02	2021-04-26



Model	Other model names	Date	Revision	Revision date
FX Boss		2018-06-19	EN.21.02	2021-04-26

NO	ART. NO	DESCRIPTION	NO	ART. NO	DESCRIPTION
1	19018	Stock Royale Synthetic	C2	19225	O-ring 7,5x2,0 NBR70
2	0315	Bottle 500cc complete	C3	19037	Side lever Handle v7
3	19206	Barrel 7,62-14-600	C4	19020	Side lever v7
4	19099	Shroud 345mm R5	C5	19021	Side lever linkage V7
A1	5108	O-ring 5,28x1,78 PUR70?	C6	19026	Cylindrical pin 2,5m6x6
A2	19029	Rear pellet probe guide	D1	11503	Spring 0,5x2,5x4,4 TR-AT
A3	11509	CPK 3h6x10	D2	11527	Steelball 3,175 V1.2.3.4.5
A4	19211	Black plastic bushing .30 16x12	D3	11633	Grub screw M2,5x8
A5	11541	Hammer spring adjuster	D4	11508	Grub screw M3x10
A6	11500	Hammer spring	D5	11027	Safetypivot
A7	17003	Hammer weight	D6	11625	Safety lever 27,5mm Cyclone, Cutlas, Rancho.
A8	11060	Socket head cap screw M3x18	D7	11200	Safety knob
A9	19039	Hammer v7	E1	19177	Trigger sear v7
A10	19034	Screw m3 "special"v7	E2	17046	Spring 0,5x3,5x15
A11	2534	Stop screw 5x6 with tip	E3	16092	Screw stop M3x4
A12	19126	Main block Boss	E4	19168	Match trigger rail
A13	19224	Cup point grub screw M8x8	E5	16092	Screw stop M3x4
A14	19086	Screw stop 6x8	E6	19167	Match trigger base
A15	19086	Screw stop 6x8	E7	19137	Trigger pin
A16	19040	Cylindrical pin 2m6x23,5	E8	19136	Adjustable trigger blade
A17	19213	Cylindrical pin 2h6x10	E9	12035	Screw stop M2,5x2,5
A18	19165	Match trigger house	E10	19178	Screw M2x4
A19	19208	O-ring 7x1,5 NBR 70	E11	19025	Countersunk screw M5x8
A20	19203	Stock attachment M8	E12	19166	Trigger wheel base
A21	16044	Stock spacer	E13	11525	Trigger wheel
A22	15035	Screw M5x18 (synthetic stock)	F1	19008	Tube receiver M20x1 V7
A22	14500	Screw M5x16 (laminat & walnut)	F2	19035	Plug 1/8" V7
A22	4535	Socket head cap screw M5x14	F3	5112	O-ring 5,28x1,78 NBR70
A23	5005	Plastic washer 2mm	F4	19088	O-ring 15,88x2,62 NBR90
A24	11505	Pressure gauge 25mm 1/8"	F5	-	See "Regulator pressure chart" schematic
A25	19217	Valve seat Cal.30 Complete	F5.1	5109	O-ring 11,6 x 2,4 NBR 70 (already included in regulator mounted)
A26	19038	Springseat v7	F6	4528	O-ring 7,66x1,78 NBR70
A27	5111	O-ring 2,5 x 1,5 NBR 90	F7	19005	Inlet valve rod - Blue
A28	19032	Shroud cone	F8	5107	O-ring 2,9x1,78 PUR90
A29	19204	Shroud compensator 7,62	F9	19062	Quick connector male
A30	19098	O-ring 18,0x4,0 NBR 70	G1-6	16051	Adjustable recoil pad
A31	18010	Muzzle thread insert			
A32	19212	Muzzle .30			
A33	5105	O-ring 9,3x2,4 NBR90			
A34	19009	Guide M16			
A35	11201	Cup point grub screw M5x4			
A36	7019	Valve pin SHP - Complete			
A37	2528	O-ring 1,5x1 NBR70			
A38	2525	Spring 0,6x4x15 VH v1.2			
B1	19209	O-ring 7,5x1,5 NBR70			
B2	19210	O-ring 11,0x1,5 NBR70			
B3	19207	Barrel inlet .30			
B4	19210	O-ring 11,0x1,5 NBR70			
C1	19200	Pellet probe 7,62			