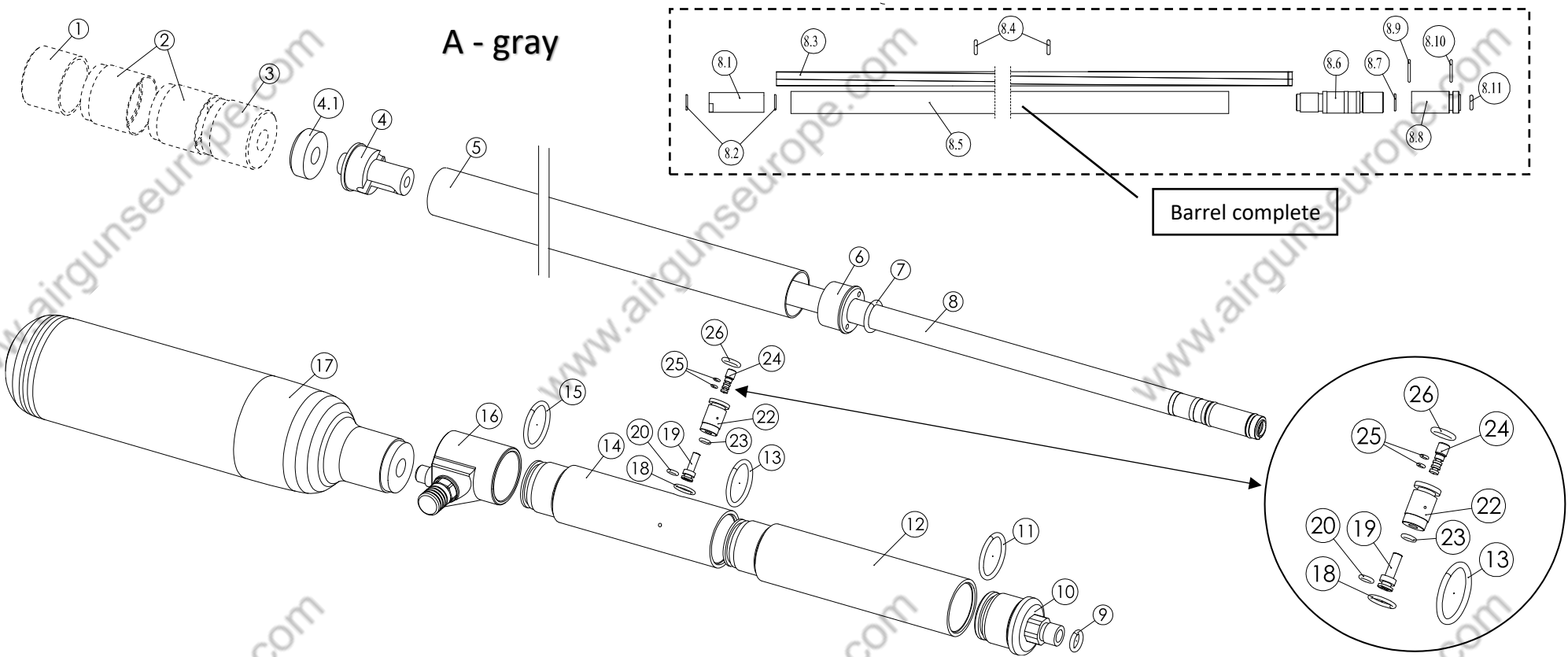
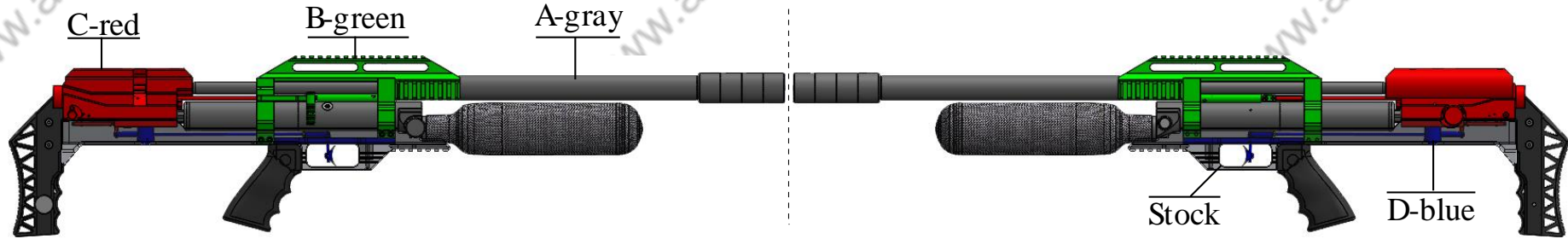
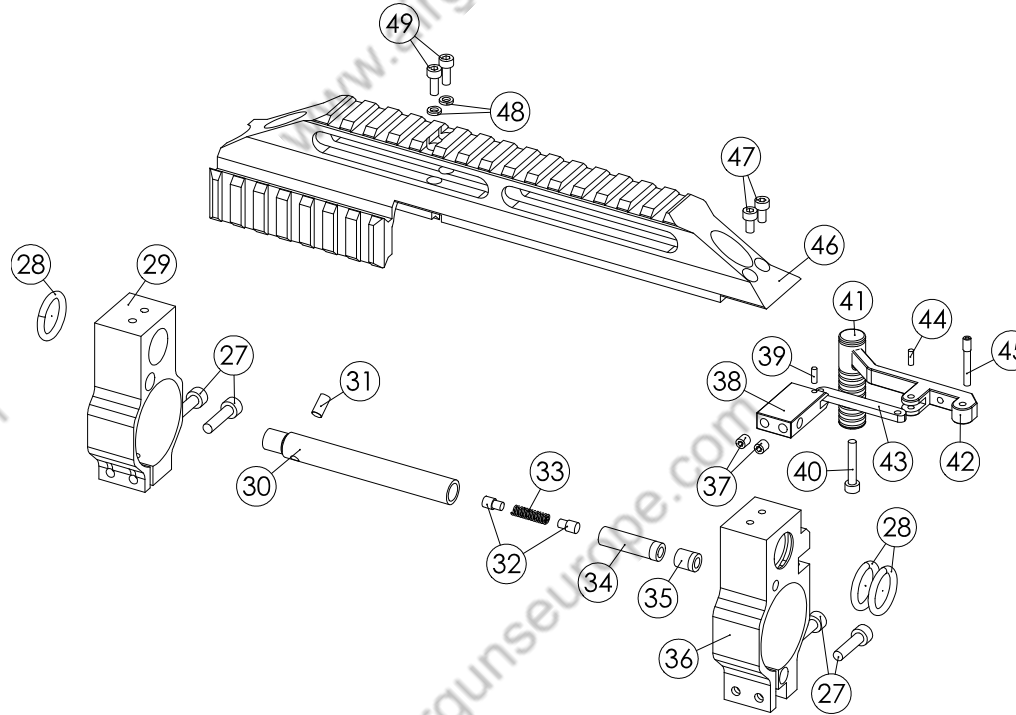


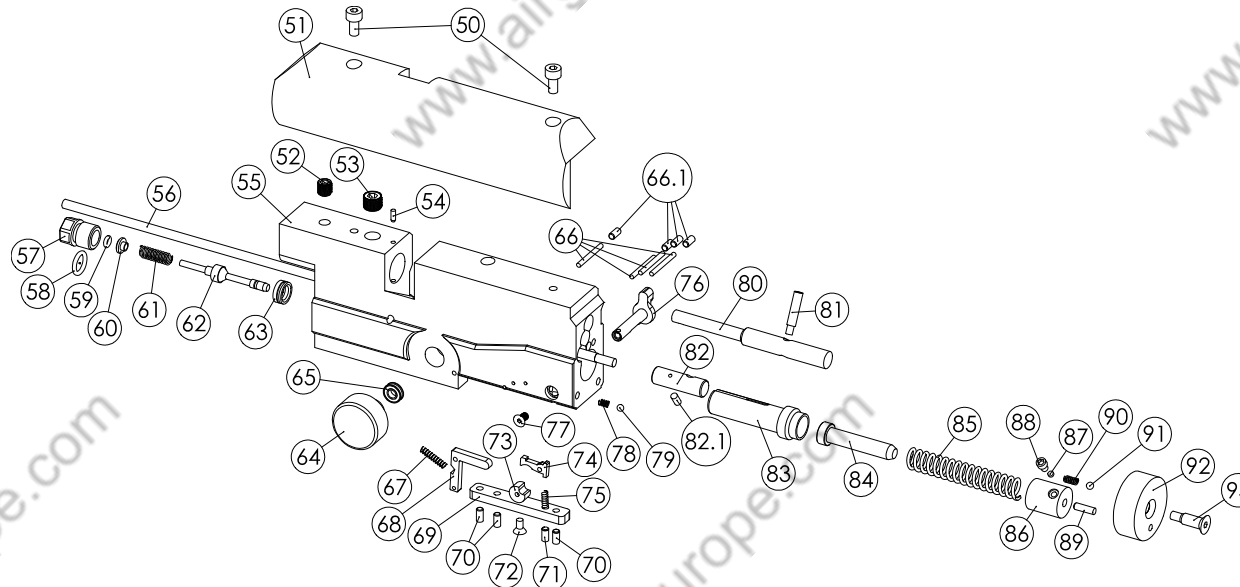
Model	Other model names	Date	Revision	Revision date
FX Maverick		2021-01-14	EN. 21.02	2021-05-12



B - green



C - red



Model
FX Maverick

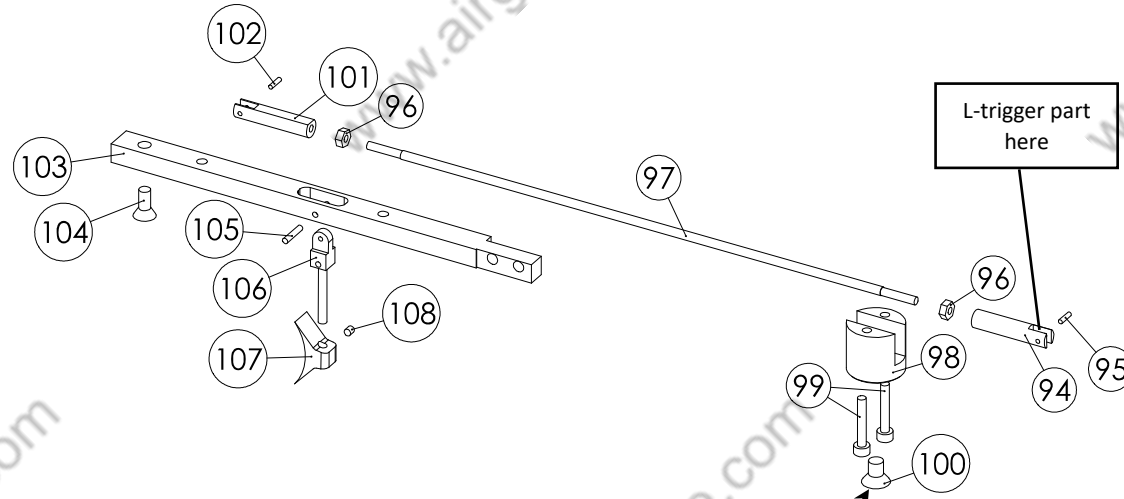
Other model names

Date
2021-01-14

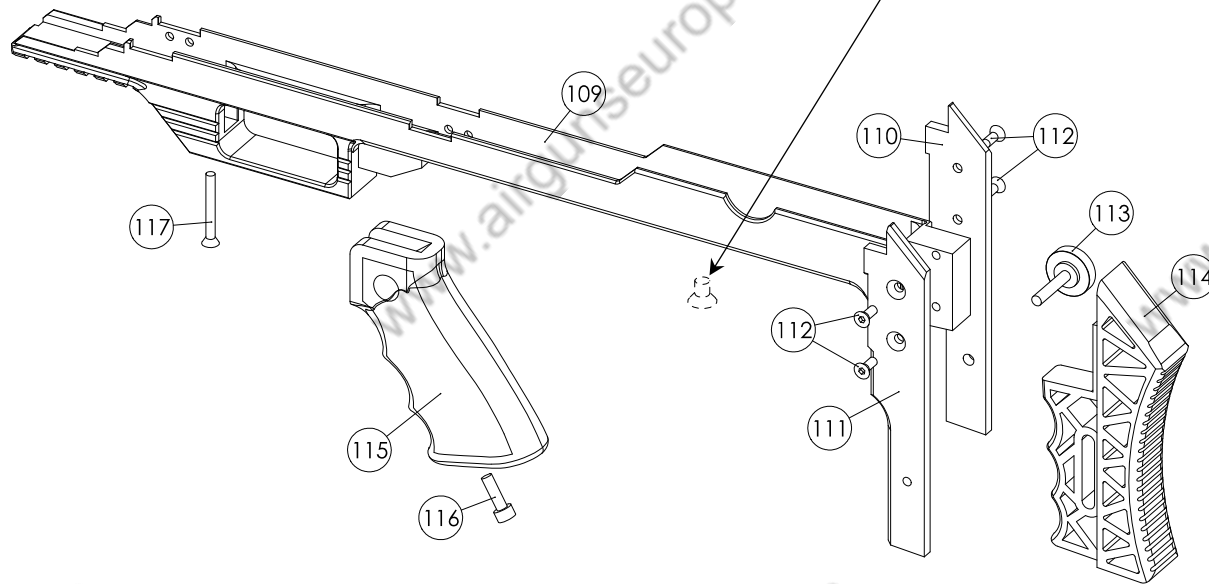
Revision
EN. 21.02

Revision date
2021-05-12

D - blue



E-Stock



Model	Other model names	Date	Revision	Revision date
FX Maverick		2021-01-14	EN. 21.02	2021-05-12

NO	ART. NO	DESCRIPTION	NO	ART. NO	DESCRIPTION	NO	ART. NO	DESCRIPTION
A1*	19663	Shroud endcap .25 35mm	A 8.7 (.177)	19837	O-ring 7x1 NBR 70	B27	5201	Socket Head Cap Screw M4x16
A2*	19680	Shroud Mid Part 35mm	A 8.7 (.22)	19117	O-ring 8x1 NBR 70	B28	12045	O-ring 13,95x2,62 NBR 70
A3*	19997	Shroud Start 35mm UNF 1/2"	A 8.7 (.25)	19954	O-ring 9x1 NBR 70	B29	20385	Front barrel support Maverick
A4*	19794	Compensator fixed .177-.22 UNF1/2"	A 8.7 (.30)	19145	O-ring 10x1 NBR 70	B30	19511	Reloading Rod Guide
A4*	19998	Compensator fixed .25 UNF1/2"	A 8.8	19628	Barrel inlet .177	B31	12033	Conical grub screw M4x8
A4*	19999	Compensator fixed .30 UNF1/2"	A 8.8	19629	Barrel inlet .22	B32	19586	Spring aligner
A4.1**	20176	Muzzle-Thread Cover	A 8.8	19670	Barrel inlet .25	B33	5204	Spring 0,5x3x15
A5	19573	Shroud 230mm Wildcat US .22	A 8.8	19671	Barrel inlet .30	B34	19540	Long reloading rod bushing
A5	19142	Shroud 447mm Extreme	A 8.9	19703	O-ring 10x2 NBR 70 (.177, .22, .25)	B35	19541	Short Bushing For Reloading Rod
A6	19588	Shroud Start Wildcat MKII	A 8.9	19210	O-ring 11x1,5 NBR 70 (.30)	B36	20386	Rear barrel support Maverick
A7	12045	O-ring 13,95x2,62 NBR 70	A 8.10	19703	O-ring 10x2 NBR 70	B37	3007	Grub screw M4x4
A 8.1	19968	Liner Lock .177	A 8.11 (.177)	2529	O-ring 4,3 x 1,5 NBR 70	B38	20301	Slide Mount Wildcat MkIII
A 8.1	19969	Liner Lock .22	A 8.11 (.22)	19726	O-ring 5,5 x 1,5 NBR 70	B39	19042	Cylindrical Pin 2m6x8
A 8.1	19970	Liner Lock .25	A 8.11 (.25)	2575	O-ring 6,35 x 1,27 NBR 70	B40	11060	Socket Head Cap Screw M3x18
A 8.1	19971	Liner Lock .30	A 8.11 (.30)	19209	O-ring 7,5x1,5 NBR 70	B41	19611	Side Lever Handle B2-IM-Wildcat
A 8.2 (.177)	19837	O-ring 7x1 NBR 70	A9	19486	O-ring 8,3x2,4 NBR 70	B42	20398	Side Lever
A 8.2 (.22)	19117	O-ring 8x1 NBR 70	A10	20377	Rear tube end Wildcat MkIII	B43	19021	Side Lever Linkage
A 8.3	19964	STX Liner .177 500mm	A11	19485	O-ring 23,0x2,5 NBR 70	B44	19026	Cylindrical pin 2,5m6x6
A 8.3	19965	STX Liner .22 500mm Superior	A12	20268	Power adapter Dreamline	B45	19034	Screw M3 Special
A 8.3	20011	STX Liner .22 600mm Superior	A13	19485	O-ring 23,0x2,5 NBR 70	B46	20384	Rail Maverick
A 8.3	20204	STX Liner .22 700mm Superior	A14	20325	Power adapter with regulator hole	B47	19713	Socket head cap screw M3x6
A 8.3	19976	STX Liner .25 500mm Superior	A15	19485	O-ring 23,0x2,5 NBR 70	B48	19736	Plastic Washer 5,3x3,1x1
A 8.3	19966	STX Liner .25 600mm Superior	A16	20148	Bottle adapter Dreamline complete, see schematic F10101	B49	12610	Socket head cap screw M3x8
A 8.3	19977	STX liner .25 700mm Superior						
A 8.3	20369	STX Liner .30 500mm Superior	A17	-	Airbottle, see Bottle schematic			
A 8.3	19967	STX Liner .30 600mm Superior	A18	19790	O-ring 10x1,5 NBR90			
A 8.3	19978	STX Liner .30 700mm Superior	A19	19696	Regulator rod	C50	5230	Socket head cap screw M4x6
A 8.4 (.177)	19958	O-ring 6,02x2,62 NBR 70	A20	19109	O-ring 4x1,5 NBR70	C51	20361	Cheekrest piece Wildcat MkIII
A 8.4 (.22)	19952	O-ring 5,23x2,62 NBR 70	A21	N/A	N/A	C52	19086	Conical Grub Screw M6x8
A 8.4 (.25)	19953	O-ring 5,5x2 NBR 70	A22	19697-1	Regulator house	C53	19955	Grub screw M8x6
A 8.4 (.30)	2575	O-ring 6,35 x 1,27 NBR 70	A23	19109	O-ring 4x1,5 NBR70	C54	19601	Cylindrical pin 2h6x6, if depth is 24mm
A 8.5	19973	Barrel housing 14x1x435mm	A24	19695	Regulator Screw	C54	2518	Cylindrical pin 2h6x8, if depth is 26mm
A 8.5	19972	Barrel housing 14x1 550mm	A25	19731	O-ring 2x1 NBR90	C55	20380R	Maverick main block
A 8.5	19974	Barrel housing 14x1 650mm	A26	19225	O-ring 7,5x2,0 NBR70	C56	19516	Reloading Rod
A 8.6	19960	Barrel Attachment .177				C57	20318	Valvehouse Wildcat MkIII
A 8.6	19961	Barrel Attachment .22				C58	4528	O-ring 7,66 x 1,78 NBR 70
A 8.6	19962	Barrel Attachment .25				C59	5111	O-ring 2,5 x 1,5 NBR 90
A 8.6	19963	Barrel Attachment .30				C60	19038	Spring seat v7

*=optional, ** = For shroud without shroud extension

Model	Other model names	Date	Revision	Revision date
FX Maverick		2021-01-14	EN. 21.02	2021-05-12

NO	ART. NO	DESCRIPTION	NO	ART. NO	DESCRIPTION	NO	ART. NO	DESCRIPTION
C61	2525	Spring 0,6 x 4 x 15	C86	20300	Spring seat Wildcat MKIII			
C62	19546-1C	Valve pin Wildcat SHP 6,8 cpl.	C87		Puck Indication screw Wildcat MkIII			
-	19546-1	Valve pin Wildcat	C88	20355	Indication screw Wildcat MkIII			
-	19778	Valve gasket 7.4x3x5x2.9 Impact	C89	19481	Cup point grub screw M3x12			
-	2041	Holder Valve Seal	C90	11501	Spring 0,5x2,5x6,1			
-	2528	O-ring 1,5 x 1,0 NBR 70	C91	4066	Steel ball 3mm			
C63	2024C	Valve Seat Mega Complete	C92	20303	Power adjuster Wildcat MKIII			
-	2024	Valve Seat Mega	C93	20306	Power adjuster screw Wildcat MKIII			
-	19108	O-ring 8x1 NBR 90						
C64	19772	Pressure Gauge 23mm Dreamline 300bar						
C65	19762	X-ring 3,63x2,62 NBR 70	D94	19574	Metal Clevis M3 Wildcat			
C66	11502	Cylindrical pin 2h6x20	D95	19585	Cylindrical Pin 1,5m6x6			
C66.1	2500	Grub screw M3x6	D96	19482	Nut M3			
C67	19498	Spring 0,2 x 2,5 x 13,1	D97	19518	Trigger pin Wildcat			
C68	19527	Wildcat L Triggerpart	D98	19515	Stock Mount			
C69	19528	Triggerbase Wildcat	D99	11060	Socket head cap Screw M3x18			
C70	19742	Grub Screw M3x8	D100	19025	Countersunk screw M5x8			
C71	2500	Grub Screw M3x6	D101	19574	Metal Clevis M3 Wildcat			
C72	2504	Countersunk Screw M3x6	D102	19585	Cylindrical Pin 1,5m6x6			
C73	11525	Trigger Wheel	D103	19506	Trigger Mount			
C74	19177	Trigger Sear v7,8,12	D104	2505	Countersunk Screw M4x10			
C75	5204	Spring 0,5 x 3 x 15	D105	19213	Cylindrical Pin 2h6x10			
C76	20388	Safety Maverick	D106	19506	Trigger Mount			
C77	2504	Countersunk screw M3x6	D107	19136	Adjustable Trigger Blade			
C78	11503	Spring 0,5 x 2,5 x 4,4	D108	12035	Grub Screw M2,5x2,5			
C79	4066	Steel ball 3mm						
C80	20319	Pellet probe .177 Wildcat MKIII	E109	20381	Maverick stock			
C80	20320	Pellet probe .22 Wildcat MKIII	E110	20382	Right plate Maverick			
C80	20321	Pellet probe .25 Wildcat MKIII	E111	20383	Left plate Maverick			
C80	20322	Pellet probe .30 Wildcat MKIII	E112	2505	Countersunk screw M4x10			
C81	20305	Pellet probe screw Wildcat MKIII	E113	19728	Adjustment Screw Recoilpad Impact			
C82	20304	Pellet probe carrier Wildcat MKIII	E114	19618	Recoilpad			
C82.1	19491	Cylindrical Pin 3m6x6	E115	19710	Houge Grip Rubber AR15			
C83	19039	Hammer V7	E116	19743	Socket head cap screw M6x20			
C84	19215	Hammer weight	E117	5232	Countersunk screw M4x35			
C85	11500	Hammer spring						