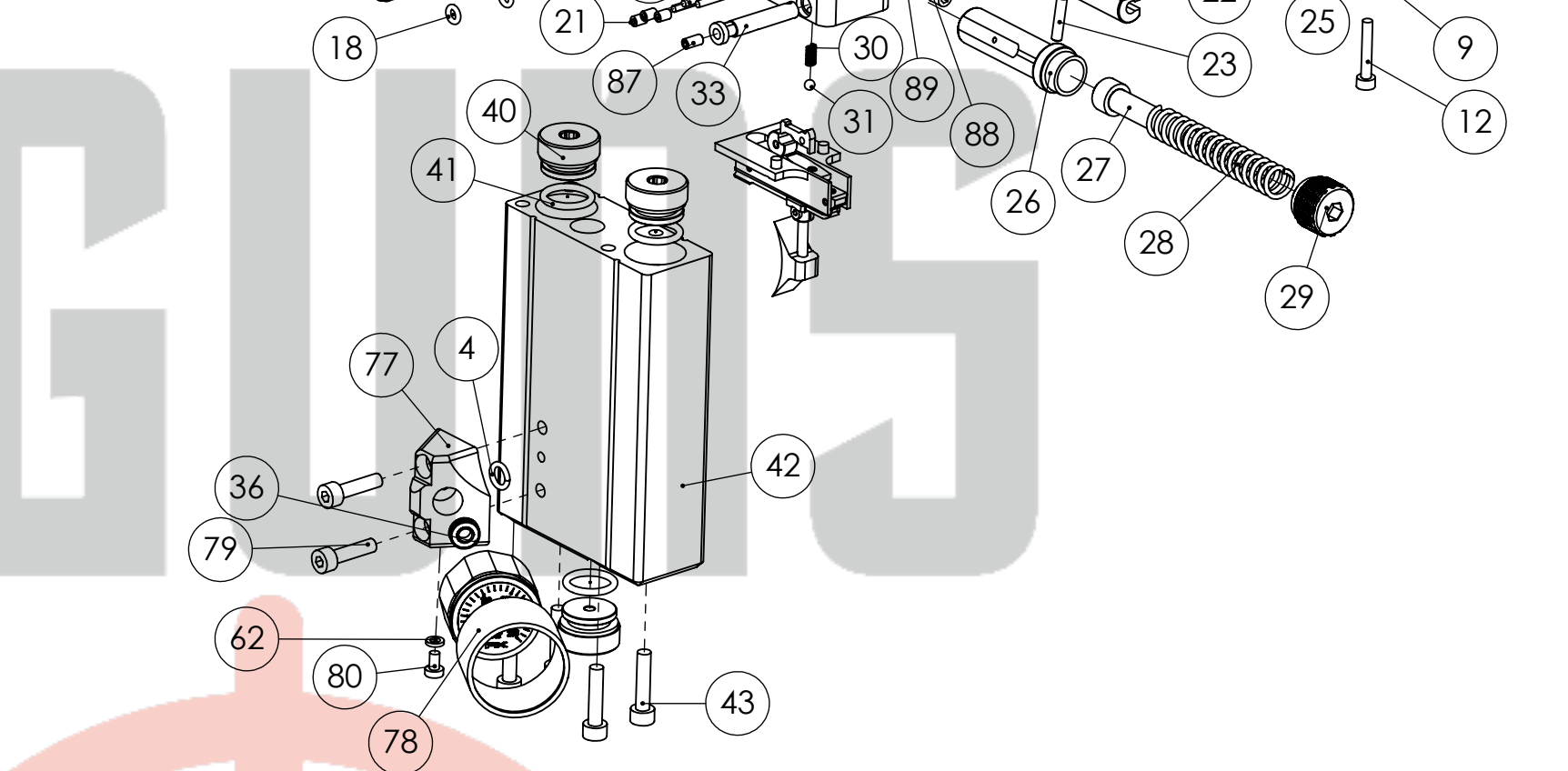
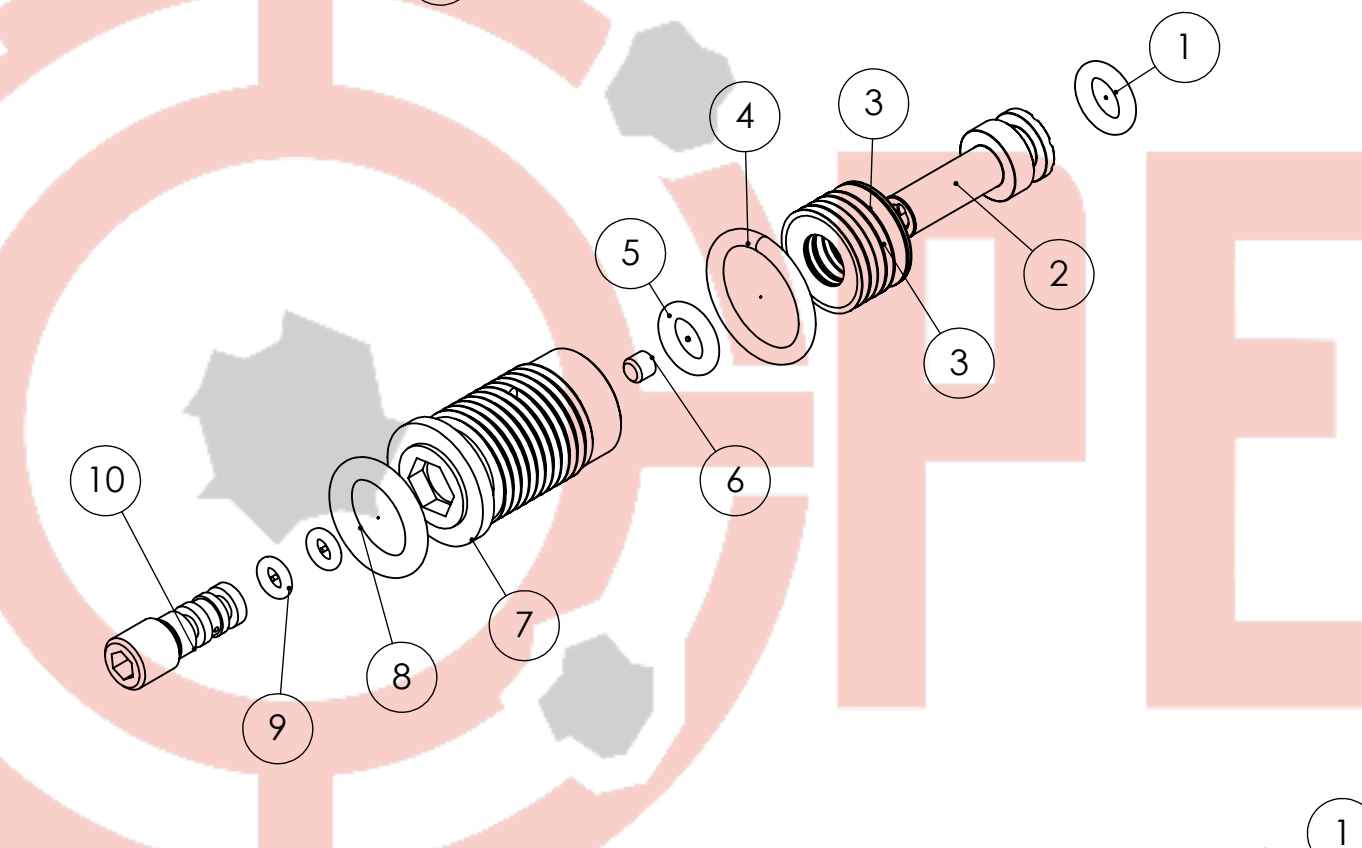


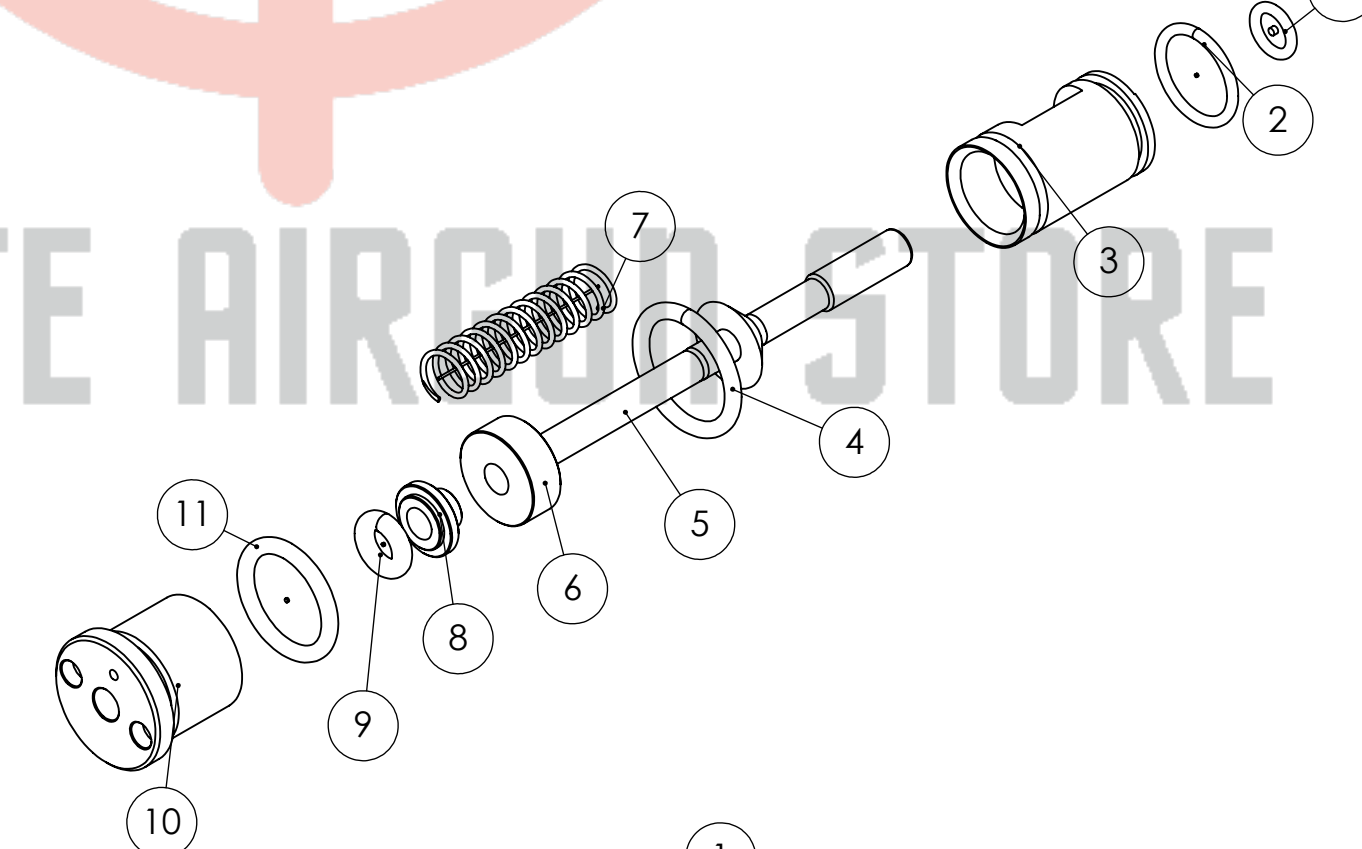
ITEM NO.	PartNo	DESCRIPTION	QTY.
1	20945	Muzzle Thread Cover	1
2	19950	O-ring 14,0 x 2,0 NBR 70	4
3	Support Page	See Schematic	1
4	19726	O-ring 5,5x1,5 NBR70	2
5	19485	O-ring 23,0x2,5 NBR 70	2
6	19955	Grub screw M8x6	1
7	2501	Cup point grub screw M4x6	2
8	19716	Grub screw M4x25	1
9	16100	Magnet 3x5	1
10	19611	Sidelever handle	1
11	20064	Sidelever	1
12	11060	Socket head cap screw M3x18	1
13	11200	Safety knob	1
14	11625	Safety lever	1
15	2562	Cup point grub screw M3x3	1
16	19034	screw M3 Grub - Special	1
17	21733	Fillprobe MkIII	1
18	5190	O-ring 3,0 x 1,5 NBR 70	3
19	19213	Cylindrical pin 2h6x10	1
20	Support Page	See Schematic	1
21	16092	Grub screw M3x4	4
22	21730	Carrier DRS	1
23	19490	Cylindrical pin 3h6x14	1
24	19026	Cylindrical pin 2,5m6x6	1
25	19935	Linkage	1
26	19039	Hammer	1
27	11540	Hammer weight	1
28	2604	Hammerspring 52mm	1
29	21801	Hammer spring adjuster	1
30	11501	Spring 0,5x2,5x6,1	2
31	4066	Steel ball 3mm	2
32	21093	Trigger Sear	1
33	20056	Safety Pivot	1
34	11502	Cylindrical pin 2h6x20	3
35	19720	O-ring 10x1 NBR 90	1
36	19762	X-ring 3,63x2,62 NBR 70	2
37	19774	Pressure Gauge 23mm	1
38	19329	Inlet valve rod "gold"	1
39	21732	Brass plug	1
40	21731	Plenum Plug	3
41	19226	O-ring 12x2 NBR 70	3
42	21729	Magazine Plenum	1
43	5193	Screw M4x18	4
44	10374	Second stage trigger screw M5	1
45	11527	Steel ball 3,175	1
46	5565	Spring 0,32x2,5x4,8	1
47	19109	O-ring 4x1,5 NBR 70	1
48	21070	Regulator Piston	1
49	2570	Washer 10x4,2x0,5	8
50	19790	O-ring 10,0 x 1,5 NBR 90	1
51	5138	O-ring 4,0 x 1,5 NBR 90	1
52	20400	Plastic gasket Regulator piston	1
53	19697-1	Regulator housing	1
54	19225	O-ring 7,5x2,0 NBR 70	1
55	19731	O-ring 2,0x1,0 NBR90	2
56	19695	Regulator Screw	1
57	2572	Washer 10x4,2x0,6	3
58	3007	Grub screw M4x4	1
59	20938	Valvetube End, Plenum	1
60	21852	Moderator 8,5mm	1
61	19952	O-ring 5,23 x 2,62 NBR 70	1
62	19736	Plastic Washer 5,3x3,1x1	1
63	21132	Cylindrical pin 4m6x6	2
64	19165	Match trigger house	1
65	19167	Match trigger rail	1
66	19168	Match trigger wedge	1
67	19137	Trigger pin	1
68	19136	Adjustable trigger blade	1
69	19166	Match trigger wheel base	1
70	11525	Trigger wheel	1
71	12035	Grub screw M2,5x2,5	1
72	2562	Cup point grub screw M3x3	4
73	19178	Screw M2x4	1
74	2518	Cylindrical pin 2h6x8	2
75	19214	Countersunk screw M3x5	2
76	19742	Grub screw M3x8	1
77	10328	Angled Manometer Mount	1
78	19776	Black sleeve for manometer	1
79	5201	Socket head cap screw M4x16	5
80	19715	Socket head cap screw M3x5	1
81	Support Page	See Schematic	1
82	Support Page	See Schematic	1
83	Support Page	See Schematic	1
84	21781	Dove Picatinnyrail high	1
85	2552	Screw M3x4 Countersunk	1
86	19776	Manometer 27mm WIKA	1
87	2500	Grub screw M3x6	1
88	10335	Brass adapter	1
89	19761	O-ring 2,2x1 NBR 70	1
90	Support Page	See Schematic	1



ITEM NO.	PartNo	DESCRIPTION	QTY.
1	19109	O-ring 4x1,5 NBR 70	1
2	21070	Regulator Piston	1
3	2570	Washer 10x4,2x0,5	8
4	19790	O-ring 10,0 x 1,5 NBR 90	1
5	5138	O-ring 4,0 x 1,5 NBR 90	1
6	20400	Plastic gasket Regulator piston	1
7	19697-1	Regulator housing	1
8	19225	O-ring 7,5x2,0 NBR 70	1
9	19731	O-ring 2,0x1,0 NBR90	2
10	19695	Regulator Screw	1
11	2572	Washer 10x4,2x0,6	3



ITEM NO.	PartNo	DESCRIPTION	QTY.
1	5158	O-ring 3,5x1 NBR 70	1
2	19108	O-ring 8,0 x 1,0 NBR 90	1
3	20923	Valve Seat	1
4	19790	O-ring 10,0 x 1,5 NBR 90	1
5	20924	Valve Pin	1
6	20926	Valve Seal	1
7	19850	Spring 0,5x4x20	1
8	20959	Spring Seat 3,1mm	1
9	5107	O-ring 2,9 x 1,78 PUR 90	1
10	20925	Valve Housing	1
11	19763	O-ring 9x1,5 NBR 90	1



ITEM NO.	PartNo	DESCRIPTION	QTY.
1	19165	Match trigger house	1
2	19167	Match trigger rail	1
3	19168	Match trigger wedge	1
4	19137	Trigger pin	1
5	19136	Adjustable trigger blade	1
6	19166	Match trigger wheel base	1
7	11525	Trigger wheel	1
8	12035	Grub screw M2,5x2,5	1
9	2562	Cup point grub screw M3x3	4
10	19178	Screw M2x4	1
11	2518	Cylindrical pin 2h6x8	2
12	19214	Countersunk screw M3x5	2
13	19742	Grub screw M3x8	1
14	2552	Screw M3x4 Countersunk	1

