

PARTS LIST

Manufacture Start Date: 01/14/08

	PART NUMBER	DESCRIPTION	Qty
1	1761-019	Breech	1
2	<i>See Unique</i>	Tube	-
3	262-020	Spring, Sear	1
4	1322-045	Pin, Dwl .125DIA .390	3
5	788A031	Safety, .312dia STL	1
6	1322-054	Screw, Cover	2
7	2260-011	Spring, Trigger	1
8	1322A048	Sear, STP Pistol	1
9	262A003	Link	1
10	262A004	Trigger	1
11	262-002	Cover, Trigger	1
12	262B001	Case, Trigger	1
13	<i>See Unique</i>	Barrel	
14	<i>See Unique</i>	Bolt, Long Nickel	
15	392LE-009	Handle, Knob	1
16	AS2250-020	Breech Plug	1
17	1761-012	Plug, Tube	1
18	1761A100	Valve Assembly	1
18A	1761A002	Valve Body	1
18B	1761-003	Valve Cap	1
18D	1761-005	O-Ring, AS568-016	2
18F	130-035	O-Ring	1
18G	788-061	Spring, Valve	1
18H	1761A140	Valve Stem, Overmolded	1
19	2300-050	Striker	1
20	2100A011	Pin, Hammer Spcl .185 Dia .442	1
21	1761-021	Barrel Band	1
22	2260-012	Lug, Stock	1
23	1322A026	Sleeve	1
24	130-036	Seal, Face .260 .165 .085	1
25	<i>See Unique</i>	Seal, Breech	
26	130B031	Screw, 8-32 x .437	1
27	AS2250-015	Screw, 8-32 x .750	1
28	88-089	Screw, Set 8-32 x 125	4
29	1322B027	Screw, Breech 4-48x.250	1
30	2261-009	Spring, Hammer	1
31	2260-013	Screw, Stock 1/4-20 x .625	1
32	1761-010	Screw, Tube #8x.188, PPH	3
33	1761-014	Gauge, Pressure	1

	PART NUMBER	DESCRIPTION	Qty
34	1761-104	Gauge, Port Assembly	1
34A	1761-016	Port, Gage	1
34B	1761-005	O-Ring, #16	2
35	1761A017	Adapter, Gage (Clear Zinc)	1
36	1761A023	O-Ring, #2-009	1
37	1761-101	Fill Adapter Assy	1
37A	1761A006	Housing, Fill Adapter	1
37B	1761-005	O-Ring, #16	2
37C	1761-106	Fill Nipple, Back Checking	1
37D	NS1200-047	Filter, Sintered	1
38	1761-102	Cap Assembly	1
38A	1761-011	Cap, Fill Adapter	1
38B	1761-005	O-Ring, #16	1
39	1761-013	Sleeve, Barrel	1
40	1761-020	Set Screw, 6-40 x 3/32	1
41	178B-001	Screw, #6-40 x .145, FSH	1
42	1761-024	Mount, Front Sight	1
43	1761-025**	Sight, Front, Williams	1
44	1761-026	Sight, Rear Fibre Optic 70926	1
45	1761-103	Assy, Stock	1

**Williams Front Sight, with mounting screw

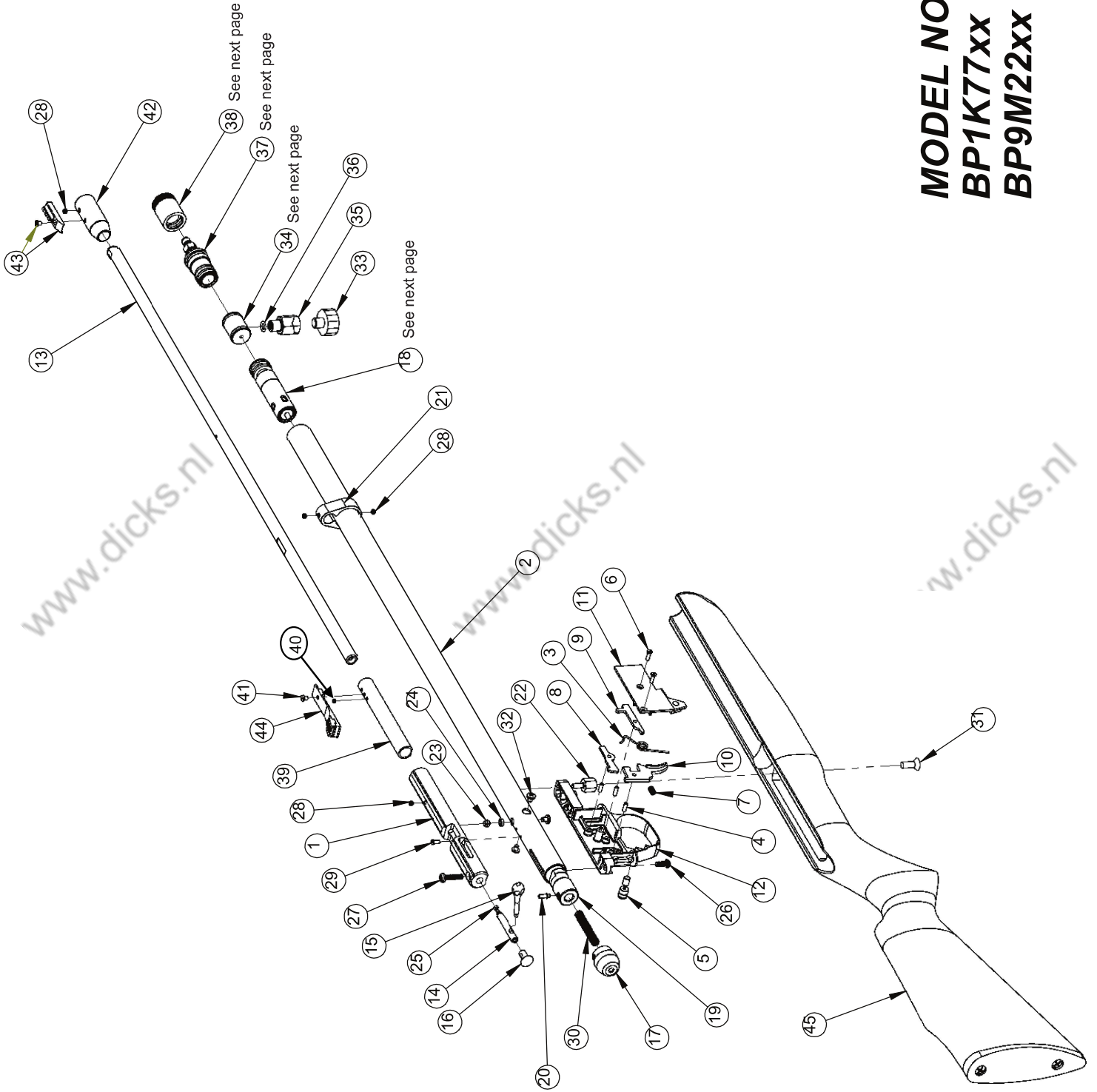
BP1K77 Unique Parts List

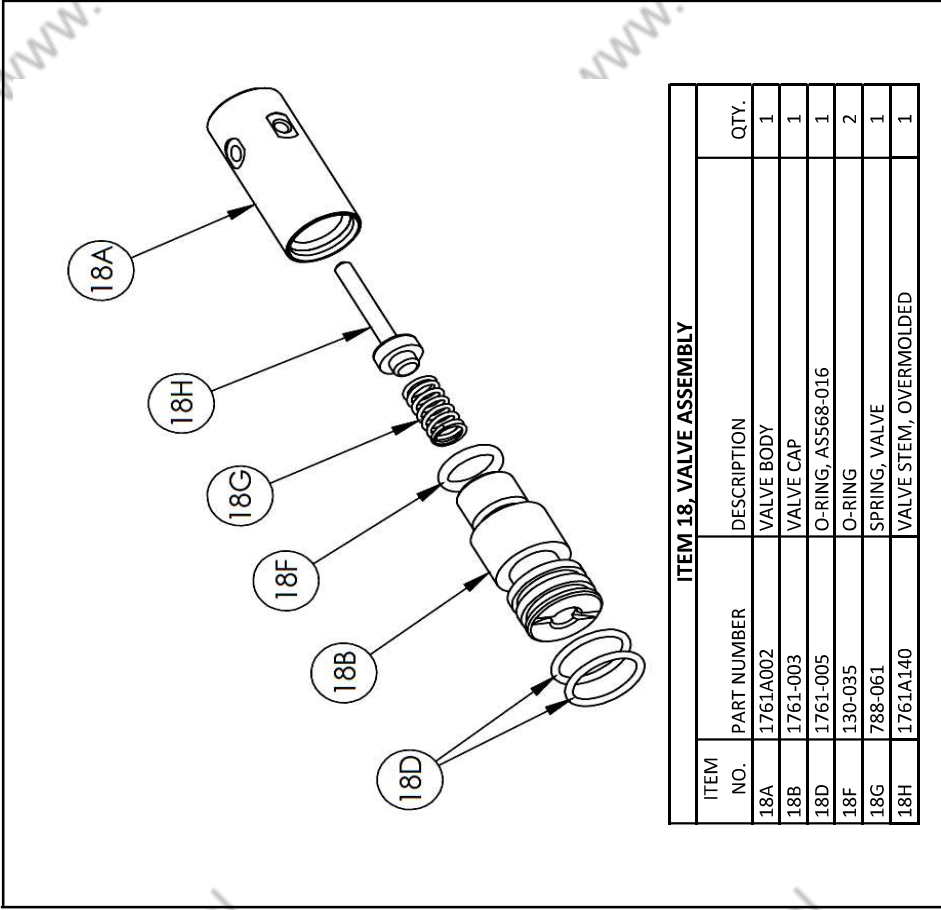
2	1761-001	Tube	1
13	1760SE-001	Barrel, .177cal.	1
14	2300-034	Bolt, .177cal., Long Nose	1
25	397-062	Seal, .177 Breech	1

BP9M22 Unique Parts List

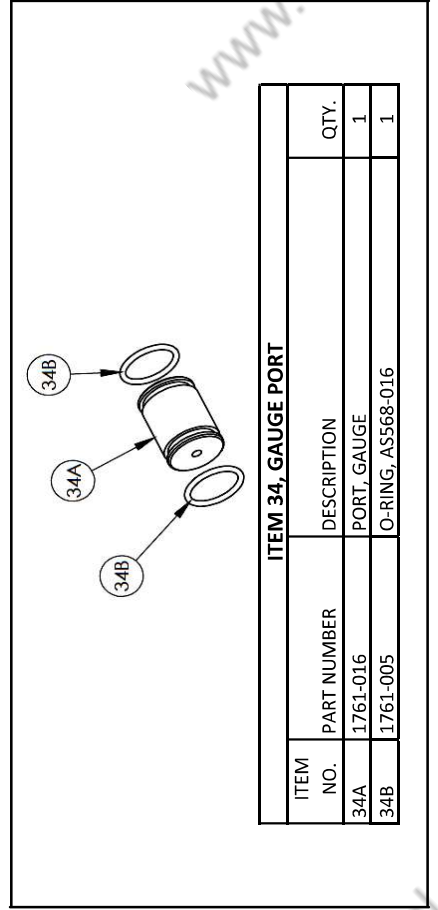
2	2261-001	Tube	1
13	2260SE-001	Barrel, .22cal.	1
14	2261-002	Bolt, 22cal., Long Nose	1
25	970-028	Seal, .22 Breech	1

**MODEL NOS.
BP1K77xx
BP9M22xx**

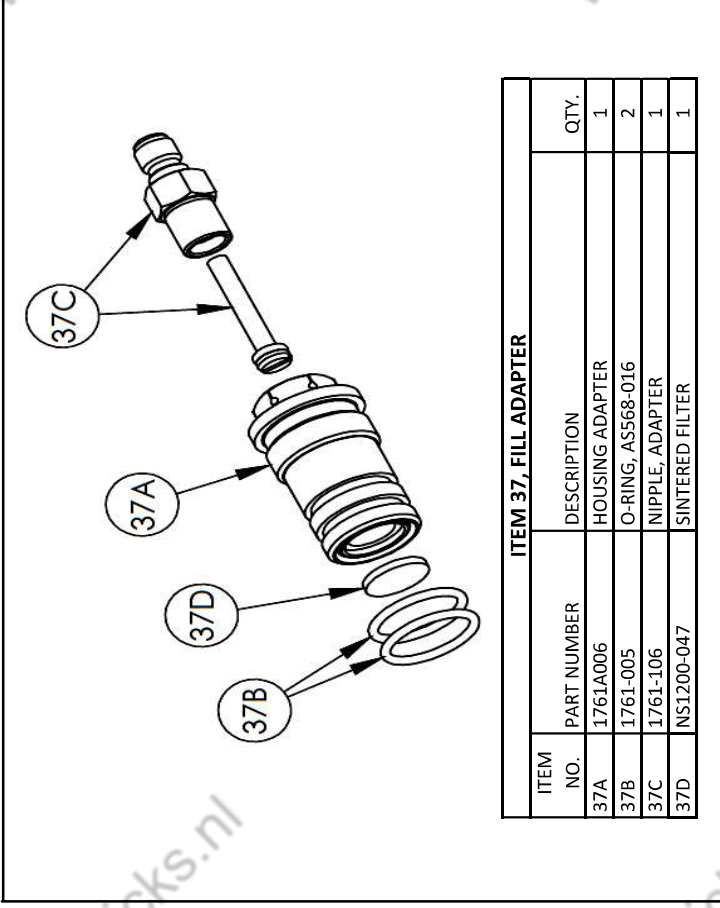




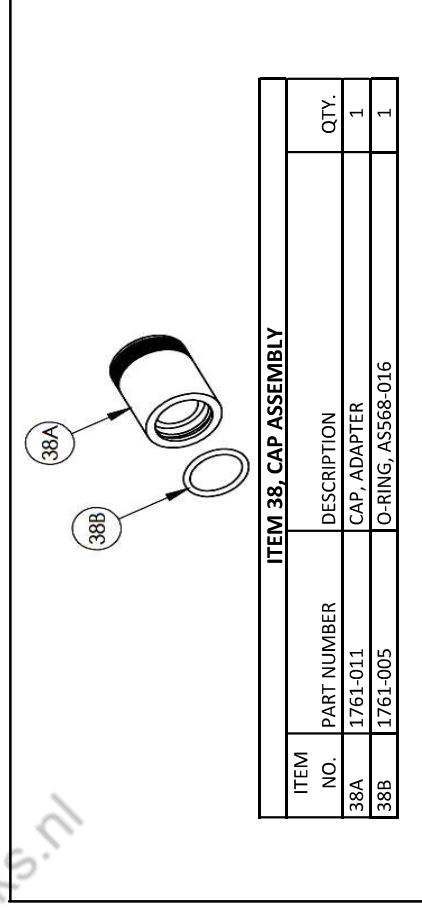
ITEM 18, VALVE ASSEMBLY			
ITEM NO.	PART NUMBER	DESCRIPTION	QTY.
18A	1761A002	VALVE BODY	1
18B	1761-003	VALVE CAP	1
18D	1761-005	O-RING, AS568-016	1
18F	130-035	O-RING	2
18G	788-061	SPRING, VALVE	1
18H	1761A140	VALVE STEM, OVERMOLDED	1



ITEM 34, GAUGE PORT			
ITEM NO.	PART NUMBER	DESCRIPTION	QTY.
34A	1761-016	PORT, GAUGE	1
34B	1761-005	O-RING, AS568-016	1



ITEM 37, FILL ADAPTER			
ITEM NO.	PART NUMBER	DESCRIPTION	QTY.
37A	1761A006	HOUSING ADAPTER	1
37B	1761-005	O-RING, AS568-016	2
37C	1761-106	NIPPLE, ADAPTER	1
37D	NS1200-047	SINTERED FILTER	1



ITEM 38, CAP ASSEMBLY			
ITEM NO.	PART NUMBER	DESCRIPTION	QTY.
38A	1761-011	CAP, ADAPTER	1
38B	1761-005	O-RING, AS568-016	1

MODELS:
BP1K77
BP9M22