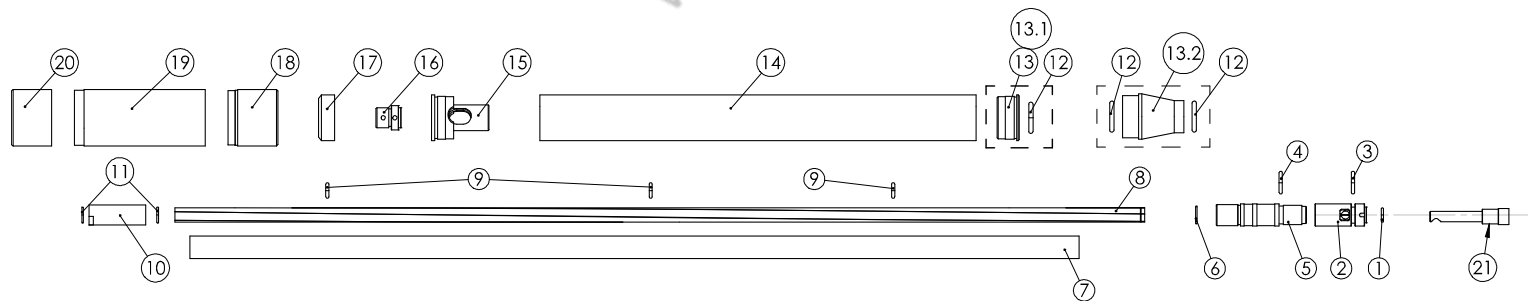


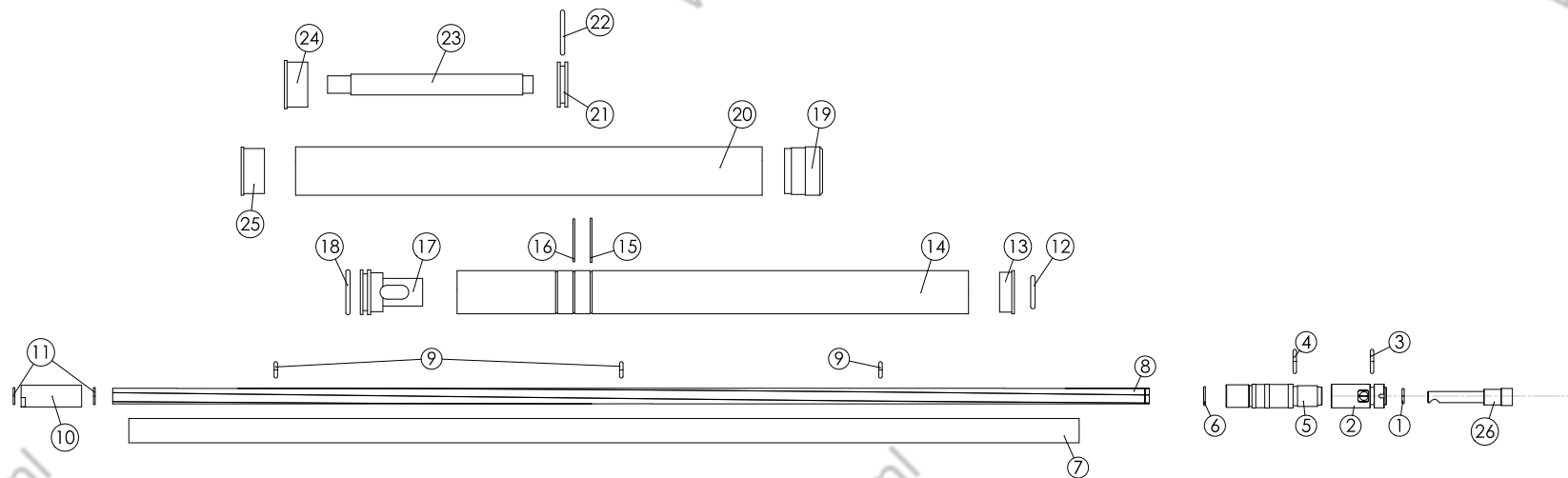
Model	Other model names	Date	Revision	Revision date
FX Impact Barrel		2021-04-14	-	-



NO	ART. NO	DESCRIPTION	NO	ART. NO	DESCRIPTION
1 - .177	2529	O-ring 4,3 x 1,5 NBR 70	9 - .177	19958	O-ring 6,02x2,62 NBR 70
1 - .22	19726	O-ring 5,5 x 1,5 NBR 70	9 - .22	19952	O-ring 5,23x2,62 NBR 70
1 - .25	2575	O-ring 6,35 x 1,27 NBR 70	9 - .25	19953	O-ring 5,5x2 NBR 70
1 - .30	19209	O-ring 7,5x1,5 NBR 70	9 - .30	2575	O-ring 6,35 x 1,27 NBR 70
2 - .177	19628	Barrel inlet .177	10 - .177	19968	Liner Lock .177
2 - .22	19629	Barrel inlet .22	10 - .22	19969	Liner Lock .22
2 - .25	19670	Barrel inlet .25	10 - .25	19970	Liner Lock .25
2 - .30	19671	Barrel inlet .30	10 - .30	19971	Liner Lock .30
3	19703	O-ring 10x2 NBR 70	11 - .177	19837	O-ring 7x1 NBR 70
4	19703	O-ring 10x2 NBR 70 (.177, .22, .25)	11 - .22	19117	O-ring 8x1 NBR 70
4	19210	O-ring 11x1,5 NBR 70 (.30)	12	12045	O-ring 13,95x2,62
5	19960	Barrel Attachment .177	13	19737	Shroud Bushing Impact
5	19961	Barrel Attachment .22	13.1	19588	Shroud start Wildcat (compact)
5	19962	Barrel Attachment .25	13.2	19925	Shroud cone (sniper)
5	19963	Barrel Attachment .30	14	19131	Shroud 28x157mm (compact)
6 - .177	19837	O-ring 7x1 NBR 70	14	19692	270mm Shroud for Impact, (standard)
6 - .22	19117	O-ring 8x1 NBR 70	14	19328	Shroud 362,5mm .25-.30, (sniper)
6 - .25	19954	O-ring 9x1 NBR 70	15	10331	Compesator fixed, 2020 M3
6 - .30	19145	O-ring 10x1 NBR 70	16	10332-22	Muzzle thread insert .177, .22
7	19973	Barrel housing 14x1x435mm	16	10332-25	Muzzle thread insert .25
7	19972	Barrel housing 14x1 550mm	16	10332-30	Muzzle thread insert .30
7	19974	Barrel housing 14x1 650mm	17	20176	Muzzle-Thread Cover
8	19964	STX Liner .177 500mm	18*	19663	Shroud endcap .25 35mm (optional)
8	19965	STX Liner .22 500mm Superior	18*	19664	Shroud endcap .30 35mm (optional)
8	20011	STX Liner .22 600mm Superior	19*	19680	Shroud Mid Part 35mm (optional)
8	20204	STX Liner .22 700mm Superior	20*	19997	Shroud Start 35mm UNF 1/2" (optional)
8	19976	STX Liner .25 500mm Superior	21	19641	Pellet probe Impact .177
8	19966	STX Liner .25 600mm Superior	21	19620	Pellet probe Impact .22
8	19977	STX liner .25 700mm Superior	21	19621	Pellet probe Impact .25
8	20369	STX Liner .30 500mm Superior	21	19619	Pellet probe Impact .30
8	19967	STX Liner .30 600mm Superior			
8	19978	STX Liner .30 700mm Superior			

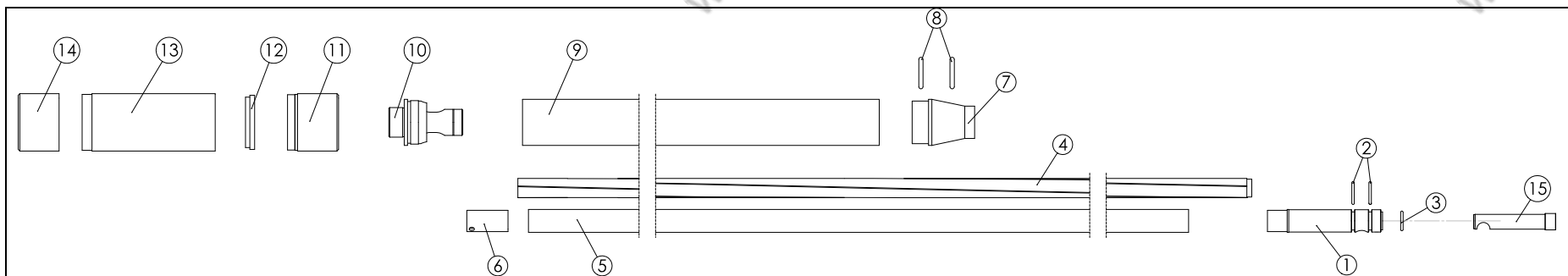


Model	Other model names	Date	Revision	Revision date
FX Impact Barrel		2021-04-14	-	-



NO	ART. NO	DESCRIPTION	NO	ART. NO	DESCRIPTION	NO	ART. NO	DESCRIPTION
1 - .177	2529	O-ring 4,3 x 1,5 NBR 70	8	19964	STX Liner .177 500mm	14 - .22	19661	Telescopicshroud .22 Impact
1 - .22	19726	O-ring 5,5 x 1,5 NBR 70	8	19965	STX Liner .22 500mm Superior	14 - .25, .30	19660	Telescopicshroud .25/.30 Impact
1 - .25	2575	O-ring 6,35 x 1,27 NBR 70	8	20011	STX Liner .22 600mm Superior	15	19675	Delrin ring stop
1 - .30	19209	O-ring 7,5x1,5 NBR 70	8	20204	STX Liner .22 700mm Superior	16	19732	O-ring 25x1 NBR 70
2 - .177	19628	Barrel inlet .177	8	19976	STX Liner .25 500mm Superior	17 - .177	19657	Compensator telescshroud
2 - .22	19629	Barrel inlet .22	8	19966	STX Liner .25 600mm Superior	17 - .22	19657	Compensator telescshroud
2 - .25	19670	Barrel inlet .25	8	19977	STX liner .25 700mm Superior	17 - .25	19625	Compensator telescshroud
2 - .30	19671	Barrel inlet .30	8	20369	STX Liner .30 500mm Superior	17 - .30	19626	Compensator telescshroud
3	19703	O-ring 10x2 NBR 70	8	19967	STX Liner .30 600mm Superior	18	5113	O-ring 20,24x2,62
4	19703	O-ring 10x2 NBR 70 (.177, .22, .25)	8	19978	STX Liner .30 700mm Superior	19	19658	Shroudstop 28mm
4	19210	O-ring 11x1,5 NBR 70 (.30)	9 - .177	19958	O-ring 6,02x2,62 NBR 70	20	19692	270mm Shroud for Impact
5	19960	Barrel Attachment .177	9 - .22	19952	O-ring 5,23x2,62 NBR 70	21 - .177, .22	19747	Muzzle stabilizer
5	19961	Barrel Attachment .22	9 - .25	19953	O-ring 5,5x2 NBR 70	22 - .177, .22	5101	O-ring 20 x 2,5 NBR 70
5	19962	Barrel Attachment .25	9 - .30	2575	O-ring 6,35 x 1,27 NBR 70	23 - .177, .22	19746	Muzzle extender
5	19963	Barrel Attachment .30	10 - .177	19968	Liner Lock .177	24 - .177, .22	19733	Impact muzzle .177-.22
6 - .177	19837	O-ring 7x1 NBR 70	10 - .22	19969	Liner Lock .22	25 - .25	19655	Impactmuzzle 8,0
6 - .22	19117	O-ring 8x1 NBR 70	10 - .25	19970	Liner Lock .25	25 - .30	19656	Impactmuzzle 9,0
6 - .25	19954	O-ring 9x1 NBR 70	10 - .30	19971	Liner Lock .30	26	19641	Pellet probe Impact .177
6 - .30	19145	O-ring 10x1 NBR 70	11 - .177	19837	O-ring 7x1 NBR 70	26	19620	Pellet probe Impact .22
7	19973	Barrel housing 14x1x435mm	11 - .22	19117	O-ring 8x1 NBR 70	26	19621	Pellet probe Impact .25
7	19972	Barrel housing 14x1 550mm	12	12045	O-ring 13,95x2,62	26	19619	Pellet probe Impact .30
7	19974	Barrel housing 14x1 650mm	13	19640	25mm end for telescopic shroud M23x1			

Model	Other model names	Date	Revision	Revision date
FX Impact Barrel		2021-04-14	-	-



NO	ART. NO	DESCRIPTION
1	19797	Barrel inlet 9mm
2	19210	O-ring 11x1,5 NBR 70
3	19722	O-ring 9x1,5 NBR 70
4	20286	STX Liner .35 800mm Superior
5	20328	Barrel housing 14x1 750mm
6	20331	Liner Lock .35
7	19925	Shroud cone
8	12045	O-ring 13,95x2,62 NBR 70
9	19142	Shroud 447mm Extreme
10	20329	Compensator .35 Impact
11	20366*	Shroud Start .35 Impact (optional)
12	20368*	Baffle washer Muzzle .35 Impact (optional)
13	19680*	Shroud mid part 35mm (optional)
14	20367*	Muzzle .35 Impact (optional)
15	19798	Pellet probe Impact .35

