



**OWNER'S MANUAL**  
**For BREAK BARREL Series**

# ALWAYS FOLLOW THESE SAFETY WARNINGS

**⚠️ WARNING:** Not a toy. This air rifle is intended for ADULT USE ONLY. Misuse or careless use may cause serious injury or death.

**⚠️ WARNING:** DO NOT brandish or display this air rifle in public --- it may confuse police and others thinking it is a firearm. DO NOT change the coloration and markings to make it look more like a firearm. That is dangerous and may be crime.

**⚠️ WARNING:** WHATEVER THE CONDITION IS, NEVER POINT THIS AIR RIFLE AT ANYONE EVER.

**⚠️ WARNING:** Lead pellets. Do not inhale dust or put pellets in mouth. Wash hands after handling. This product contains lead, a chemical known to public to cause cancer and birth defects (or other productive harm).

**⚠️ WARNING:** Use ordinary spring or gas piston as its power source .Do not heat or open this gas piston during operation.

**⚠️ WARNING:** This air rifle could fire when dropped or jarred, with or without the safety engaged.

**Thank you for choosing Snowpeak. Play safely with all our BREAK BARREL.**

**PLEASE READ ALL INSTRUCTIONS AND WARNINGS IN THIS MANUAL BEFORE HANDLING OR SHOOTING THIS AIR RIFLE.**

**ALWAYS USE CAUTION WHEN OPERATING THIS AIR RIFLE. BUYER AND USER SHOULD HAVE THE DUTY TO OBEY ALL LAWS ABOUT THE USE AND OWNERSHIP OF THIS AIR RIFLE. AND REMEMBER THIS AIR RIFLE IS HIGHLY POWERED AND INTENDED FOR ADULT USE ONLY.**

**WWW.SNOWPEAKSPORTS.COM**

**Manufactured & Distributed by Shaoxing Snowpeak Air Gun Factory, 15 Manchi Road, Gaobu Town, Shaoxing, Zhejiang, China All Rights Reserved.**

**MADE IN CHINA**

Before using your new air rifle check if it is fully charged and abide the below basic safety rules:

1. Treat every rifle as it is loaded.
2. Never point the rifle at anyone, or allow anyone to point a rifle at you, even if you know it is not loaded.
3. Always carry the rifle so that the direction of the muzzle is under control, even if you stumble.
4. Always be sure of your target and what lies behind it before firing your rifle.
5. Never leave a loaded rifle unattended.
6. It is recommended that eye & ear protection is worn when charging the cylinder and shooting.

## **OPERATING PROCEDURES**

**⚠ WARNING:** Don't allow the muzzle to point toward anyone during operating. Always keep the muzzle pointed at a safe direction.

**Step 1. COCK**

**Step 2. LOAD**

**Step 3. CLOSE BARREL**

**Step 4. PUT "OFF" SAFETY**

The safety warning point (the red point) not appearing indicates the safety is "ON". The gun can't be shot. While the appearing of this point indicates the safety is "OFF", the gun can be shot now.

**Step 5. AIM AT SAFE TARGET**

**Step 6. FIRE**

**⚠ WARNING:** NEVER STORE A LOADED GUN.

Unload pellet. It is preferable to fire the pellet at a safe target to unload the gun. If this is not practical, put "ON" safety, cock the gun to open the barrel and by running a cleaning rod through the muzzle end. Close the barrel, take "Off" safety and fire the gun in a safe direction.

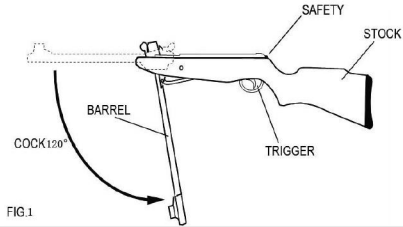
**⚠ WARNING:**

1. Don't use deformed pellets. Check each pellet's surface to make sure the pellets (4.5mm or 5.5mm) is standard.
2. Don't flip pellets.
3. Don't use massive pellets, BBs or other things.

**HOW TO OPERATE**

**Step 1. COCK**

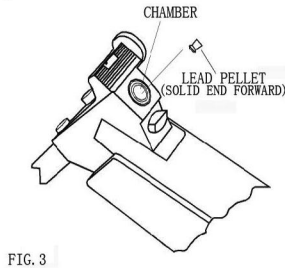
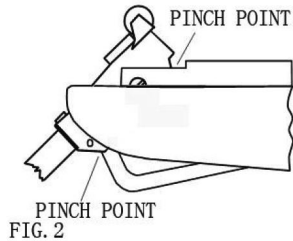
Grasp the suppressor, and pull downward (about 150 degree) to finish cocking and turning on the auto safety (see **Fig.1**)



**CAUTION:** Be sure to grasp the suppressor firmly as you cock it to prevent it from snapping back and possibly causing injury. Also, be careful to keep fingers out of cocking mechanism when cocking or closing the barrel. (See **Fig. 2**).

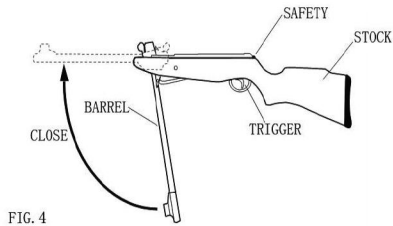
**Step 2. LOAD**

Place a lead pellet (solid end forward, 4.5mm or 5.5mm) fully into the chamber at the breech end of the barrel. (See **Fig. 3**)



**Step 3. CLOSE BARREL**

Grasp the suppressor, return the barrel to its original closed and latched position. (See **Fig. 4**)



**Step 4. SAFETY**

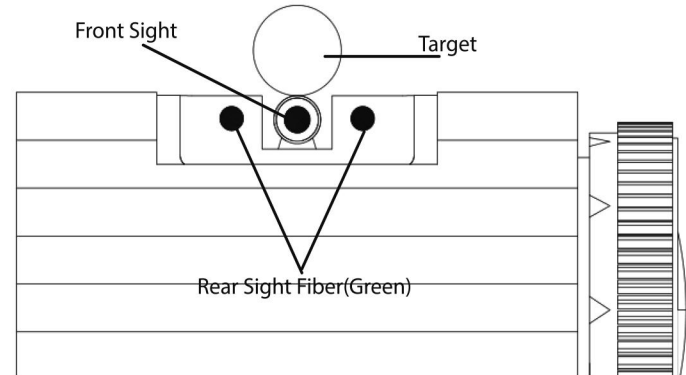


**SAFETY POSITION**  
(**FIG 5**) Red pin is not visible.

**FIRE POSITION**  
Red pin is visible.

**Step 5. AIM AT SAFE TARGET**

Aim at a safe target. To be a consistent marksman, follow the correct sighting procedure each time you fire the gun. (See **Fig. 6**)



**CAUTION:** Due to the power of this gun, use extra caution in selecting a safe target backdrop.

These models should not be used with BB gun target backstops. Pick targets that cannot be penetrated or that will not cause a ricochet because of their hard surfaces. Use only targets and traps that are designed for use with high-powered pellet guns. Do not shoot at water.

### **Step 6. FIRE**

The rifle can be fired after completing the above operation steps. After making sure the gun is pointed in a safe direction, gently but firmly, squeeze the trigger.

### **REAR SIGHT ADJUSTMENT**

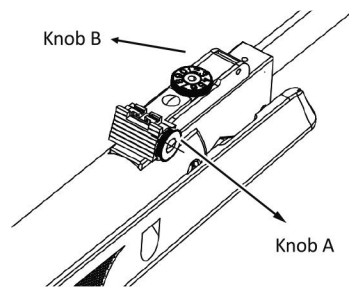
It is equipped with a fully adjustable rear sight.

### **Windage**

To move the point of impact to the right, move the sight to the right by turning Knob A in a clockwise direction. To move the point of impact to the left, move the sight to the left by turning Knob A in a counterclockwise direction.

### **Elevation**

To move the point of impact up, move the sight up by turning Knob B counterclockwise. To move the point of impact down, move the sight down by turning Knob B clockwise. (See **Fig.7** )



**FIG.8**

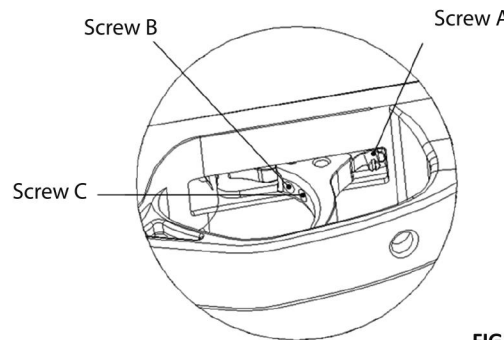
### **ADJUSTMENT OF TRIGGER PULL AND TRAVEL FOR SR1000S**

The Trigger is equipped with two-stage trigger travel. The first and second trigger travel, together with the trigger pull can be adjusted. The method is as below:

Screw A is for trigger pull. To increase the trigger pull before firing, turn the screw A clockwise. The reverse is also true.

Screw B is for 2<sup>nd</sup> stage trigger travel. To shorten the trigger travel before firing, turn the screw B clockwise. The reverse is also true.

Screw C is for 1<sup>st</sup> stage trigger travel. To shorten the trigger travel before firing, turn the screw C clockwise. The reverse is also true(Fig.8).



**FIG.8**

### **ADJUST TRIGGER PULL AND TRIGGER TRAVEL FOR GR1600W**

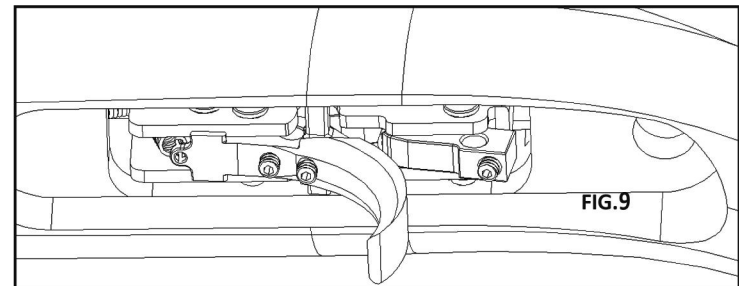
The trigger pull and trigger travel of this rifle is adjustable.

Turn Screw I **IN** to **INCREASE** trigger pull, and turn it **OUT** to **REDUCE**.

Turn Screw II and Screw III to adjust trigger travel.

Turn **IN** Screw II will **SHORTEN** 1<sup>st</sup> stage trigger travel, and turn it **OUT** will **LENGTHEN** 1<sup>st</sup> stage trigger travel.

Turn **IN** Screw III will **SHORTEN** 2<sup>nd</sup> stage trigger travel, and turn it **OUT** will **LENGTHEN** 2<sup>nd</sup> stage trigger travel. (See **Fig.9** )



**FIG.9**

## MAINTENANCE

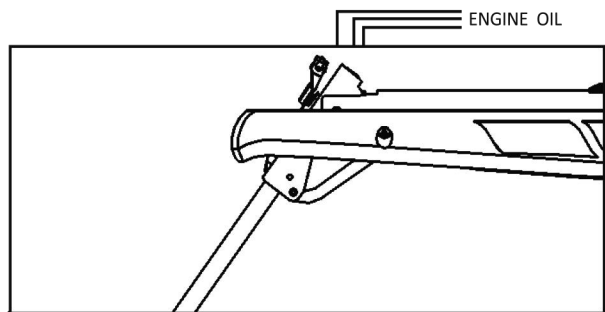
### PROPER CARE

In front of the gun is air compression chamber. When it fires, the piston pushes forward in the chamber and the air compressed. For less rubs and best sealing effect, piston seal should be maintained by lubricant. The temperature of compression chamber can be 2000F when fires, so the lubricant must have a high self-ignition point. At 5000-6000 shots or every 8-12 months adding 1-2 drop of lubricant is enough. The best time is you hear the click on the piston.

To spread the piston with less rubs and vibration, it should be lubricated at regular intervals. Easy and careful lubricating treatment is good for velocity and smoothness. The lubricating oil is added into a long groove through a filler tube under the barrel. You will see the long groove after getting rid of the stock. The piston spring should be lubricated for 2-3 drops at 1,250-2,500 shots or every 6 months.

The chamber needs to use the cleanser and lubricant, the degree of accuracy always caused by uncleanly chamber. To store away the gun, clean the chamber by detergent and degreaser, and then use a dry cloth wipe it until no oil satins. No low self-ignition point lubricant around the muzzle seal. If needed, use MoS<sub>2</sub>.

The exposed metal parts must be wiped clean after handling to prevent rust. The barrel hinge joint, cocking link hinge pins, air port seals, and latch plunger should be sparingly lubricated by occasionally adding a drop of clean, automotive motor oil. (See **Fig.10**)



**FIG.10**

Use good lead pellets, bad lead pellet will damage rifling in the chamber. Only lead pellet. Steel bullet and steel needles will damage rifling in the chamber. If place pellets for right position, open the chamber after muzzle down, no extrusion trace. It is dangerous to use damaged, used and unqualified pellets. Use plastic bullet may caused flying bullet, penetrate through something and over shock to the piston.

**CAUTION:** Never attempt to clean the gun until the gun is unloaded.

### STORAGE

NEVER STORE A LOADED OR COCKED GUN. Put "ON" Safety and unload pellet from the gun. Keep rifle away from children and untrained shooters. Store pellets separately from the rifle to keep them from untrained shooters. Protect your rifle from moisture and dirt; clean gun and wrap it in a smooth, dry cloth, or store the gun in the package it came in when new.

**CAUTION:** The components of this gun were engineered and manufactured to deliver optimum performance. Any modification or tampering with a gun may cause a malfunction and may make it unsafe to use. Any change in performance (such as a lowered trigger pull force and shortened trigger travel), indicates possible modification, tampering and/or wear. Such gun should be inspected, replaced or properly repaired by qualified personnel. Any gun that has been dropped should be checked by qualified personnel to ensure that its function has not been affected.

### SAFETY MEASURES & WARNINGS

- This air gun will shoot if cocked, loaded, safety disengaged and trigger pulled.
- Air guns are not toys. Never let young children use an air gun unsupervised. Adult supervision is strictly required during use. Misuse or careless use may cause serious injury or death.
- Learn how your air gun operates and safe air gun handling procedures before loading and using it.
- ALWAYS USE EYE & HEARING PROTECTION AND MAKE BYSTANDERS USE THE SAME. Failure to do so may result in eye injuries and permanent hearing loss.
- Do not point at anything you do not intend to shoot even though the air gun is unloaded.  
Always keep the air gun pointed in a safe direction.

- Never pull an air gun toward you by the muzzle.
- Always aim at a safe target, taking care that it does not conceal any other object.
- Before you shoot, consider where the pellet will travel should you miss your intended target, thus ensuring no damage or harm could result. Be sure of your target before you pull the trigger. Never shoot at sounds.
- When shooting, always have a safe shooting range, that is; have a safe area for shooting, a safe distance between you and the target, and a safe backstop to trap the pellets and hold the target.
- Do not shoot at a target, which allows ricochets or deflections. Do not shoot into or at water.
- Do not shoot at or near power lines or insulators. Be especially careful in wooded areas where power lines may not be as visible.
- Do not load the air gun until you are ready to shoot.
- Always keep your fingers away from the trigger & muzzle during cocking and handling.
- Do not run or jump when carrying a loaded or cocked air gun. A loaded or a cocked air gun should never be carried inside a vehicle, house, camp or public place. Never climb a tree or fence or jump a ditch with a loaded air gun. In such a case, first unload it and hand the air gun to a friend or place it on the ground on the other side of the obstacle before crossing yourself.
- When transporting the air gun, keep it unloaded and "ON SAFE".
- Always keep the air gun 'on safe' until you are ready to shoot even if the air gun is unloaded.
- Do not put the air gun away loaded and unattended.
- Always check to see if the air gun is "on safe" and unloaded when getting it from another person or from storage.
- Always keep the air gun and/or pellets out of the reach of children. Keep the air gun and pellets in separate places, better if under lock and key.
- Do not attempt to disassemble or tamper with your air gun. Use a competent competent gunsmith.

Many air guns contain powerful springs or high pressure air cylinders which can cause serious injury if released in an uncontrolled manner.

- Always handle and treat your air gun as though it were loaded.
- Improper use or handling of air guns is not the responsibility of the manufacturer or distributor, under any circumstances. The user is responsible for any harm, which may be caused.

- Think first, shoot second. Don't rely on any mechanical safety. Half safe is not safe.
- Be safe not sorry. Respect other's property.
- Air guns should never be used under the influences of alcohol or drugs.

# SPECIFICATION

<b>MODEL</b>		SR1000S GR1000S	SR1250W GR1250W	GR1600W	SR900S	SR1250S GR1250S	SP500	SR1400F GR1400F
<b>BARREL LENGTH</b>		450mm	400mm	430mm	550mm	485mm	220mm	450mm
<b>TRIGGER FORCE</b>		3-8.5 Lbf	3-8.5 Lbf	3-8.5 Lbf	3-8.5 Lbf	3-8.5 Lbf	3-8.5 Lbf	3-8.5 Lbf
<b>SAFETY FORCE</b>		Manual	Auto	Auto	Manual	Auto	Manual	Manual
<b>POWER</b>	4.5	1000 fps	1000 fps	1300 fps	900 fps	1000 fps	450 fps	1000 fps
	5.5	800 fps	800 fps	1000 fps	700 fps	800 fps	350 fps	800 fps
	6.35	/	/	800 fps	/	/	/	/
<b>STOCK</b>		Synthetic	European Beech	European Beech	Synthetic	Synthetic	Synthetic	Synthetic
<b>DIAMESSION</b>		1290*180*70mm	1180*200*60mm	1180*130*46mm	1050*157*60mm	1265*160*60mm	374*150*31mm	1290*180*70mm
<b>WEIGHT</b>		3.6kg	3.7kg	3.8kg	3.85kg	3.65kg	0.914kg	3.6kg

\* Weight can differ a little according to wood density.



# SPECIFICATION

<b>MODEL</b>		B11	B11P	B11P CAMO	GR800S			
<b>BARREL LENGTH</b>		485mm	485mm	485mm	450mm			
<b>TRIGGER FORCE</b>		3-8.5 Lbf	3-8.5 Lbf	3-8.5 Lbf	3-8.5 Lbf			
<b>SAFETY FORCE</b>		Auto	Auto	Auto	Manual			
<b>POWER</b>	4.5	1000 fps	1000 fps	1000 fps	700 fps			
	5.5	850 fps	850 fps	850 fps	560 fps			
	6.35	/	/	/	/			
<b>STOCK</b>		European Beech	Synthetic	Synthetic, camo	Synthetic			
<b>DIAMESSION</b>		1200*220*50mm	1200*220*50mm	1200*220*50mm	1071*175*45mm			
<b>WEIGHT</b>		3.817kg	3.817kg	3.817kg	2.6kg			

\* Weight can differ a little according to wood density.

