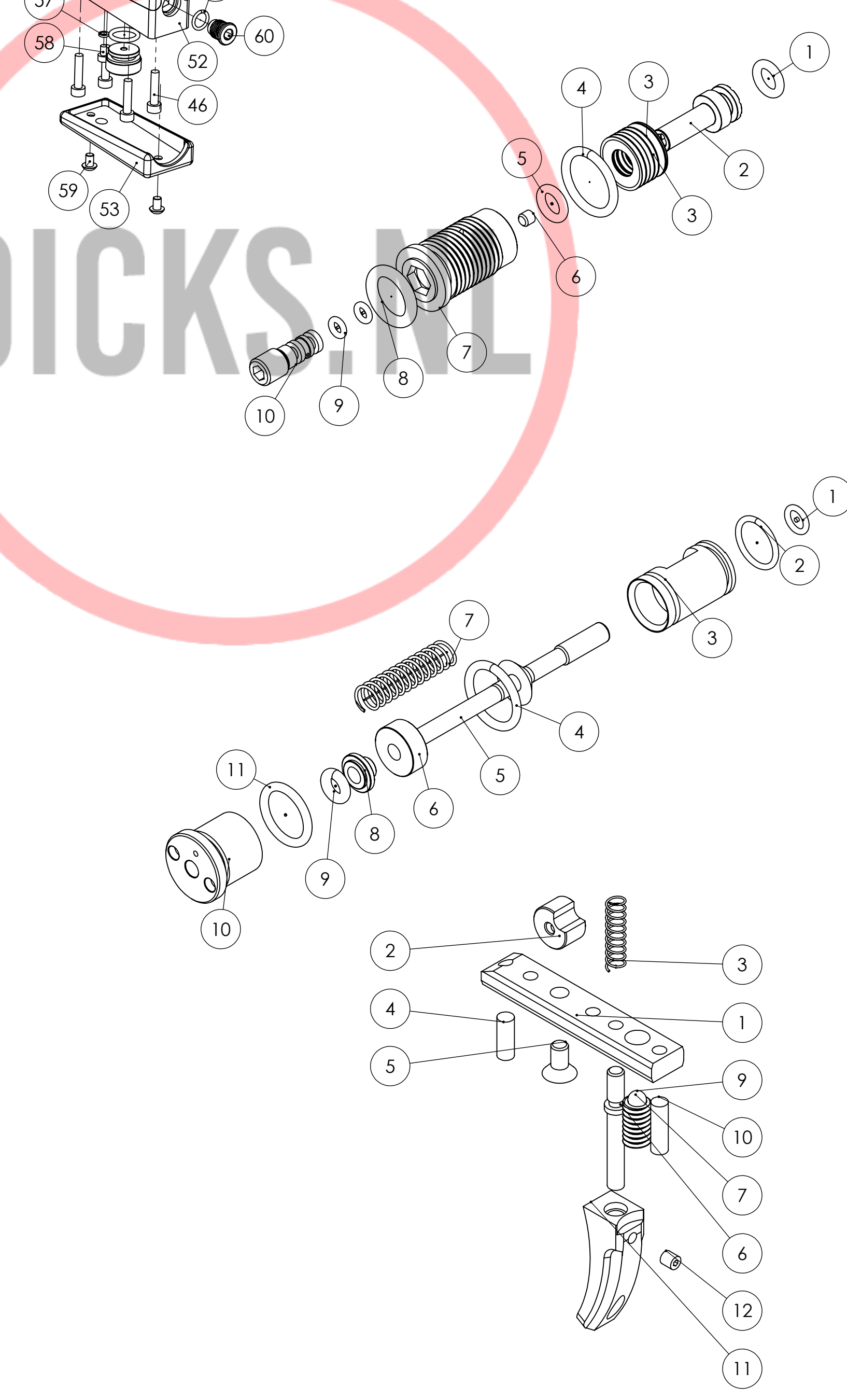
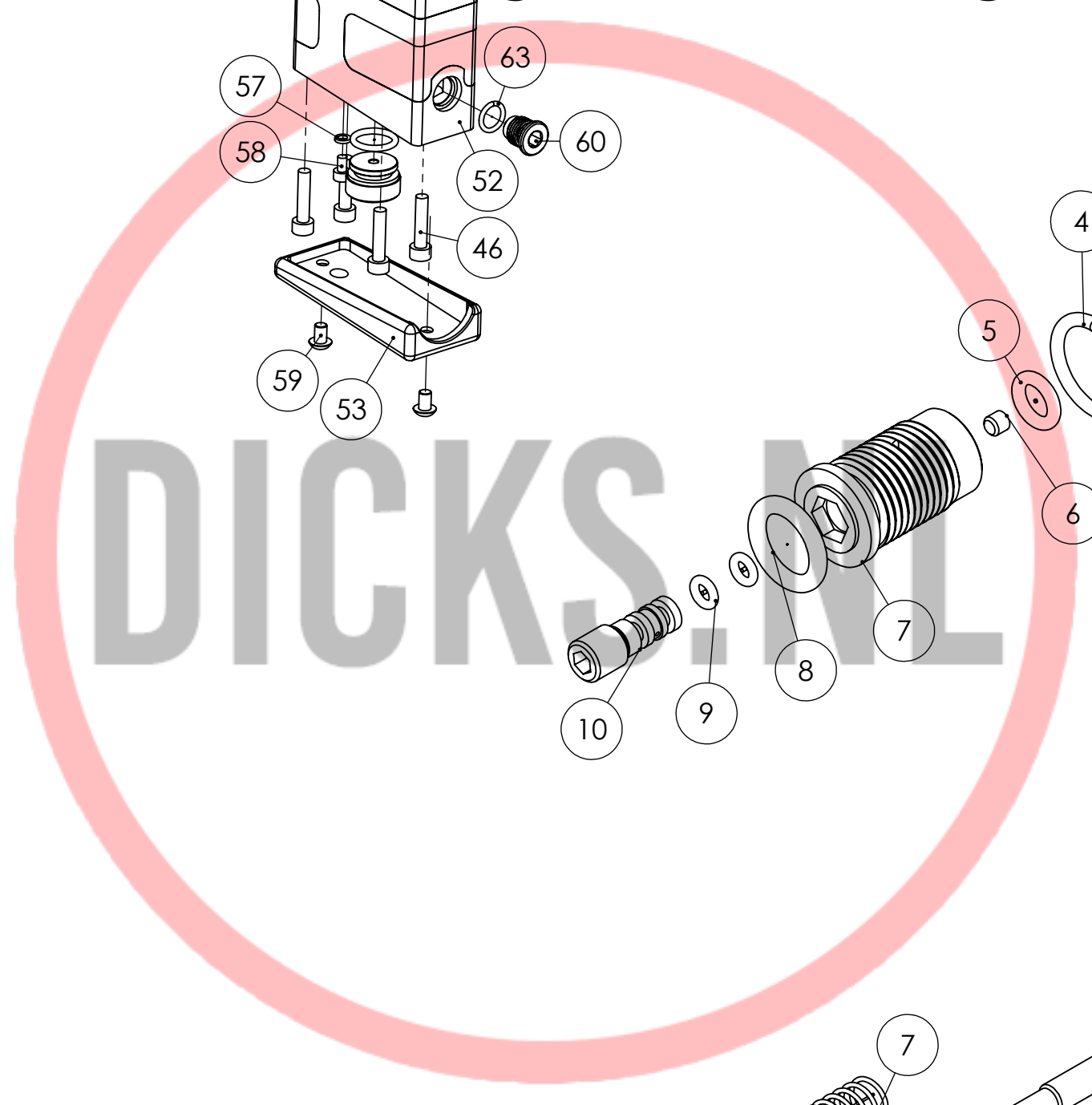


ITEM NO.	PartNo	DESCRIPTION	QTY.
1	20945	Muzzle Thread Cover	1
2	19950	O-ring 14,0 x 2,0 NBR 70	4
3	Support Page	See Schematic	1
4	Support Page	See Schematic	1
5	Support Page	See Schematic	1
6	19726	O-ring 5,5x1,5 NBR70	1
7	19485	O-ring 23,0x2,5 NBR 70	2
8	19955	Grub screw M8x6	1
9	2501	Cup point grub screw M4x6	2
10	19716	Grub screw M4x25	1
11	16100	Magnet 3x5	1
12	19611	Sidelever handle	1
13	20064	Sidelever	1
14	11060	Socket head cap screw M3x18	1
15	11200	Safety knob	1
16	11625	Safety lever	1
17	2562	Cup point grub screw M3x3	1
18	19034	screw M3 Grub - Special	1
19	21733	Fillprobe MkIII	1
20	5190	O-ring 3,0 x 1,5 NBR 70	3
21	19213	Cylindrical pin 2h6x10	1
22	Support Page	See Schematic	1
23	16092	Grub screw M3x4	4
24	21730	Carrier DRS	1
25	19490	Cylindrical pin 3h6x14	1
26	19026	Cylindrical pin 2,5m6x6	1
27	19935	Linkage	1
28	19039	Hammer	1
29	11540	Hammer weight	1
30	2604	Hammerspring 52mm	1
31	21801	Hammer spring adjuster	1
32	11501	Spring 0,5x2,5x6,1	2
33	4066	Steel ball 3mm	2
34	20056	Safety Pivot	1
35	11502	Cylindrical pin 2h6x20	3
36	19720	O-ring 10x1 NBR 90	1
37	19762	X-ring 3,63x2,62 NBR 70	1
38	19774	Pressure Gauge 23mm	1
39	19329	Inlet valve rod "gold"	1
40	21732	Brass plug	1
41	21731	Plenum Plug	3
42	19226	O-ring 12x2 NBR 70	3
43	5185	Screw M5x18 Countersunk	1
44	15008	Straight Trigger Guard	1
45	11622	Screw coned 4,2x16mm	1
46	5193	Screw M4x18	4
47	10374	Second stage trigger screw M5	1
48	11527	Steel ball 3,175	1
49	5565	Spring 0,32x2,5x4,8	1
50	3007	Grub screw M4x4	1
51	Support Page	See Schematic	1
52	21866	Plenum 55mm	1
53	21863	Plenum Cover	1
54	20938	Valvetube End, Plenum	1
55	21852	Moderator 8,5mm	1
56	19952	O-ring 5,23 x 2,62 NBR 70	1
57	19736	Plastic Washer 5,3x3,1x1	1
58	19715-1	screw M3x5 Socket head cap	1
59	5200	screw M4x6 Button head	2
60	19035	O-ring 8,0x1,5 NBR 70	1
61	19480	Socket head cap screw M4x10	3
62	21132	Cylindrical pin 4m6x6	2
63	19209-90	O-ring 7,5x1,5 NBR 90	1
64	10335	Brass adapter	1
65	19761	O-ring 2,2x1 NBR 70	1
66	2500	Grub screw M3x6	1
67	21093	Trigger Sear	1



ITEM NO.	PartNo	DESCRIPTION	QTY.
1	19109	O-ring 4x1,5 NBR 70	1
2	21070	Regulator Piston	1
3	2570	Washer 10x4,2x0,5	8
4	19790	O-ring 10,0 x 1,5 NBR 90	1
5	5138	O-ring 4,0 x 1,5 NBR 90	1
6	20400	Plastic gasket Regulator piston	1
7	19697-1	Regulator housing	1
8	19225	O-ring 7,5x2,0 NBR 70	1
9	19731	O-ring 2,0x1,0 NBR90	2
10	19695	Regulator Screw	1
11	2572	Washer 10x4,2x0,6	3

ITEM NO.	PartNo	DESCRIPTION	QTY.
1	5158	O-ring 3,5x1 NBR 70	1
2	19108	O-ring 8,0 x 1,0 NBR 90	1
3	20923	Valve Seat	1
4	19790	O-ring 10,0 x 1,5 NBR 90	1
5	20924	Valve Pin	1
6	20926	Valve Seal	1
7	19850	Spring 0,5x4x20	1
8	20959	Spring Seat 3,1mm	1
9	5107	O-ring 2,9 x 1,78 PUR 90	1
10	20925	Valve Housing	1
11	19763	O-ring 9x1,5 NBR 90	1

ITEM NO.	PartNo	DESCRIPTION	QTY.
1	20033	Triggercatch	1
2	11525	Trigger wheel	1
3	11504	Spring 0,32x3,2x14,4	1
4	19742	Grub screw M3x8	1
5	2504	Countersunk screw M3x6	1
6	19809	Trigger pin	1
7	11015	Second stage trigger screw M5	1
8	16093	Spring 0,3x2x10	1
9	11527	Steel ball 3,175	1
10	11508	Grub screw M3x10	1
11	21813	Trigger	1
12	12035	Grub screw M2,5x2,5	1