

### CONDITIONS DE TRAVAIL

Pression de service	≤ 400 bar
Température	-30°C à 100°C
Vitesse	≤ 0,5 m/s
Fluides	huiles minérales

### MATIERES

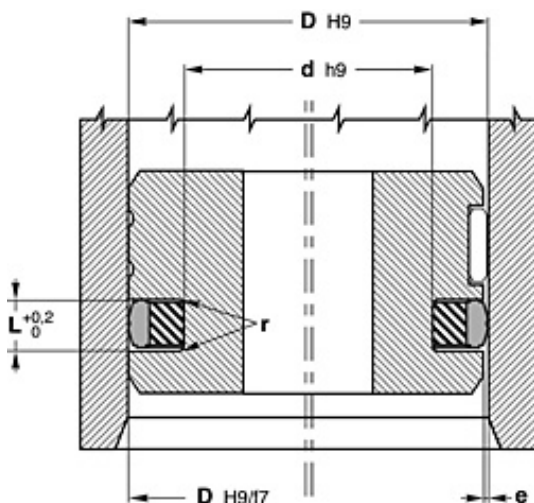
Joint dynamique – profil A	PU25
Joint dynamique – profil B	PU24
Élément de précontrainte	NBR

### MONTAGE

Sur pistons monoblocs

### AVANTAGES

Montage simple  
Joint compact  
Étanchéité efficace  
Bonne résistance à l'abrasion



## Joint de piston double effet

<b>10GPSK</b>					
ARTICLE	D	d	L	r	
10GPSK 40	40.00	24.50	6.30	0.40	
10GPSK 40/1	40.00	29.00	4.20	0.30	
10GPSK 45/1	45.00	34.00	4.20	0.30	
10GPSK 50	50.00	34.50	6.30	0.40	
10GPSK 50/1	50.00	39.00	4.20	0.30	
10GPSK 55	55.00	39.50	6.30	0.40	
10GPSK 55/1	55.00	44.00	4.20	0.30	
10GPSK 60	60.00	44.50	6.30	0.40	

<b>10GPSK 63</b>	63.00	47.50	6.30	0.40
<b>10GPSK 63/1</b>	63.00	52.00	4.20	0.30
<b>10GPSK 65</b>	65.00	49.50	6.30	0.40
<b>10GPSK 70</b>	70.00	54.50	6.30	0.40
<b>10GPSK 70/1</b>	70.00	59.00	4.20	0.30
<b>10GPSK 75</b>	75.00	59.50	6.30	0.40
<b>10GPSK 80/1</b>	80.00	59.00	8.10	0.40
<b>10GPSK 80</b>	80.00	64.50	6.30	0.40
<b>10GPSK 85</b>	85.00	69.50	6.30	0.40
<b>10GPSK 90/1</b>	90.00	69.00	8.10	0.40
<b>10GPSK 90</b>	90.00	74.50	6.30	0.40
<b>10GPSK 95</b>	95.00	79.50	6.30	0.40
<b>10GPSK 100/1</b>	100.00	79.00	8.10	0.40
<b>10GPSK 100</b>	100.00	84.50	6.30	0.40
<b>10GPSK 120/1</b>	120.00	99.00	8.10	0.40
<b>10GPSK 120</b>	120.00	104.50	6.30	0.40
<b>10GPSK 125/1</b>	125.00	104.00	8.10	0.40
<b>10GPSK 125</b>	125.00	109.50	6.30	0.40
<b>10GPSK 130/1</b>	130.00	109.00	8.10	0.40