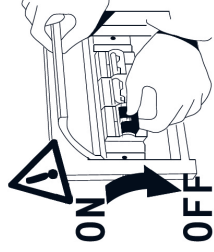


## Warning:

1. Please read this manual carefully before start the installation and keep it well; Manual version upgrade without notice.
2. Please cut off the power supply before installation.



3. Memo: if the external flexible cable or cord of this luminaire is damaged, it shall be exclusively replaced by the manufacturer or his service agent or a similar qualified person in order to avoid a hazard.

## Safety Messages

1. Installation, mounting or works on the electrical connection may only be carried out by an approved electrician.  
Do not cover the product - provide free air circulation!  
Do not hang or fasten anything on the product, especially no decoration.  
Do not open the lamps without an approved electrician.  
Operate the product only when it functions properly.
2. Anything of the lights can not be changed at random
3. This manual is for below items , please read it carefully before installation.

- Basic product information:



# CE IP54 RoHS



Power	12W
-------	-----

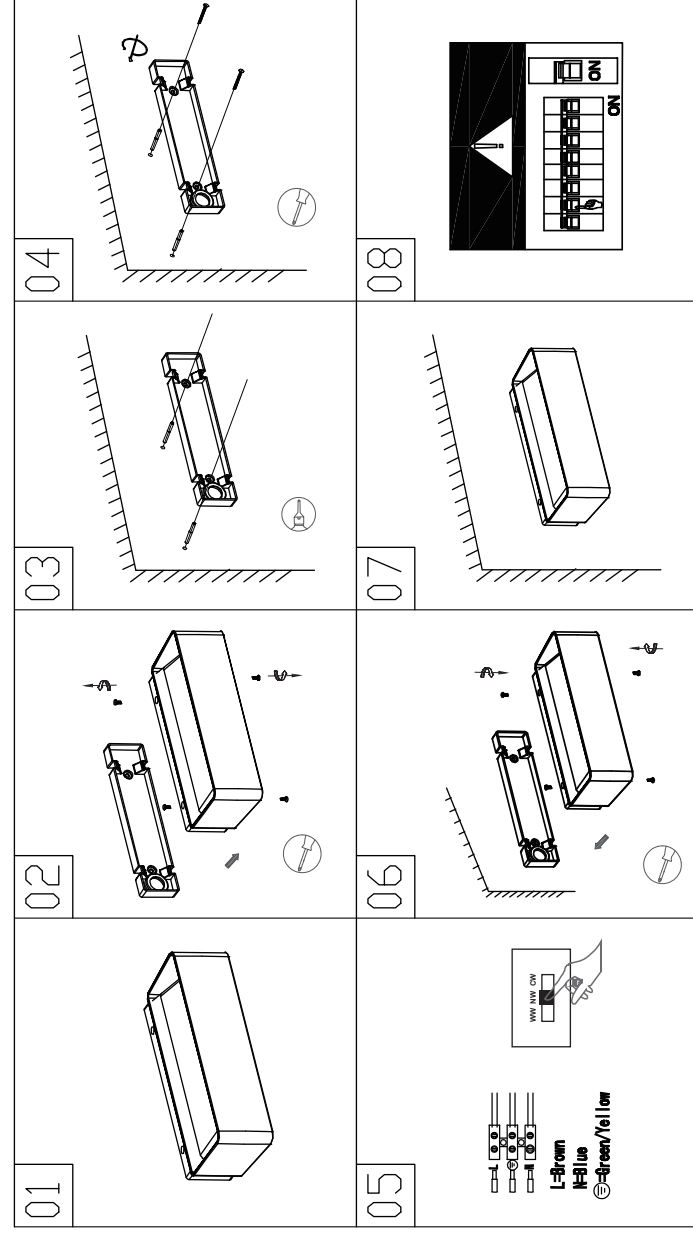
Operating voltage	AC220~240V,50/60HZ
-------------------	--------------------

Product measure	240x106.5x65mm
-----------------	----------------

## 3CCT Switch



SELECT WITH A FINGER



If there is some damage on the lamp body, and water may go into the lamp, please do not use the lamp

