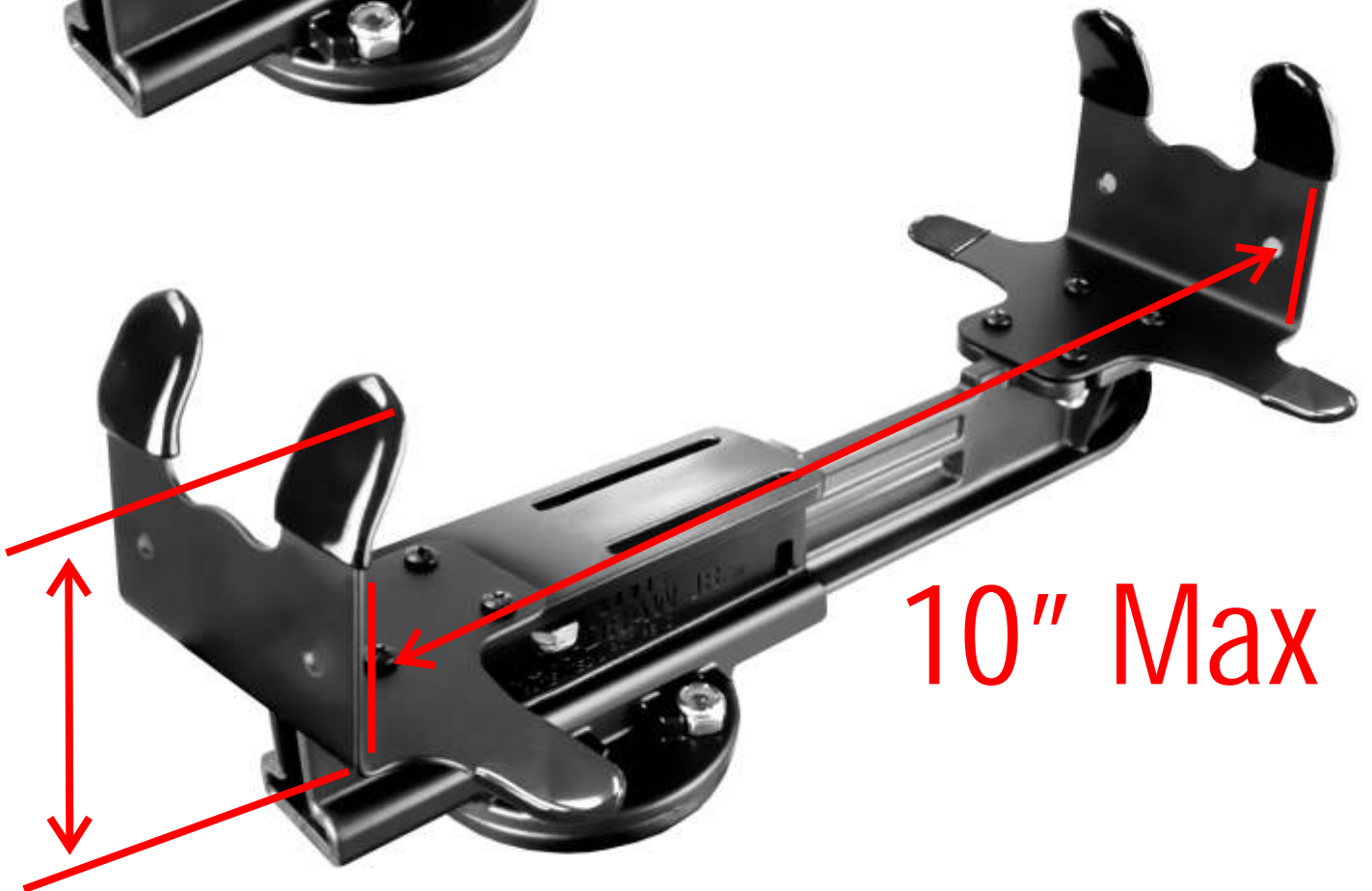


RAM-VPR-104 Dimensions



5.625" Min



10" Max

2.25" Height