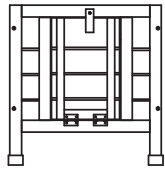
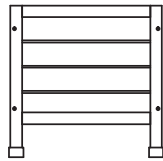


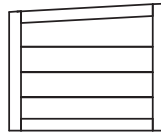
210092 & 201905 Assembly Instructions



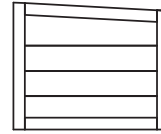
1x front panel



1x back panel



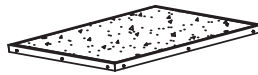
1x left side panel



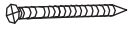
1x right side panel




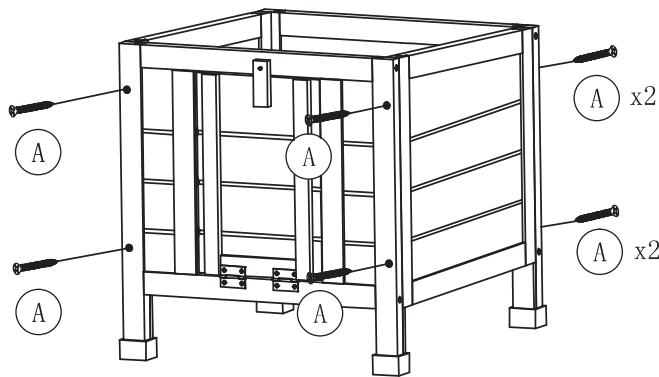
1x shelf



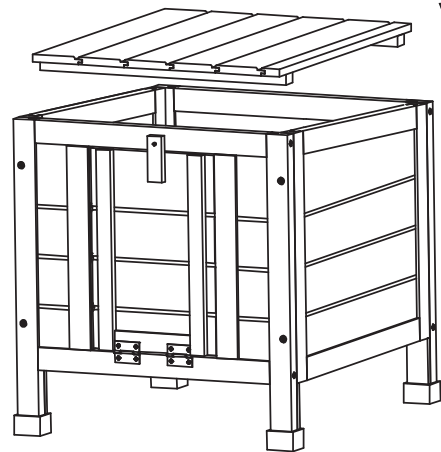
1x roof

(A) 
M3.5x40
8+1

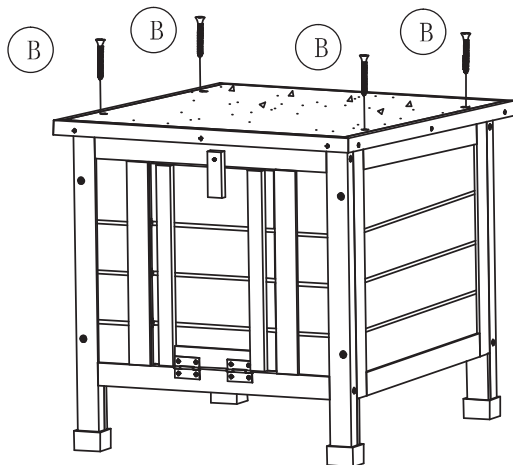
(B) 
M3.5x35
4+1



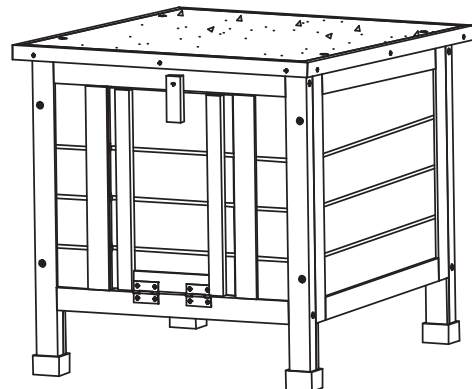
1. Fix the front panel and the back panel with then two side panel.



2. Fix the shelf.



3. Fix the roof.



4. Finish.