



Client _____ Quantity _____
 Project _____ Position _____

Vision C60 cabinet

Model: AC60/2T

Cod: A62600700201

Technical data

Max capacity:	33 trays EN60x40 h 20 mm
Gross capacity:	947 lt
Temperature range:	-30°+15°C
Ventilation range:	50% - 100%
Humidity range:	90% - 40% (T°C >+4°C)
Refrigerant unit:	Plug-In
Climate class:	5
Cooling gas:	R452A
Defrost:	Hot gas
Valve:	Supplied standard with solenoid
Dimensions:	810×1096×2215 mm
Packing dimensions:	830×1130×2380 mm
Gross weight:	230 Kg
Voltage:	220-240 V - 50 Hz
Total rate:	1410 W
Absorbed Current:	6,5 A
Cooling capacity:	751 W*
*:	Evap. -30°C Cond. +55°C

Features

Functions:	Storage, chocolate, thawing, ice cream
Standard equipment:	20 slides for EN60x80 trays, LED lighting
Control:	7" touch screen display with USB port
Doors:	2 doors, self-closing with a 105° stop, right hinged
Door gasket:	Magnetic, triple chamber and easily replaceable
Insulation:	75 mm thickness - CFC/HCFC free
Exterior/interior finishing:	Exterior and interior AISI 304 stainless steel. Back, base and internal technical compartment in galvanized/ colaminated steel.
Inner corners:	Rounded for easy cleaning and ensuring maximum hygiene
Handle:	In AISI 304 stainless steel
Racks and slides:	Stainless steel AISI 304
Feets:	Stainless steel AISI 304, adjustable h 100-150 mm
Cosmo:	Wi-Fi remote control system

Accessories and variants

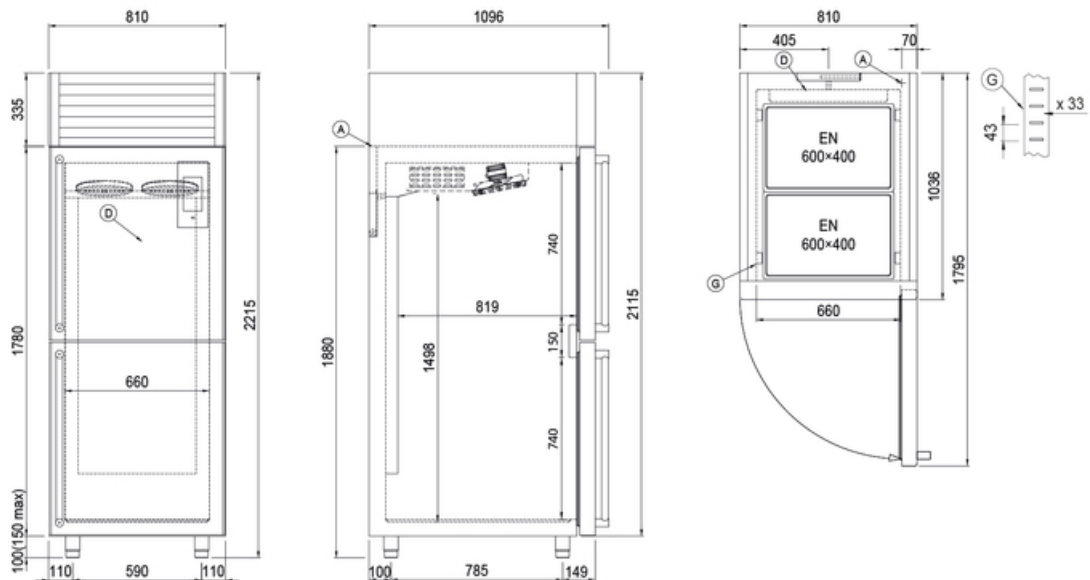
RAL customisable colouring
Plug-in water unit
Power supply frequency 60Hz
Other special voltage
4 Swivel and brake castors h 128 mm
Aluminium coated backing-pan EN60x40 h 20 mm
Stainless steel shelf EN60x40
Plastic coated shelf EN60x40
Pair of type L slides 755 mm EN60x80
Serial interface, RS485 cable

COSMO - wi-fi control

Cosmo is the wi-fi technology that allow to connect, update and monitor with a smartphone the VISION storage devices. VISION is also a Cosmo hub and allow remote supervision of the Coldline devices connected to it. From the app you can check the operating conditions of each machine and receive alerts in the event of abnormal operation.

*The installation requires a kit for the replacement of the racks

Technical draw



A: Power supply cable outlet

D: Airflow conveyor

G: Racks pitch

In order to constantly offer the best possible products we reserve the right to make changes on technical specifications without incurring any obligation for equipment previously or subsequently sold.