



Register Online!  
(see page 2)

S'inscrire en ligne!  
(voir page 19)

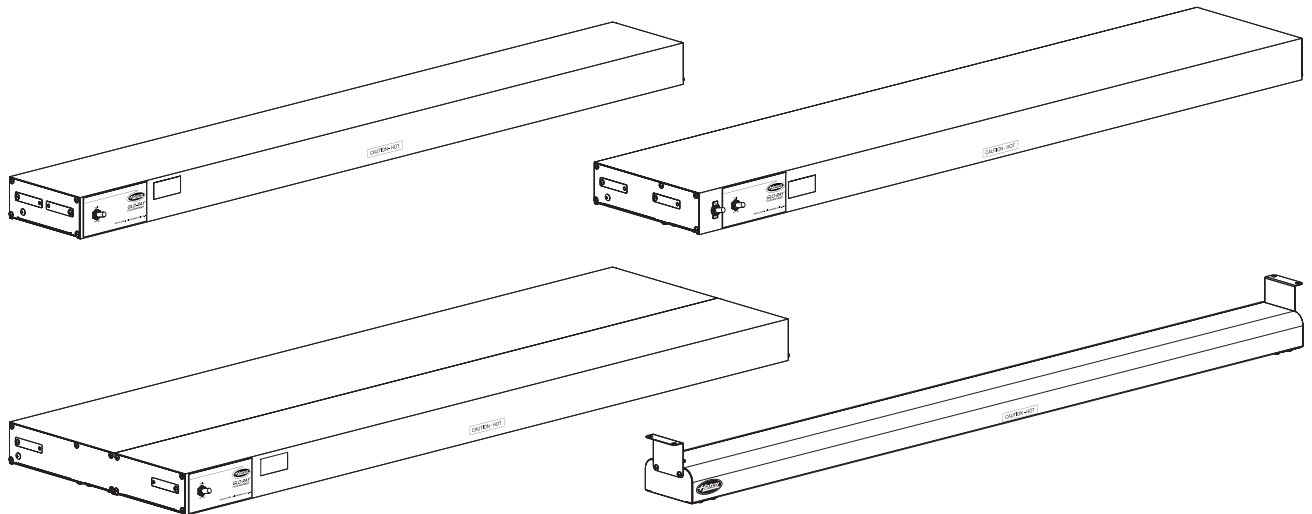


**GLO-RAY®**

**Infrared Strip Heaters  
Rampes Chauffantes à Infrarouge  
GR, GRH, GRHL, GRA, GRAH, GRAL,  
GRAHL, GRN, GRNH Series/Série**

**Installation and Operating Manual  
Manuel d'installation et d'utilisation**

P/N 07.04.413.00



**⚠ WARNING**

Do not operate this equipment unless you have read and understood the contents of this manual! Failure to follow the instructions contained in this manual may result in serious injury or death. This manual contains important safety information concerning the maintenance, use, and operation of this product. If you're unable to understand the contents of this manual, please bring it to the attention of your supervisor. Keep this manual in a safe location for future reference.

English = p 2

**⚠ ADVERTENCIA**

No opere este equipo al menos que haya leído y comprendido el contenido de este manual! Cualquier falla en el seguimiento de las instrucciones contenidas en este manual puede resultar en un serio lesión o muerte. Este manual contiene importante información sobre seguridad concerniente al mantenimiento, uso y operación de este producto. Si usted no puede entender el contenido de este manual por favor pregunte a su supervisor. Almacenar este manual en una localización segura para la referencia futura.

**⚠ AVERTISSEMENT**

Ne pas utiliser cet équipement sans avoir lu et compris le contenu de ce manuel ! Le non-respect des instructions contenues dans ce manuel peut entraîner de graves blessures ou la mort. Ce manuel contient des informations importantes concernant l'entretien, l'utilisation et le fonctionnement de ce produit. Si vous ne comprenez pas le contenu de ce manuel, veuillez le signaler à votre supérieur. Conservez ce manuel dans un endroit sûr pour pouvoir vous y référer plus tard.

Français = p 19

<b>Important Owner Information</b> .....	<b>2</b>	Installing Portable Units.....	9
<b>Introduction</b> .....	<b>2</b>	Installing Chain Suspended Units .....	10
<b>Important Safety Information</b> .....	<b>3</b>	Installing Permanent Units.....	11
<b>Model Description</b> .....	<b>4</b>	Electrical Information.....	13
<b>Model Designation</b> .....	<b>4</b>	<b>Operation</b> .....	<b>14</b>
<b>Specifications</b> .....	<b>5</b>	General.....	14
Plug Configurations .....	5	<b>Maintenance</b> .....	<b>15</b>
Dimensions.....	5	Cleaning .....	15
<b>Installation</b> .....	<b>6</b>	Replacing Display Light Bulbs.....	15
General.....	6	<b>Troubleshooting Guide</b> .....	<b>16</b>
Recommended Mounting Heights.....	7	<b>Options and Accessories</b> .....	<b>16</b>
Minimum Clearance Requirements for Combustible		<b>Limited Warranty</b> .....	<b>18</b>
Surroundings .....	7	<b>Authorized Parts Distributors</b> .....	<b>Back Cover</b>
Minimum Clearance Requirements for			
Non-Combustible Surroundings .....	8		

**IMPORTANT OWNER INFORMATION**

Record the model number, serial number (specification label located on the underside of the unit), voltage, and purchase date of your strip heater in the spaces below. Please have this information available when calling Hatco for service assistance.

Model No. \_\_\_\_\_

Serial No. \_\_\_\_\_

Voltage \_\_\_\_\_

Date of Purchase \_\_\_\_\_

Business Hours: 8:00 AM to 5:00 PM  
 Central Standard Time (C.S.T.)  
 (Summer Hours: June to September –  
 8:00 AM to 5:00 PM C.S.T.  
 Monday through Thursday  
 8:00 AM to 2:30 PM C.S.T. Friday)


Telephone: (800) 558-0607; (414) 671-6350

E-mail: partsandservice@hatcocorp.com

Fax: (800) 690-2966 (Parts and Service)  
 (414) 671-3976 (International)

**Register your unit!**

Completing online warranty registration will prevent delay in obtaining warranty coverage. Access the Hatco website at [www.hatcocorp.com](http://www.hatcocorp.com), select the *Parts & Service* pull-down menu, and click on "Warranty Registration".



**24/7** 24 Hour 7 Day Parts and Service Assistance available in the United States and Canada by calling (800) 558-0607.

Additional information can be found by visiting our web site at [www.hatcocorp.com](http://www.hatcocorp.com).

**INTRODUCTION**

Hatco Glo-Ray® Infrared Strip Heaters ensure maximum food holding and minimize the risk of food-borne illness. Optimum safety and quality is the result of food held at the proper serving temperatures using Glo-Ray's pre-focused heat patterns. The pre-focused heat pattern prevents foods from being over-cooked in the middle and cooling off around the edges by concentrating higher temperatures to the outer edges of holding surfaces where heat loss is the greatest. Utilizing specially designed reflectors to direct the heat from the element, Glo-Ray Strip Heaters safely maintain peak serving temperatures longer without cooking the food beyond the point of excellence.

This manual provides the installation, safety, and operating instructions for Glo-Ray Infrared Strip Heaters. Hatco recommends all installation, operating, and safety instructions appearing in this manual be read prior to installation or operation of the Strip Heaters.

Glo-Ray Infrared Strip Heaters are available from the factory with or without shatter-resistant incandescent lights to illuminate the warming area. These bulbs have a special coating that guards against injury and food contamination in the event of breakage.

Safety information that appears in this manual is identified by the following signal word panels:



**WARNING** indicates a hazardous situation which, if not avoided, could result in death or serious injury.



**CAUTION** indicates a hazardous situation which, if not avoided, could result in minor or moderate injury.



**NOTICE** is used to address practices not related to personal injury.



Read the following important safety information before using this equipment to avoid serious injury or death and to avoid damage to equipment or property.

### WARNING

#### ELECTRIC SHOCK HAZARD:

- Units supplied without an electrical plug require a hardwired connection to on-site electrical system. Connection must be properly grounded and of correct voltage, size, and configuration for electrical specifications of unit. Contact a qualified electrician to determine and perform proper electrical connection.
- Plug unit into a properly grounded electrical receptacle of the correct voltage, size, and plug configuration. If plug and receptacle do not match, contact a qualified electrician to determine and install proper voltage and size electrical receptacle.
- Turn OFF power switch, unplug power cord/turn off power at circuit breaker, and allow unit to cool before performing any cleaning, adjustments, or maintenance.
- DO NOT submerge or saturate with water. Unit is not waterproof. Do not operate if unit has been submerged or saturated with water.
- This unit is not “jet-proof” construction. Do not use jet-clean spray to clean this unit.
- Do not steam clean or use excessive water on unit.
- Discontinue use if power cord is frayed or worn.
- Do not attempt to repair or replace a damaged power cord. The cord must be replaced by Hatco, an Authorized Hatco Service Agent, or a person with similar qualifications.
- Use only Genuine Hatco Replacement Parts when service is required. Failure to use Genuine Hatco Replacement Parts will void all warranties and may subject operators of the equipment to hazardous electrical voltage, resulting in electrical shock or burn. Genuine Hatco Replacement Parts are specified to operate safely in the environments in which they are used. Some aftermarket or generic replacement parts do not have the characteristics that will allow them to operate safely in Hatco equipment.

#### FIRE HAZARD:

- Locate unit the correct distance from combustible walls and materials. If safe distances are not maintained, discoloration or combustion could occur. Refer to specific installation and mounting information in this manual for proper clearances.
- Make sure to follow the installation information listed below for specific strip heaters. If safe distances are not maintained, discoloration or combustion could occur.
  - Do not install standard wattage strip heaters (GR, GRA, GRN, GRAL Series) less than 10” (254 mm) above combustible surfaces.
  - Do not install high wattage strip heaters (GRH, GRAH, GRNH, GRAHL Series) less than 13-1/2” (343 mm) above combustible surfaces.
  - Do not install dual strip heaters (GRA-XXD, GRAH-XXD, GRAL-XXD, and GRAHL-XXD Series) above combustible surfaces.
  - Install all single strip heaters with a minimum distance of 3” (76 mm) from a combustible wall or adjacent surface.

**EXPLOSION HAZARD:** Do not store or use gasoline or other flammable vapors or liquids in the vicinity of this or any other appliance.

### WARNING

Use only light bulbs that meet or exceed (National Sanitation Foundation (NSF) standards and are specifically designed for food holding areas. Breakage of light bulbs not specially coated could result in personal injury and/or food contamination.

This unit is not intended for use by children or persons with reduced physical, sensory, or mental capabilities. Ensure proper supervision of children and keep them away from the unit.

Make sure all operators have been instructed on the safe and proper use of the unit.

Make sure food product has been heated to the proper food-safe temperature before placing in unit. Failure to heat food product properly may result in serious health risks. This unit is for holding pre-heated food product only.

For installation with chains, make sure the chains have sufficient strength and are securely fastened to both the unit and the mounting location. Poorly installed chains may cause the unit to loosen and fall. Do not place anything on top of units installed with chains.

This unit has no “user-serviceable” parts. If service is required on this unit, contact an Authorized Hatco Service Agent or contact the Hatco Service Department at 800-558-0607 or 414-671-6350; fax 800-690-2966; or International fax 414-671-3976.

### CAUTION

**BURN HAZARD:** Some exterior surfaces on the unit will get hot. Use caution when touching these areas.

Standard and approved manufacturing oils may smoke up to 30 minutes during initial startup. This is a temporary condition. Operate unit without food product until smoke dissipates.

Strip heaters equipped with incandescent lights that require a circuit breaker larger than 20 amps for the heat element must have a separate circuit breaker for the incandescent lights that is 20 amps or less.

To ensure safe and proper operation, refer to the Clearance Requirements listed in the Installation section of this manual.

### NOTICE

Installation of two or more separate units with less than 3” (76 mm) between housings may result in premature failure of component parts. Failure to provide proper spacing may result in heat damage to electrical components.

Units are voltage-specific. Refer to specification label for electrical requirements before beginning installation.

Do not add a decorative soffit to hide a pass-through mounted strip heater. Excessive heat can cause unit failure.

To prevent premature failure of components due to excessive heat, remote mounted control switches must be installed outside the strip heater heat zone.

Damage to any countertop material caused by heat generated from Hatco equipment is not covered under the Hatco warranty. Contact the manufacturer of the countertop material for application information.

Use non-abrasive cleaners and cloths only. Abrasive cleaners and cloths could scratch the finish of the unit, marring its appearance and making it susceptible to soil accumulation.

## All Models

Hatco Glo-Ray® Infrared Strip Heaters keep hot foods at optimum serving temperatures longer. Foods do not dry out or become discolored; even the most delicate dishes hold that “just-prepared” look. The Glo-Ray pre-focused heat pattern directs heat from a tubular element to bathe the entire holding surface.

Glo-Ray strip heaters can be ordered in standard or high wattage configurations, stainless steel housings in lengths of 24”–96” (610 mm–2438 mm), aluminum housings in lengths of 18”–144” (457–3658 mm), or narrow design housings in lengths of 18”–72” (457–1829 mm).

All strip heaters have several mounting options and switch locations. Optional infinite control switches, remote control enclosures, incandescent lighting, and sneeze guards are available also.

## GR-XX, GRH-XX, and GRHL-XX Models

Stainless steel models are available with or without incandescent lights

*NOTE: Stainless steel strip heaters are not available with sneeze guards or as dual units.*

## GRA-XX, GRAH-XX, GRAL-XX, and GRAHL-XX Models

Aluminum, single element models are available either with or without incandescent lights or sneeze guards.

## GRA-XXD, GRAH-XXD, GRAL-XXD, and GRAHL-XXD Models

Dual models allow for side-by-side mounting of two or more strip heaters to provide a wider holding area. Dual models are constructed with a required 3” (76 mm) or 6” (152 mm) spacer between heating elements.

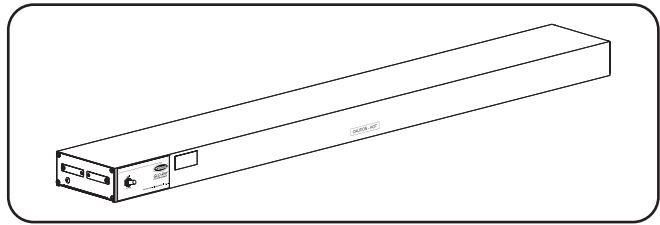
Aluminum, dual element models are available either with or without incandescent lights or sneeze guards.

*NOTE: Incandescent lights and sneeze guards are not available for retrofit.*

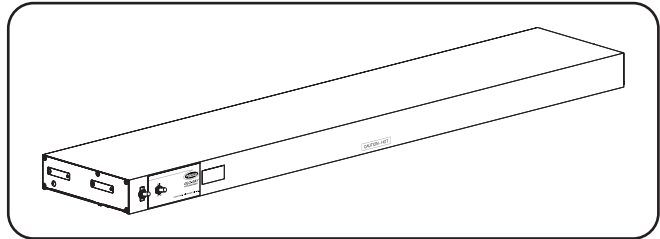
## GRN-XX and GRNH-XX Models

Narrow models are available in stainless steel or powdercoated steel in several *Designer* colors.

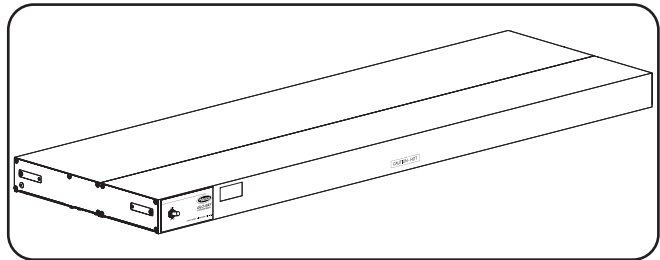
*NOTE: Narrow design strip heaters are not available with lights, sneeze guards, or as dual units.*



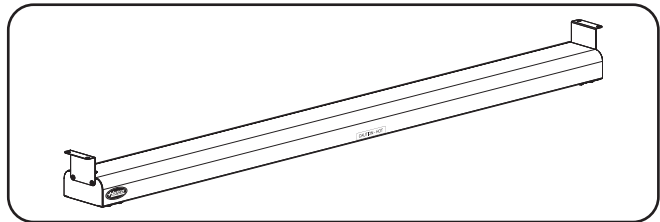
GRA-48 Model



GRAHL-48 Model

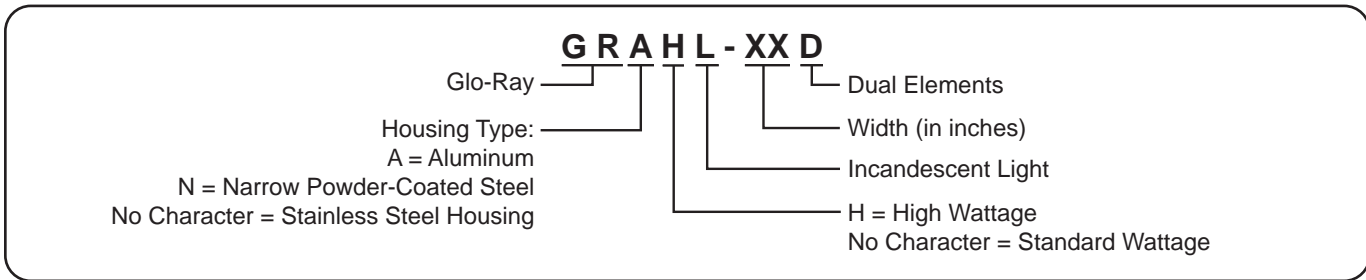


GRAL-48D Model



GRN-48 Model

# MODEL DESIGNATION



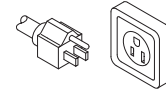
## Plug Configurations

An attached 6' (1829 mm) cord and plug is available as a factory-installed option for certain units. These units must be 120 volt (V) models with built-in controls that are 72" (1829 mm) in width or less and mounted with a standard chain kit, C-leg stand, or T-leg stand.

*NOTE: Cord and plug configurations are not available for units with lights.*



**ELECTRIC SHOCK HAZARD: Plug unit into a properly grounded electrical receptacle of the correct voltage, size, and plug configuration. If plug and receptacle do not match, contact a qualified electrician to determine and install proper voltage and size electrical receptacle.**



NEMA 5-15P

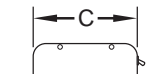
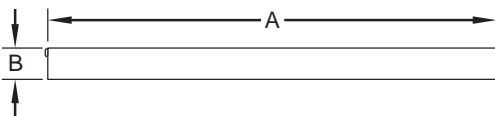
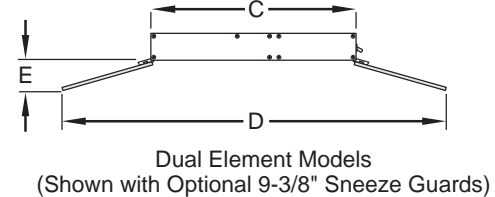
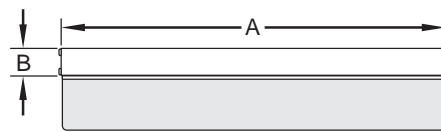
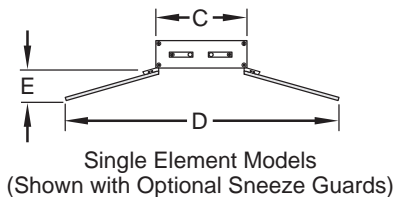
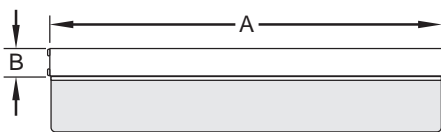
Plug Configuration

*NOTE: Receptacle not supplied by Hatco.*

*NOTE: Refer to the wiring diagram supplied with the unit and specification label attached to the unit for specific electrical information. Also, refer to the "Electrical Rating Charts" document on the Infrared Strip Heaters page of the Hatco website ([www.hatcocorp.com](http://www.hatcocorp.com)).*

## Dimensions

Model	Width (A)	Height (B)	Depth (C)	Depth (D)	Height (E)
GR and GRH	18"–96" (457–2438 mm)	2-1/2" (63 mm)	6" (152 mm)	---	---
GRA and GRAH	18"–144" (457–3658 mm)	2-1/2" (63 mm)	6" (152 mm)	23" (584 mm)	4" (102 mm)
GRAL and GRAHL	18"–144" (457–3658 mm)	2-1/2" (63 mm)	9" (229 mm)	26" (660 mm)	4" (102 mm)
GRL and GRHL	18"–72" (457–1829 mm)	2-1/2" (63 mm)	9" (229 mm)	26" (660 mm)	4" (102 mm)
GRA-XXD, GRAH-XXD, GRAL-XXD, and GRAHL-XXD	18"–144" (457–3658 mm)	2-1/2" (63 mm)	15" (381 mm)	32" (813 mm)	4" (102 mm)
GRN and GRNH	18"–72" (457–1829 mm)	2" (51 mm)	4" (102 mm)	---	---



Narrow Models

*NOTE: Add 3" (76 mm) to Depth (C and D) if unit is configured with an optional 6" (152 mm) spacer.*

*NOTE: Add 8-1/2" (216 mm) to Depth (D) if unit is configured with an optional 14" (356 mm) sneeze guard.*



## General

Use the information in this section to prepare for and install a Glo-Ray® Infrared Strip Heater. Make sure to locate the specific information in this section for the type of installation. Strip heaters are shipped with most components pre-assembled. Dual units are supplied with a required 3" (76 mm) or 6" (152 mm) spacer pre-assembled at the factory.



### WARNING

#### FIRE HAZARD:

- **Locate the unit the correct distance from combustible walls and materials. If safe distances are not maintained, discoloration or combustion could occur. Refer to specific installation and mounting information in this manual for proper clearances.**
- **Make sure to follow the installation information listed below for specific strip heaters. If safe distances are not maintained, discoloration or combustion could occur.**
  - a. **Do not install standard wattage strip heaters (GR, GRA, GRN, GRAL Series) less than 10" (254 mm) above combustible surfaces.**
  - b. **Do not install high wattage strip heaters (GRH, GRAH, GRNH, GRAHL Series) less than 13-1/2" (343 mm) above combustible surfaces.**
  - c. **Do not install dual strip heaters (GRA-XXD, GRAH-XXD, GRAL-XXD, and GRAHL-XXD Series) above combustible surfaces.**
  - e. **Install all single strip heaters with a minimum distance of 3" (76 mm) from a combustible wall or adjacent surface.**



### CAUTION

To ensure safe and proper operation, refer to the Clearance Requirements listed in the Installation section of this manual.

### NOTICE

Units are voltage-specific. Refer to specification label for electrical requirements before beginning installation.

Do not add a decorative soffit to hide a pass-through mounted strip heater. Excessive heat can cause unit failure.

Damage to any countertop material caused by heat generated from Hatco equipment is not covered under the Hatco warranty. Contact the manufacturer of the countertop material for application information.

*NOTE: Contact the manufacturer of the countertop base material for application information and surface temperature limits before installing the unit.*

1. Remove the unit from the shipping carton and remove all packing materials.

*NOTE: To prevent delay in obtaining warranty coverage, complete online warranty registration. See the IMPORTANT OWNER INFORMATION section for details.*

2. Remove tape and protective packaging from all surfaces of the unit.

*NOTE: If the unit is configured with optional equipment, see the OPTIONS AND ACCESSORIES section in this manual.*

3. Install/mount the unit in an appropriate location.

- a. Verify recommended mounting heights and minimum clearance requirements are met for the appropriate model. Refer to "Recommended Mounting Heights" and "Minimum Clearance Requirements" in this section.
- b. For portable unit installation, refer to "Installing Portable Units" in this section.
- c. For chain suspension installation, refer to "Installing Chain Suspended Units" in this section.
- d. For permanent unit installation, refer to "Installing Permanent Units" in this section.

## Dual Mounting

When mounting units side-by-side, a space not less than 3" (76 mm) must be maintained between units. Dual units ordered from the factory are shipped with a pre-assembled 3" (76 mm) or 6" (152 mm) spacer.

*NOTE: Dual units are available with aluminum housings only.*

### NOTICE

**Installation of two or more separate units with less than 3" (76 mm) between housings may result in premature failure of component parts. Failure to provide proper spacing may result in heat damage to electrical components.**

## Under Shelf Mounting

When mounting a unit under a shelf, use adjustable angle brackets to assure proper spacing. Remote control enclosures are recommended to keep switches out of the heat zone and prevent premature failure.

## Pass-Through

If a pass-through area is 12"–16" (305–406 mm) deep, a standard wattage or high wattage single unit can be used. For a 20"–24" (508–610 mm) deep pass-through area, a dual unit in either standard or high wattage is recommended. Installation of multiple units must have a minimum spacing of 3" (76 mm) between heaters.

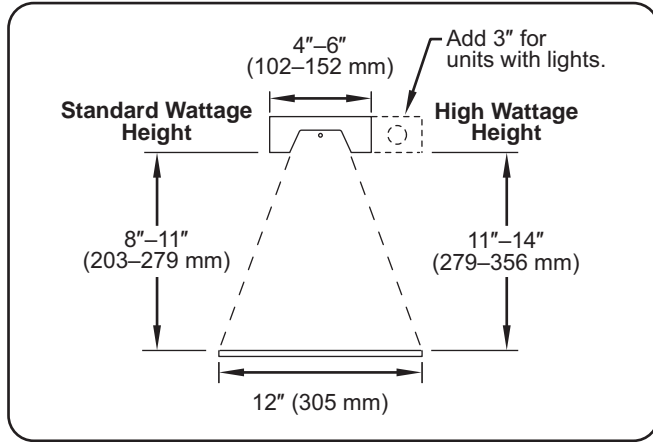
## T-Legs or C-Legs

Do not mount units longer than 72" (1829 mm) on T-legs or C-legs.

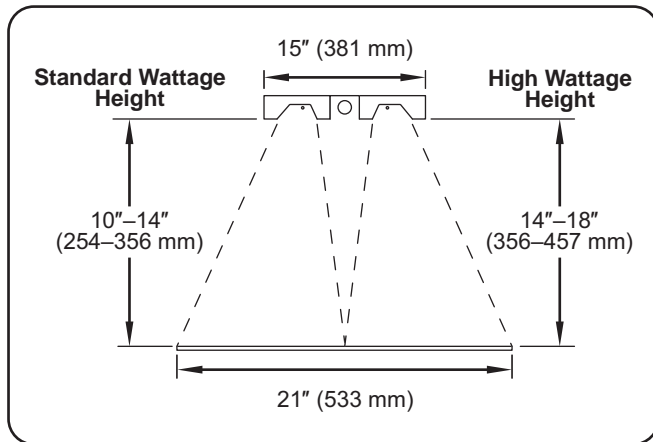
## Over Steam Table

When mounting over a steam table, a remote control enclosure must be installed.

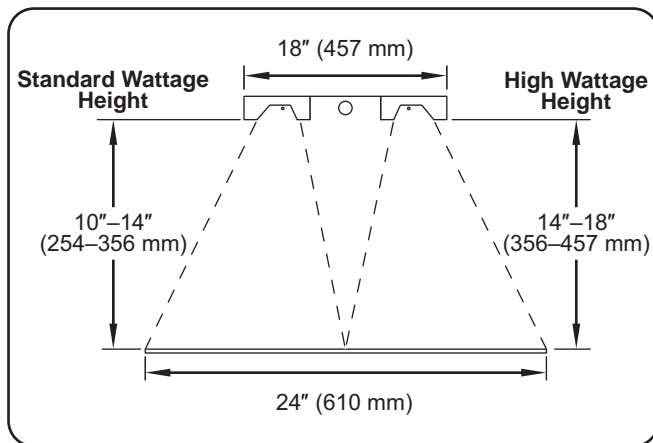
**Recommended Mounting Heights**



Recommended Element Height for the GR, GRA, GRH, GRN, GRAH, GRAL, GRNH, and GRAHL models in all lengths (excluding dual models).



Recommended Element Height for the GRA-D, GRAH-D, GRAL-D & GRAHL-D dual models with a 3" (76 mm) spacer in all lengths.

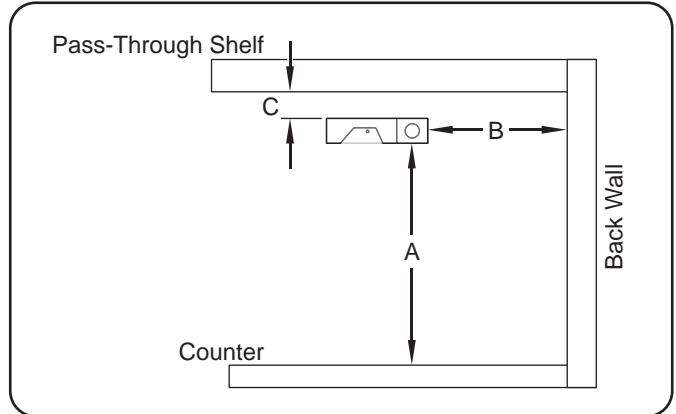


Recommended Element Height for the GRA-D, GRAH-D, GRAL-D & GRAHL-D dual models with a 6" (152 mm) spacer in all lengths.

**Minimum Clearance Requirements for Combustible Surroundings**

Models	(A)	(B)	(C)
GRA and GRAL	10" (254 mm)	3" (76 mm)	1" (25 mm)
GRAH and GRAHL	13-1/2" (343 mm)	3" (76 mm)	1" (25 mm)

NOTE: Dual strip heaters cannot be installed in combustible surroundings.



Combustible Clearance Requirements

NOTE: The size of heat patterns vary depending on the height of the unit.

## Minimum Clearance Requirements for Non-Combustible Surroundings

### Corded Units with Built-In Switches

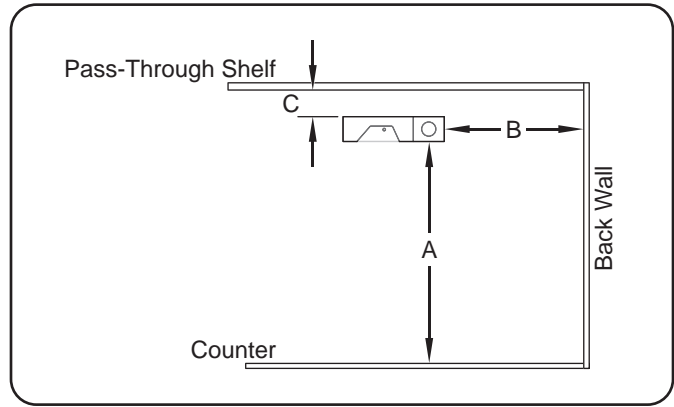
Models	(A)	(B)*	(C)
GRA and GRAL	10" (254 mm)	---	3" (76 mm)
GRAH and GRAHL	11" (279 mm)	---	3" (76 mm)

### Hardwired Units with Built-In Switches

Models	(A)	(B)*	(C)
GRA and GRAL	8" (203 mm)	---	1" (25 mm)
GRAH and GRAHL with Infinite Control or Indicator Light	10" (254 mm)	---	1" (25 mm)
GRAH and GRAHL with ON/OFF Toggle Switch	8" (203 mm)	---	1" (25 mm)

### Hardwired Units with Remote Switches

Models	(A)	(B)*	(C)
GRA and GRAL	8" (203 mm)	0" (0 mm)	0" (0 mm)
GRAH and GRAHL	8" (203 mm)	0" (0 mm)	0" (0 mm)



Non-Combustible Clearance Requirements

### Dual Units with Built-In Switches

Models	(A)	(B)*	(C)
GRA-XXD GRAH-XXD GRAL-XXD GRAHL-XXD	10" (203 mm)	---	1" (25 mm)

### Dual Units with Remote Switches

Models	(A)	(B)*	(C)
GRA-XXD GRAH-XXD GRAL-XXD GRAHL-XXD	8" (203 mm)	3" (76 mm)	0" (0 mm)

\* Must be a pass-through application—not allowed with back wall installation.



## Installing Portable Units

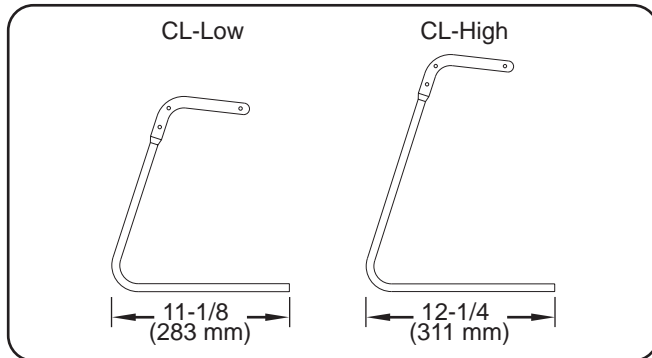
Single strip heaters under 72" (1829 mm) long can be mounted on C-Leg or T-Leg stands for portable use. Portable units are available in 120 V only and are required to have a power cord and plug connection.

**NOTE:** C-Legs and T-Legs are not to be used with dual strip heater units.

### C-Leg Stand Mounting

Two types of C-Legs are available.

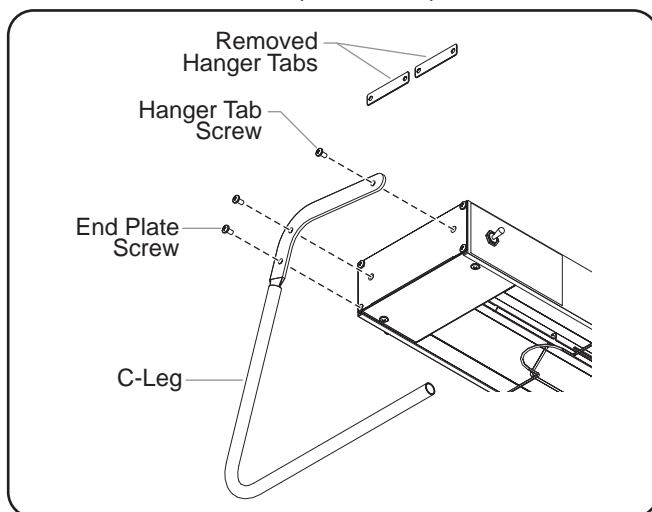
- CL-Low = 10" (254 mm) height, for standard wattage strip heaters up to 5' (1524 mm) in width only.
- CL-High = 13-1/2" (343 mm) height, for high wattage strip heaters up to 5' (1524 mm) in width only.



C-Leg Footprint Dimensions

Perform the following procedure to install a C-Leg stand on each end of the unit.

1. Position the unit upside-down on a flat surface.
2. Install sneeze guard(s), if applicable (refer to the OPTIONS AND ACCESSORIES section for details on installing a sneeze guard).
3. Remove the two hanger tab screws and hanger tabs.
4. Remove the one lower end plate screw that aligns with the lowest mounting hole on the C-Leg.
5. Align the three mounting holes on the C-Leg with the three holes on the unit. Secure the leg to the unit with the three screws removed in the previous steps.

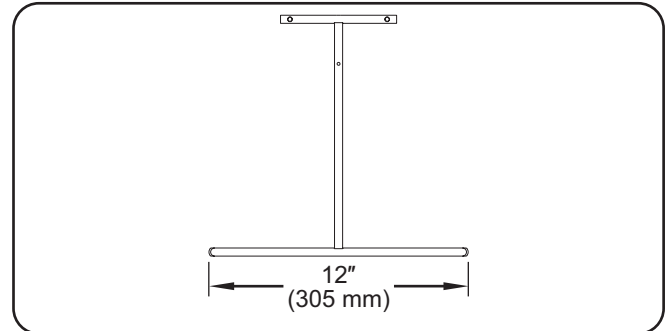


C-Leg Stand

### T-Leg Stand Mounting

T-Leg stands are available in the following heights:

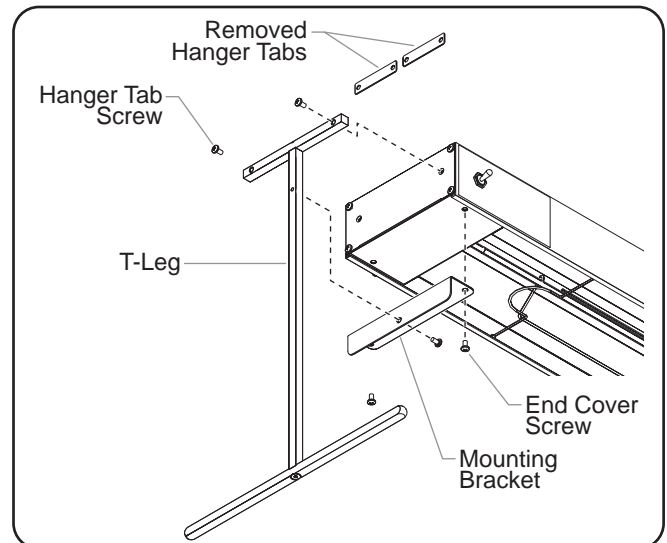
- Standard wattage units = 10" (254 mm)
- High wattage units = 13-1/2" (343 mm)  
16" (406 mm)  
18" (457 mm).



T-Leg Footprint Dimension

Perform the following procedure to install a T-Leg stand on each end of the unit.

1. Position the unit upside-down on a flat surface.
2. Install sneeze guard(s), if applicable (refer to the OPTIONS AND ACCESSORIES section for details on installing a sneeze guard).
3. Align the mounting bracket with the end cover on the underside of the unit, and remove the two screws on the end cover that match up with the holes on the mounting bracket.
4. Secure the mounting bracket to the unit with the two end cover screws.
5. Remove the two hanger tab screws and hanger tabs.
6. Align the two mounting holes on the small "T" of the T-Leg with the two hanger tab holes on the end of the unit. Secure the leg to the unit with the hanger tab screws.
7. Align the single mounting hole on the vertical post of the T-Leg with the hole on the mounting bracket. Secure from the inside with the supplied screw.



T-Leg Stand Mounting

## Installing Chain Suspended Units

Chain suspension mounting attaches a strip heater to an overhead surface with the use of “S” hooks. Chain suspended units are available in 120 V only and are required to have a power cord and plug connection.

*NOTE: Units ordered with the “S” hook option come with two “S” hooks and two 6” (152 mm) pieces of connecting chain. Additional chain (P/N 05.03.020.00) can be ordered from Hatco for the overhead mounting system or another option can be determined by a qualified installer.*

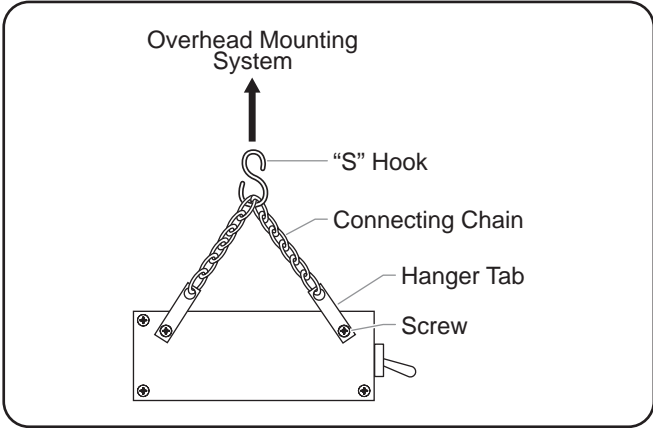
**⚠ WARNING**

**For installation with chains, make sure the chains have sufficient strength and are securely fastened to both the unit and the mounting location. Poorly installed chains may cause the unit to loosen and fall. Do not place anything on top of units installed with chains.**

**To ensure safe and proper operation, refer to the Clearance Requirements listed in the Installation section of this manual.**

*NOTE: The strength of the chain supplied by Hatco is sufficient to hold the weight of the unit securely only when mounted properly.*

1. Prepare the overhead mounting system for the “S” hooks. Make sure the system is secure and is set up so the unit will be suspended at a level, safe, and proper distance from walls, counter, and food.
2. Loosen, but do not remove the screws securing the hanger tabs on each end of the unit. Rotate the tabs up, then tighten the screws securely.
3. Securely attach one of the 6” (152 mm) connecting chains between each pair of hanger tabs.
4. Attach an “S” hook to the center of each connecting chain.
5. Carefully lift the unit and attach the “S” hooks on each end of the unit to the overhead mounting system. Make sure the unit is level.



“S” Hook Mounting

## Installing Permanent Units

Strip heaters can be mounted permanently with tubular stands or angle brackets. Permanent units are not available with a power cord and plug connection. Refer to the proper permanent mounting section for the installation procedure.

### Tubular Stand Mounting

Tubular stand mounting permanently attaches the unit to a countertop or serving table. All wiring may be concealed within one of the tubular stands.

#### CAUTION

To ensure safe and proper operation, refer to the Clearance Requirements listed in the INSTALLATION section of this manual.

Non-adjustable tubular stands are available in aluminum, Designer colors, or gloss finishes in heights from 10"–16" (254–406 mm). Adjustable tubular stands are available in stainless steel in heights from 10"–14" (254–356 mm).

*NOTE: Tubular stands are not field retrofittable.*

*NOTE: If wiring is to be concealed, a 1" (25 mm) diameter hole must be provided in the mounting surface under the stand containing the wiring conduit.*

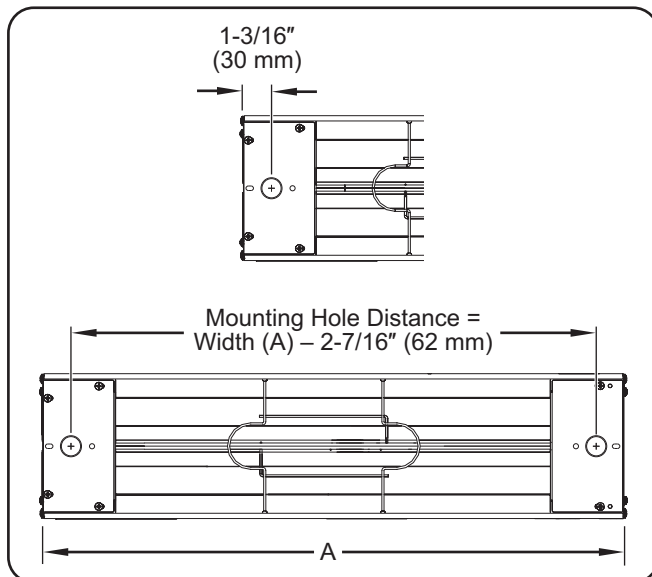
1. Position the unit upside-down on a flat surface.

*NOTE: Units for this application are supplied with the conduit attached to one side of the unit. Conduit should not be removed.*

2. If applicable, prepare the mounting surface for concealing wiring.
  - a. Cut a 1" (25 mm) diameter hole into the mounting surface at the appropriate location.

*NOTE: The distance between the center of the two stands is found by subtracting 2-7/16" (62 mm) from the overall width of the strip heater.*

- b. Route the flexible conduit through the tubular stand and into the mounting surface.

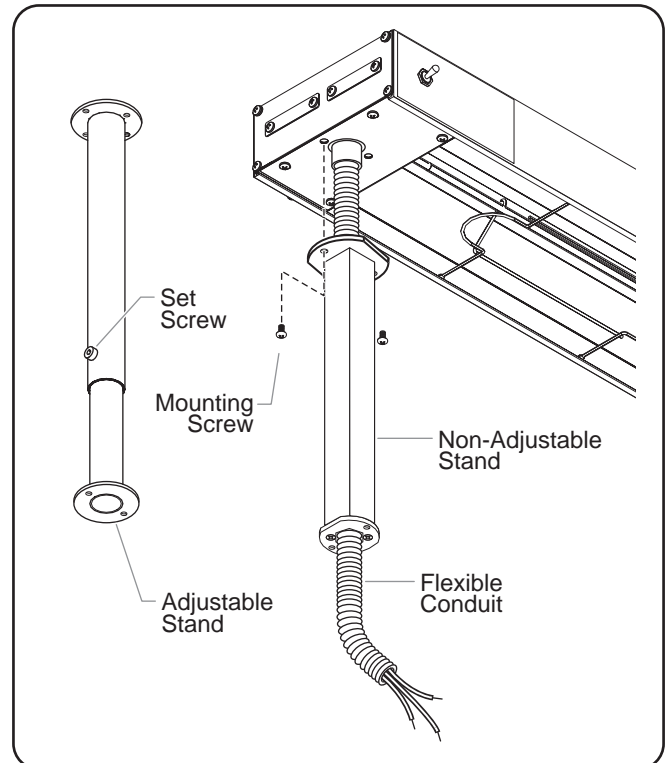


Countertop Conduit Hole Dimension

3. Secure the conduit-side stand to the unit using the screws supplied.
4. Align the opposite-side stand with the mounting holes at the other end of the unit and secure the stand to the unit using the screws supplied.
5. Secure the stands to the mounting surface.

*NOTE: The adjustable stands can be raised or lowered by turning the locking set screw counterclockwise one turn with an Allen wrench. After loosening the set screw, raise or lower the unit to the desired height and retighten the screw. Do not loosen the screw more than necessary.*

*NOTE: Two pairs of stands will be needed for mounting dual units.*



Tubular Stand Mounting

## Adjustable Angle Bracket Mounting

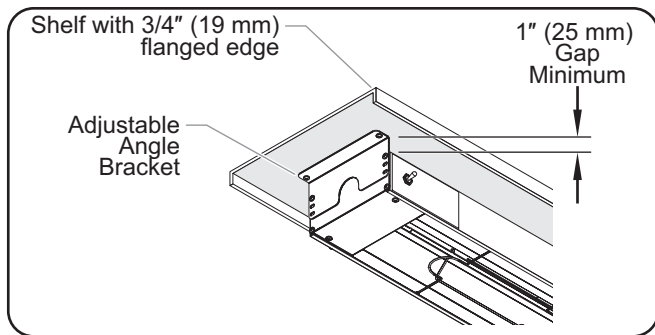
Mounting a strip heater with adjustable angle brackets permanently attaches the unit to the underside of a shelf. Units can be mounted to a flat shelf or a shelf with rolled/flanged edges. Adjustable angle brackets provide the necessary gap between the unit and a combustible shelf.



To ensure safe and proper operation, refer to the “Minimum Clearance Requirements” listed in the INSTALLATION section of this manual.

*NOTE: When mounting the unit under a shelf, it is recommended to use remote-mounted control switches.*

Use the optional adjustable angle brackets to mount the unit below the lowest part of the rolled or flanged edge of the shelf (a minimum gap of 1" [25 mm] is required between the unit and the underside of a rolled or flanged shelf to prevent heat damage to the electrical system of the unit).



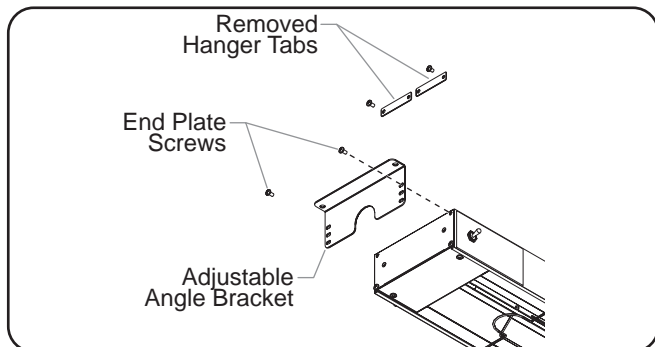
Flanged Edge Shelf Installation

*NOTE: GRN Series units are supplied with matching Designer-colored angle brackets that provide 1-1/2" (38 mm) clearance between the unit and an overshelf.*

## Adjustable Angle Bracket Mounting on Aluminum Models

Use the following procedure to install adjustable brackets on each end of aluminum housing models (GRA, GRAH, GRAL, and GRAHL).

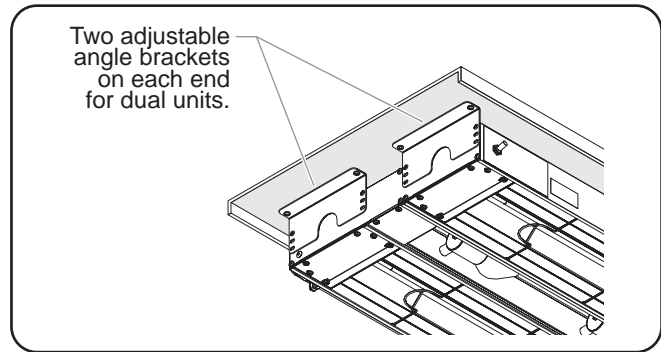
1. Position the unit on a flat surface with the heating element facing down.
2. Remove the two hanger tab screws and hanger tabs. These items will not be needed.
3. Remove the two upper end plate screws.
4. Align the adjustable angle bracket with the end plate mounting holes on the unit. Secure the angle bracket with the previously removed end plate screws.



Aluminum Model Adjustable Angle Bracket Installation

5. Fasten the angle brackets to the underside of the shelf using appropriate fasteners (not supplied by Hatco).

*NOTE: Two pairs of brackets will be needed for dual units.*

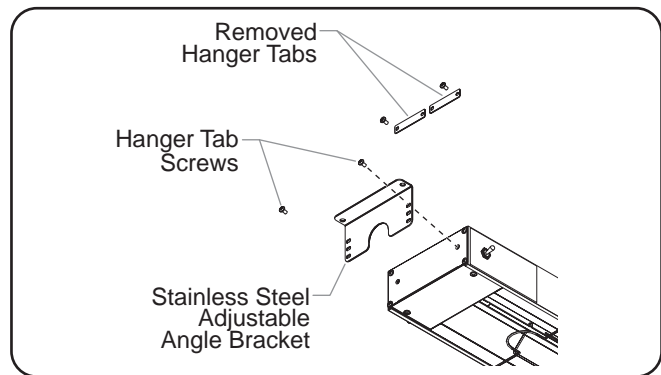


Dual Unit Mounting

## Adjustable Angle Bracket Mounting on Stainless Steel Models

Use the following procedure to install adjustable angle brackets on each end of stainless steel housing models (GR and GRH models).

1. Position the unit on a flat surface with the heating element facing down.
2. Remove the two hanger tab screws and hanger tabs.
3. Align the adjustable angle bracket with the hanger tab mounting holes on the unit.
4. Secure the angle bracket with the previously removed hanger tab screws.
5. Fasten the angle brackets to the underside of the shelf using appropriate fasteners (not supplied by Hatco).



Stainless Steel Model Adjustable Angle Bracket Installation

## Electrical Information

Refer to the wiring diagram supplied with the unit and specification label attached to the unit for specific electrical information. Also, refer to the "Electrical Rating Charts" document on the Infrared Strip Heaters page of the Hatco website ([www.hatcocorp.com](http://www.hatcocorp.com)).

### ⚠ WARNING

**ELECTRIC SHOCK HAZARD:** For hardwired units, all electrical connections must be in accordance with local electrical codes and any other applicable codes. Connections should be made by a qualified, licensed electrician.

### ⚠ CAUTION

Strip heaters equipped with incandescent lights that require a circuit breaker larger than 20 amps for the heat element must have a separate circuit breaker for the incandescent lights that is 20 amps or less.

*NOTE: If the unit being installed is not shown or listed in this manual, refer to the wiring diagram supplied with the unit and the installation information on the unit for further instructions.*

### Power Supply

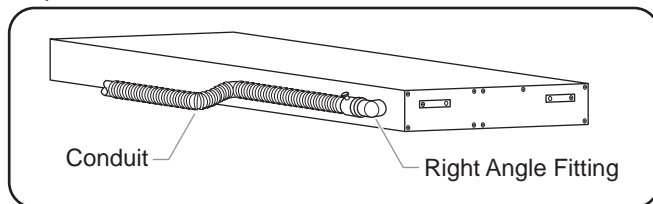
Install supply wire and connectors suitable for at least 194°F (90°C).

- Use a minimum of No. 14 AWG copper wire for individual circuits up to 15 amps.
- Use a minimum of No. 12 AWG copper wire for individual circuits 15 to 20 amps.
- Use a minimum of No. 10 AWG copper wire for individual circuits 20 to 25 amps.
- Use a minimum of No. 8 AWG copper wire for individual circuits 25 to 30 amps.

*NOTE: Refer to the wiring diagram supplied with the unit and specifications label attached to the unit for specific electrical information.*

### Conduit Connection

Units supplied with a right angle fitting and flexible conduit attached have had all internal connections completed at the factory. Attach the proper power supply leads to the high temperature lead wires in the conduit.



Conduit Connections

### Power Cord and Plug Models

Units can be supplied with a 6' (1829 mm) power cord and plug attached at the factory if the unit meets the following guidelines:

- 120 volt unit
- Single heating element
- 72" (1829 mm) or less in length
- Built-in switch
- Portable mounting using C-Legs or T-Legs supplied by Hatco or stationary mounting using "S" hooks and mounting chain supplied by Hatco.

### ⚠ WARNING

**ELECTRIC SHOCK HAZARD:** Plug unit into a properly grounded electrical receptacle of the correct voltage, size, and plug configuration. If plug and receptacle do not match, contact a qualified electrician to determine and install proper voltage and size electrical receptacle.

*NOTE: Units intended for fixed or permanent mounting cannot have a power cord attached and must be hardwired according to local and national electrical codes.*

### Remote Control Enclosures

Hatco remote control enclosures include switches, wire leads, and/or indicator lights and are shipped ready for installation.

The RMB Series require one remote control enclosure per strip heater. The RMB2 Series allows multiple strip heaters to be connected to one remote control enclosure.

*NOTE: Remote control enclosures are available in several configurations depending on the model. All enclosures are built in accordance with UL standards to accommodate switches, indicator lights, and wiring. See the OPTIONS AND ACCESSORIES section near the back of this manual for more information.*

### NOTICE

**To prevent premature failure of components due to excessive heat, remote mounted control switches must be installed outside the strip heater heat zone.**

### Remote Mounted Control Switches

Optional remote mounted control switches include ON/OFF toggle switches and infinite control switches. These switches need to be installed into an approved electrical box/enclosure (not supplied) by a qualified electrician.

*NOTE: When two or more units are mounted where the heat from one housing tends to raise the temperature of another, the control switches should be installed in a remote control enclosure. Units in a multiple installation should use remote mounted control switches.*

## General

Glo-Ray® Infrared Strip Heaters are designed for ease of operation. Use the following information and procedures to operate the unit.



**WARNING**

Read all safety messages in the **IMPORTANT SAFETY INFORMATION** section before operating this equipment.



**CAUTION**

**BURN HAZARD:** Some exterior surfaces on unit will get hot. Use caution when touching these areas.

Standard and approved manufacturing oils may smoke up to 30 minutes during initial startup. This is a temporary condition. Operate unit without food product until smoke dissipates.

## Controls

Strip heaters come standard with controls mounted to the unit or with optional remote mounted controls. The following is a list of the available controls for the strip heaters.

**ON/OFF (I/O) Toggle Switch**—Turns power on and off to the heating elements and/or the lights (depending on control configuration).

**Infinite Control**—Turns on the power and controls the temperature of the heating elements. The infinite control is available either built-in or on a remote control enclosure.

*NOTE: Dual units cannot be equipped with built-in infinite controls.*

**Lights ON/OFF Toggle Switch**—Turns power on and off to the lights.

**Indicator Light**—Illuminates when power is on, shuts off when power is off.

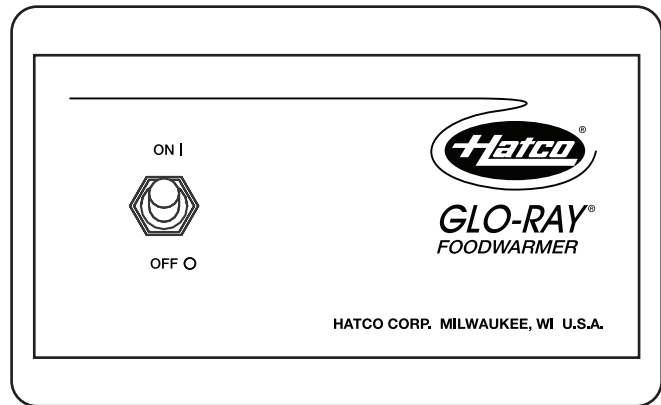
*NOTE: Toggle switches cannot be used on circuits that exceed 15 amps. Infinite controls cannot be used on circuits that exceed 12.2 amps.*

## Startup

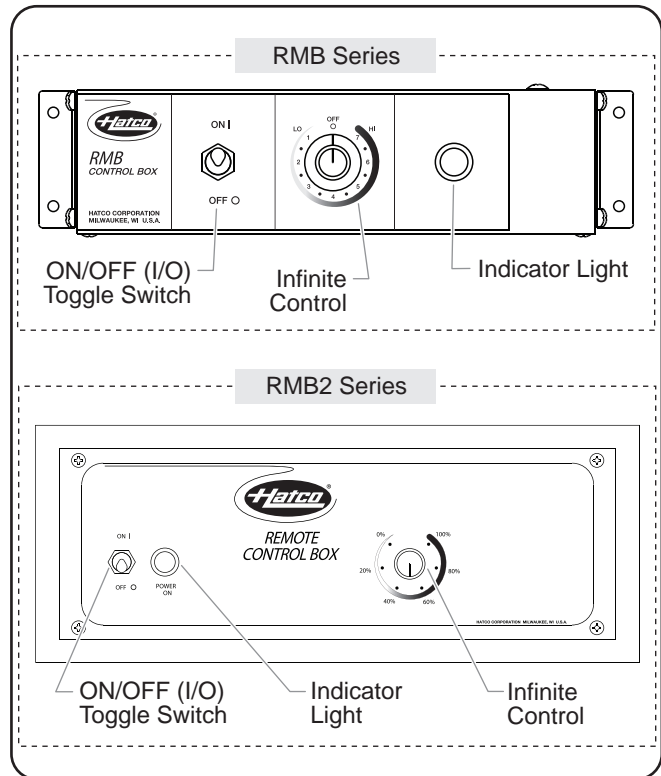
1. Turn on the heating element(s). The indicator light (if equipped) will illuminate and the heating elements will energize.
  - If unit is equipped with a ON/OFF (I/O) toggle switch, move the toggle switch to the ON (I) position.
  - If unit is equipped with an optional infinite control(s), turn the control to the desired setting.

*NOTE: Allow 15–20 minutes to reach operating temperature.*

2. On models equipped with display lights, move the light ON/OFF (I/O) toggle switch to the ON (I) position.



Control Panel with ON/OFF (I/O) Toggle Switch



Remote Control Enclosures

*NOTE: Refer to the OPTIONS AND ACCESSORIES section for remote control enclosure information.*

## Shutdown

1. Move the ON/OFF (I/O) toggle switch to the OFF (O) position or turn the optional infinite control(s) to the OFF (O) position.
  - The indicator light (if equipped) will shut off and the heating elements will shut down.
2. On models equipped with display lights, move the light ON/OFF (I/O) toggle switch to the OFF (O) position.



## General

Glo-Ray Infrared Strip Heaters are designed for maximum durability and performance with minimum maintenance.

### **⚠ WARNING**

#### ELECTRIC SHOCK HAZARD:

- Turn OFF power switch, unplug power cord/turn off power at circuit breaker, and allow unit to cool before performing any cleaning, adjustments, or maintenance.
- DO NOT submerge or saturate with water. Unit is not waterproof. Do not operate if unit has been submerged or saturated with water.
- Do not steam clean or use excessive water on unit.
- This unit is not “jet-proof” construction. Do not use jet-clean spray to clean this unit.

This unit has no “user-serviceable” parts. If service is required on this unit, contact an Authorized Hatco Service Agent or contact the Hatco Service Department at 800-558-0607 or 414-671-6350; fax 800-690-2966; or International fax 414-671-3976.

Use only Genuine Hatco Replacement Parts when service is required. Failure to use Genuine Hatco Replacement Parts will void all warranties and may subject operators of the equipment to hazardous electrical voltage, resulting in electrical shock or burn. Genuine Hatco Replacement Parts are specified to operate safely in the environments in which they are used. Some aftermarket or generic replacement parts do not have the characteristics that will allow them to operate safely in Hatco equipment.

### **NOTICE**

Use non-abrasive cleaners and cloths only. Abrasive cleaners and cloths could scratch the finish of the unit, marring its appearance and making it susceptible to soil accumulation.

## Cleaning

To preserve the finish of the strip heater, it is recommended that all surfaces be cleaned daily.

1. Turn off the unit and allow the unit to cool.
2. Wipe down all metal surfaces with a water-dampened, non-abrasive cloth. Stubborn stains may be removed with a good stainless steel or non-abrasive cleaner. Clean hard to reach areas using a small brush and mild soap.
3. Wipe dry the entire unit using a non-abrasive, dry cloth.

## Replacing Display Light Bulbs

### **⚠ WARNING**

Use only light bulbs that meet or exceed National Sanitation Foundation (NSF) standards and are specifically designed for food holding areas. Breakage of light bulbs not specially coated could result in personal injury and/or food contamination.

The display light is an incandescent or optional halogen bulb that illuminates the warming area. These bulbs have a special coating to guard against injury and food contamination in the event of breakage.

To replace a display light bulb:

1. Disconnect the power supply and wait until the unit has cooled.
2. Unscrew the light bulb from the unit and replace it with a new, specially-coated incandescent or optional halogen bulb.

*NOTE: Hatco shatter-resistant light bulbs meet NSF standards for food holding and display areas. For 120, 120/208, 120/240, and 100/200 volt applications, use Hatco P/N 02.30.043.00. For 200, 220, 230 and 240 volt applications, use Hatco P/N 02.30.058.00.*

*NOTE: Halogen bulbs are available as an option for aluminum housing models only. For 120, 120/208, and 120/240 volt applications, use Hatco P/N 02.30.081.00. For 220–240 volt applications, use Hatco P/N 02.30.082.00.*

**⚠ WARNING**

This unit must be serviced by qualified personnel only. Service by unqualified personnel may lead to electric shock or burn.

**⚠ WARNING**

**ELECTRIC SHOCK HAZARD:** Turn OFF power switch, unplug power cord/turn off power at circuit breaker, and allow unit to cool before performing any cleaning, adjustments, or maintenance.

Symptom	Probable Cause	Corrective Action
Unit is turned "On" but there is no heat.	No power to unit.	Check circuit breaker and reset as necessary.
	Switch is defective.	Contact Authorized Service Agent or Hatco for assistance.
	Wiring is open.	Contact Authorized Service Agent or Hatco for assistance.
	Heating element defective.	Contact Authorized Service Agent or Hatco for assistance.
Heat is inadequate.	Unit mounted too high above target area.	Lower unit, putting effective heat closer to target.
	Excessive air movement around strip heater target area.	Restrict or redirect air movement (air conditioning duct or exhaust fan) away from unit.
	Incorrect power supply (low).	Check power supply to unit, making sure it matches rating on the unit. If power supply is incorrect, change to match rating on unit.
Heat is excessive.	Unit mounted too close to target area.	Check to see that installation is within specifications for type/model. Increase mounting height if too close.
	Voltage supply too high.	Check power supply to unit, making sure it matches rating on unit. If power supply is incorrect, change to match rating.
Control switches burn out.	Unit mounted improperly.	Move the unit the proper distance away from walls, counters, and/or pass-through shelves. Refer to the INSTALLATION section for guidelines.
	Remote control enclosure is mounted too close to the heat zone.	Move remote control enclosure away from the heat zone.
	Switches used are not Hatco supplied.	Genuine Hatco Parts are specified to operate safely and properly in the environment in which they are used. Contact Authorized Service Agent or Hatco to replace switches with Genuine Hatco Replacement Parts.

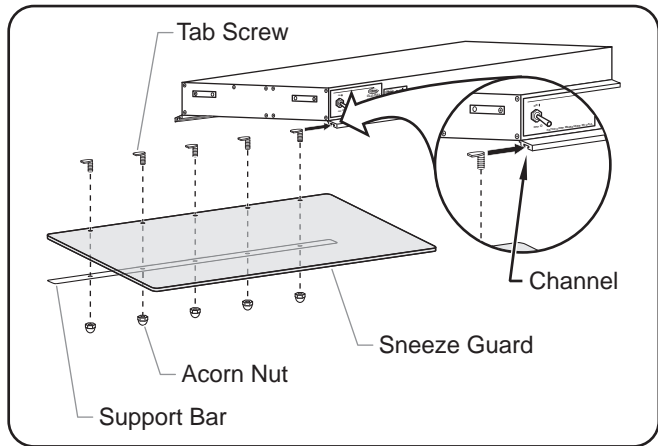
## OPTIONS AND ACCESSORIES

### Sneeze Guards

Optional sneeze guards are available for aluminum models only. They are available in sizes of 9-3/8" (238 mm) and 14" (356 mm). Sneeze guards can be installed on either one side or both sides of the unit.

To install a sneeze guard:

1. Remove the protective paper from the sneeze guard.
2. Assemble each tab screw through the top of the sneeze guard and through the support bar. Loosely thread an acorn nut onto each of the tab screws below the support bar.
3. Lift the sneeze guard assembly and carefully slide each of the tab screws that are loosely attached to the sneeze guard into the channel on the unit.
4. Align each end of the sneeze guard with the ends of the unit and then tighten the acorn nuts to secure the sneeze guard in position. Do not over-tighten the acorn nuts.



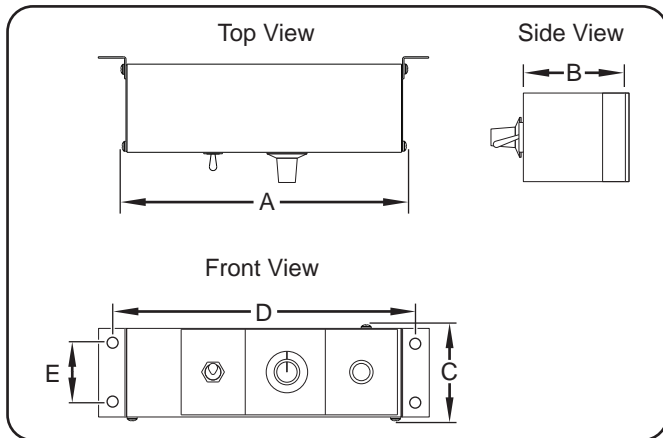
Installing Sneeze Guards

**Remote Control Enclosures — RMB Series**

RMB Series remote control enclosures are available in various configurations for use with strip heaters. Remote control enclosures locate controls away from the heat of the unit, increasing the life span of the controls. All models are built in accordance with UL standards with switches, indicator lights, and wiring. Consult the factory for type and location of RMB Series controls for enclosure.

*NOTE: RMB Series remote control enclosures require one remote control enclosure per strip heater.*

Models	Width (A)	Depth (B)	Height (C)	Screw Width (D)	Screw Height (E)
RMB-3 Series	5-15/16" (150 mm)	3" (76 mm)	2-5/8" (67 mm)	6-5/16" (161 mm)	1-5/8" (41 mm)
RMB-7 Series	9-3/8" (239 mm)	3" (76 mm)	2-5/8" (67 mm)	9-13/16" (249 mm)	1-5/8" (41 mm)
RMB-14 Series	14-3/8" (366 mm)	3" (76 mm)	2-5/8" (67 mm)	14-13/16" (376 mm)	1-5/8" (41 mm)
RMB-16 Series	16-3/8" (417 mm)	3" (76 mm)	2-5/8" (67 mm)	16-13/16" (427 mm)	1-5/8" (41 mm)
RMB-20 Series	20-3/8" (518 mm)	3" (76 mm)	2-5/8" (67 mm)	20-13/16" (529 mm)	1-5/8" (41 mm)



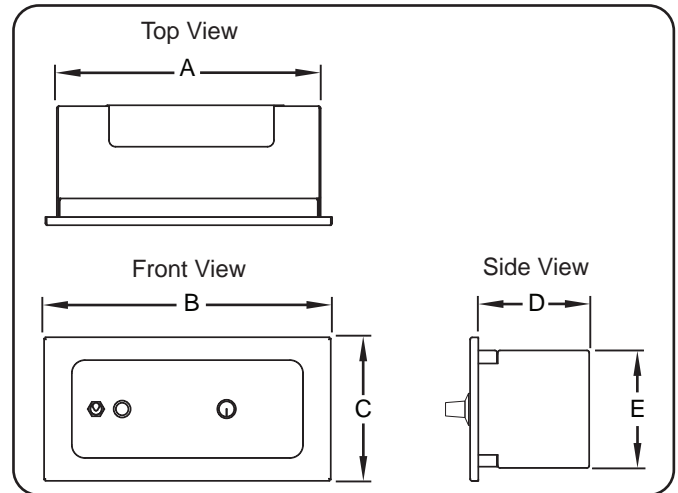
Dimensions — RMBs

**Remote Control Enclosure — RMB2 Series**

RMB2 Series remote control enclosures allow multiple strip heaters to be wired to and controlled by a single enclosure. The total amp draw of all connected strip heaters cannot exceed the rating of the remote control enclosure. Consult the factory for information regarding the proper RMB2 Series remote control enclosure for a specific application.

**RMB2 Series Dimensions**

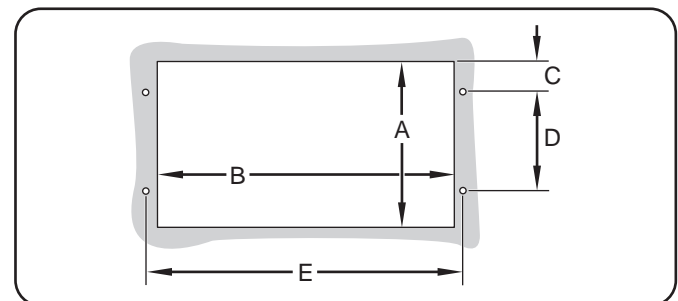
Models	Width (A)	Width (B)	Height (C)	Depth (D)	Height (E)
RMB2-1R	10-1/8" (257 mm)	11" (279 mm)	5-1/2" (140 mm)	4-1/4" (109 mm)	4-5/8" (116 mm)
RMB2-2R	13-1/8" (333 mm)	14" (356 mm)	5-1/2" (140 mm)	4-1/4" (109 mm)	4-5/8" (116 mm)



Dimensions — RMB2s

**RMB2 Series Cutout Dimensions**

Models	Opening Cutout Dimensions		Screw Hole Dimensions		
	(A)	(B)	(C)	(D)	(E)
RMB2-1R	4-3/4" (121 mm)	10-1/8" (257 mm)	1-1/8" (29 mm)	2-1/2" (64 mm)	10-7/16" (265 mm)
RMB2-2R	4-3/4" (121 mm)	13-1/8" (333 mm)	1-1/8" (29 mm)	2-1/2" (64 mm)	13-7/16" (341 mm)



Cutout Dimensions — RMB2s

## 1. PRODUCT WARRANTY

Hatco warrants the products that it manufactures (the "Products") to be free from defects in materials and workmanship, under normal use and service, for a period of one (1) year from the date of purchase when installed and maintained in accordance with Hatco's written instructions or 18 months from the date of shipment from Hatco. Buyer must establish the Product's purchase date by registering the Product with Hatco or by other means satisfactory to Hatco in its sole discretion.

Hatco warrants the following Product components to be free from defects in materials and workmanship from the date of purchase (subject to the foregoing conditions) for the period(s) of time and on the conditions listed below:

**a) One (1) Year Parts and Labor PLUS One (1) Additional Year Parts-Only Warranty:**

Conveyor Toaster Elements (metal sheathed)  
Drawer Warmer Elements (metal sheathed)  
Drawer Warmer Drawer Rollers and Slides  
Strip Heater Elements (metal sheathed)  
Display Warmer Elements (metal sheathed air heating)  
Holding Cabinet Elements (metal sheathed air heating)  
Heated Well Elements — HWB Series (metal sheathed)

**b) One (1) Year Parts and Labor PLUS Four (4) Years Parts-Only Warranty:**

3CS and FR Tanks

**c) One (1) Year Parts and Labor PLUS Nine (9) Years Parts-Only Warranty on:**

Electric Booster Heater Tanks  
Gas Booster Heater Tanks

**d) Ninety (90) Day Parts-Only Warranty:**

Replacement Parts

THE FOREGOING WARRANTIES ARE EXCLUSIVE AND IN LIEU OF ANY OTHER WARRANTY, EXPRESSED OR IMPLIED, INCLUDING BUT NOT LIMITED TO ANY IMPLIED WARRANTY OF MERCHANTABILITY OR FITNESS FOR A PARTICULAR PURPOSE OR PATENT OR OTHER INTELLECTUAL PROPERTY RIGHT INFRINGEMENT. Without limiting the generality of the foregoing, SUCH WARRANTIES DO NOT COVER: Coated incandescent light bulbs, fluorescent lights, heat lamp bulbs, coated halogen light bulbs, halogen heat lamp bulbs, xenon light bulbs, LED light tubes, glass components, and fuses; Product failure in booster tank, fin tube heat exchanger, or other water heating equipment caused by liming, sediment buildup, chemical attack, or freezing; or Product misuse, tampering or misapplication, improper installation, or application of improper voltage.

## 2. LIMITATION OF REMEDIES AND DAMAGES

Hatco's liability and Buyer's exclusive remedy hereunder will be limited solely, at Hatco's option, to repair or replacement using new or refurbished parts or Product by Hatco or a Hatco-authorized service agency (other than where Buyer is located outside of the United States, Canada, United Kingdom, or Australia, in which case Hatco's liability and Buyer's exclusive remedy hereunder will be limited solely to replacement of part under warranty) with respect to any claim made within the applicable warranty period referred to above. Hatco reserves the right to accept or reject any such claim in whole or in part. In the context of this Limited Warranty, "refurbished" means a part or Product that has been returned to its original specifications by Hatco or a Hatco-authorized service agency. Hatco will not accept the return of any Product without prior written approval from Hatco, and all such approved returns shall be made at Buyer's sole expense. HATCO WILL NOT BE LIABLE, UNDER ANY CIRCUMSTANCES, FOR CONSEQUENTIAL OR INCIDENTAL DAMAGES, INCLUDING BUT NOT LIMITED TO LABOR COSTS OR LOST PROFITS RESULTING FROM THE USE OF OR INABILITY TO USE THE PRODUCTS OR FROM THE PRODUCTS BEING INCORPORATED IN OR BECOMING A COMPONENT OF ANY OTHER PRODUCT OR GOODS.

<b>Informations Importantes pour le Propriétaire</b> .....	19	Installation d'unités Mobiles.....	27
<b>Introduction</b> .....	19	Installation d'unités Suspendues à des Chaînes .....	28
<b>Consignes de Sécurité Importantes</b> .....	20	Installation d'unités Permanentes.....	28
<b>Description du Modèle</b> .....	21	Informations sur le câblage électrique .....	30
<b>Désignation du Modèle</b> .....	22	<b>Mode d'emploi</b> .....	31
<b>Caractéristiques Techniques</b> .....	22	Généralités .....	31
Configuration des Fiches.....	22	<b>Maintenance</b> .....	32
Dimensions.....	23	Nettoyage .....	32
<b>Installation</b> .....	24	Remplacement du tube d'éclairage.....	32
Généralités .....	24	<b>Guide de Dépannage</b> .....	33
Hauteurs Recommandées pour le Montage .....	25	<b>Options et Accessoires</b> .....	33
Dégagement Minimum exigé en cas d'environnement		<b>Garantie Limitée</b> .....	35
Combustible.....	25	<b>Autorisés Distributeurs de Pièces</b> .....	Couverture Arrière
Dégagement Minimum Exigé en cas d'environnement			
Non Combustible .....	26		

## INFORMATIONS IMPORTANTES POUR LE PROPRIÉTAIRE

Notez le numéro de modèle, le numéro de série, la tension et la date d'achat de l'appareil dans les espaces ci-dessous (étiquette de spécification située sur le côté de l'appareil). Veuillez avoir cette information à portée de la main si vous appelez Hatco pour assistance.

Modèle No. \_\_\_\_\_

Numéro de série \_\_\_\_\_

Voltage \_\_\_\_\_

Date d'achat \_\_\_\_\_

### Enregistrez votre appareil!

Remplissez la garantie en ligne pour éviter les retards pour faire jouer la garantie. Accédez au site Web Hatco [www.hatcocorp.com](http://www.hatcocorp.com), sélectionnez le menu déroulant Parts & Service, puis cliquez sur Warranty Registration.

Horaires ouvrables: 8h00 à 17h00  
Heure du Centre des États-Unis (CST)  
(Horaires d'été : juin à septembre—  
8h00 à 17h00 CST du lundi au jeudi  
8h00 à 14h30 CST le vendredi)

Téléphone : (800) 558-0607; (414) 671-6350

Courriel : [partsandservice@hatcocorp.com](mailto:partsandservice@hatcocorp.com)

Télécopieur : (800) 690-2966 (Pièces et Service après-vente)



24 heures 7 Pièces de jour et de service  
Aide offerte aux États-Unis et le Canada  
en composant le (800) 558-0607.

Des renseignements supplémentaires sont disponibles sur notre site Web à [www.hatcocorp.com](http://www.hatcocorp.com).

## INTRODUCTION

Les rampes chauffantes à infrarouge Glo-Ray® garantissent une durée de conservation des aliments maximale et minimisent le risque de maladie d'origine alimentaire. Une sécurité et une qualité optimum sont le résultat de la conservation des aliments aux bonnes températures de service en utilisant les schémas de chaleur préétablis par Glo-Ray's. Le profil de chaleur pré-focalisé empêche les aliments d'être trop cuits au milieu et tièdes sur les bords, en concentrant des températures plus élevées vers les bords extérieurs des surfaces de service, où la perte de chaleur est la plus importante. Grâce à des réflecteurs spécialement conçus pour diriger la chaleur à partir de l'élément, les rampes chauffantes Glo-Ray permettent aux aliments de conserver des températures de service bien réparties en toute sécurité, et ce sans les cuire au-delà de leur point de cuisson optimale.

Les rampes chauffantes à infrarouge Glo-Ray sont disponibles en sortie d'usine avec ou sans lampes à incandescence résistantes à l'éclatement destinées à éclairer la zone de maintien au chaud. Ces ampoules possèdent un enduit spécial destiné à éviter toute blessure et toute contamination des éléments en cas de casse.

Les rampes chauffantes à infrarouge Glo-Ray sont des produits issus d'une recherche approfondie ; elles ont subi des essais sur le terrain. Les matériaux utilisés ont été sélectionnés pour un maximum de durabilité, d'aspect esthétique et de performance optimum. Chaque appareil est minutieusement inspecté et testé avant expédition.

Ce manuel fournit des instructions pour l'entretien, l'utilisation et le fonctionnement des réchauffeurs de bande de Glo-Ray. Hatco vous recommande de lire l'ensemble des instructions d'installation, de sécurité et de fonctionnement contenues dans ce manuel avant d'installer et d'utiliser l'appareil.

Les consignes de sécurité qui apparaissent dans ce manuel sont identifiées par les mots indicateurs suivants :

### ⚠ AVERTISSEMENT

**AVERTISSEMENT** indique une situation dangereuse qui, si elle n'est pas évitée, peut provoquer la mort ou des blessures graves.

### ⚠ ATTENTION

**ATTENTION** indique une situation dangereuse qui, si elle n'est pas évitée, peut provoquer des blessures légères ou moyennes.

### AVIS

**AVIS** est utilisé pour des questions sans rapport avec des blessures corporelles.





Lisez l'information de sécurité importante suivante avant d'utiliser cet équipement pour éviter des dommages ou la mort sérieux et pour éviter d'endommager l'équipement ou la propriété.

## ⚠ AVERTISSEMENT

### DANGER DE DÉCHARGE ÉLECTRIQUE :

- Les appareils fournis sans câble et prise électrique nécessitent une connexion câblée au système électrique sur place. La connexion doit être correctement mise à la terre et doit correspondre au voltage, à la taille et à la configuration correspondant aux spécifications de l'appareil. Contactez un électricien qualifié pour déterminer et installer la connexion électrique adaptée.
- Branchez l'unité à une prise correctement reliée à la terre et possédant le voltage, la dimension et la configuration adéquats. Si la fiche et la prise ne correspondent pas, contactez un électricien qualifié afin de déterminer et d'installer une prise électrique possédant la taille et la tension adéquate.
- Tournez le interrupteur sur « ARRÊT » pour éteindre la rampe, débranchez le cordon d'alimentation/coupez le courant au disjoncteur et laissez refroidir l'unité avant d'effectuer toute opération de nettoyage, de réglage ou d'entretien.
- NE PAS immerger l'appareil ni le saturer d'eau. L'appareil n'est pas étanche à l'eau. Ne pas le faire fonctionner s'il a été immergé ou saturé d'eau.
- Ne pas nettoyer à la vapeur ni utiliser trop d'eau sur l'appareil.
- Cet appareil n'est pas étanche aux jets. Ne pas utiliser de jet sous pression pour nettoyer l'appareil.
- Interrompez l'utilisation de l'unité si le cordon d'alimentation est effiloché ou usé.
- N'essayez jamais de réparer ou de remplacer un cordon d'alimentation endommagé. Celui-ci devra être remplacé par Hatco, un agent de service agréé par Hatco ou une personne possédant des qualifications similaires.
- Utilisez uniquement des pièces de rechange d'origine Hatco lorsque l'entretien est nécessaire. Utilisez des pièces détachées Hatco authentiques sous peine d'annuler toutes les garanties et d'exposer l'utilisateur à des tensions électriques dangereuses pouvant entraîner une électrocution ou des brûlures. Les pièces de rechange authentiques Hatco sont spécifiées pour fonctionner en toute sécurité dans les environnements dans lesquels elles sont utilisées. Certaines pièces de rechange génériques ou d'après-vente n'ont pas les caractéristiques qui leur permettent d'opérer en toute sécurité dans les équipements Hatco.

### DANGER D'INCENDIE :

- Positionnez l'unité à bonne distance des murs et matériaux combustibles. Si les distances de sécurité ne sont pas respectées, une décoloration ou combustion peut avoir lieu. Reportez-vous aux informations spécifiques d'installation et de montage de ce manuel pour connaître les dégagements adéquats.
- Assurez-vous de suivre les informations d'installation ci-dessous pour des rampes chauffantes spécifiques. Si les distances de sécurité ne sont pas respectées, une décoloration ou combustion peut avoir lieu.
  - a. N'installez pas de rampe chauffante de puissance standard (séries GR, GRA, GRN, GRAL) à moins de 10" (254 mm) au-dessus d'une surface combustible.
  - b. N'installez pas de rampes chauffantes à haute puissance (séries GRH, GRAH, GRNH, GRAHL) à moins de 13 1/2" (343 mm) au-dessus d'une surface combustible.
  - c. N'installez pas de doubles rampes chauffantes (séries GRA-XXD, GRAH-XXD, GRAL-XXD et GRAHL-XXD Séries) au-dessus d'une surface combustible.
  - d. Installez toutes les rampes chauffantes simples à une distance minimale de 3" (76 mm) par rapport aux murs ou surfaces adjacentes combustibles.

## ⚠ AVERTISSEMENT

Cet appareil ne contient aucune pièce réparable par l'utilisateur. Si cet appareil doit être réparé, contacter un réparateur Hatco agréé ou le Service après-vente Hatco au 800-558-0607 ou 414-671-6350 ; télécopieur 800-690-2966; télécopieur internationale 414-671-3976.

N'utiliser que des ampoules électriques qui correspondent ou qui surpassent les standards de la Fondation Nationale des Affaires Sanitaires (NSF) et qui sont spécifiquement conçus pour les espaces de conservation des aliments. La casse d'ampoules électriques non enduites de manière spécifique pourrait entraîner des lésions corporelles et/ou une contamination des aliments.

**RISQUE D'EXPLOSION:** Ne conservez pas ou n'utilisez pas d'essence ou d'autres vapeurs ou liquides inflammables à proximité de cet appareil ou de tout autre appareil.

Cet appareil ne doit pas être utilisé par des enfants ou des personnes avec des capacités physiques, sensorielles ou mentales diminuées. Assurez-vous que les enfants sont bien surveillés et tenez-les à l'écart de l'appareil.

Assurez-vous que tous les opérateurs ont été formés à l'utilisation sûre et correcte de l'appareil.

S'assurer que le produit alimentaire a été chauffé à une température adaptée au maintien de sa salubrité avant de le mettre dans l'appareil sous peine de risques graves pour la santé. Cet appareil est destiné au maintien au chaud de produits alimentaires préchauffés uniquement.

Pour l'installation avec des chaînes, assurez-vous que les chaînes sont suffisamment résistantes et qu'elles sont solidement fixées à la fois sur le réchauffeur de bande et sur l'espace de montage. Des chaînes mal installées peuvent entraîner le relâchement et la chute du réchauffeur. Ne rien placer sur des réchauffeurs installés avec des chaînes.

## ⚠ ATTENTION

**DANGER DE BRÛLURE :** Certaines surfaces extérieures de l'appareil deviennent chaudes. Toucher ces zones de l'appareil avec précaution.

Les graisses standards et approuvées utilisées lors de la fabrication peuvent provoquer des fumées au cours du démarrage initial pendant 30 minutes. Il s'agit d'un état temporaire. Utilisez l'appareil sans produit alimentaire jusqu'à ce que la fumée disparaisse.

Les rampes chauffantes équipées de lumières incandescentes qui nécessitent un disjoncteur de plus de 20 ampères pour l'élément chauffant doivent avoir un disjoncteur séparé pour les lumières incandescentes de 20 ampères ou moins.

Assurez-vous que le fonctionnement est sûr et adapté. Référez-vous aux « Exigences d'espace minimum » indiquées dans la section Installation de ce manuel.

## AVIS

"L'installation de deux appareils ou plus avec moins de 3 po (76 mm) entre les boîtiers peut entraîner le défaut prématuré des composants. L'incapacité à fournir un espacement adapté peut entraîner des dommages causés par la chaleur aux composants électriques qui ne sont pas couverts par la garantie."

Les unités ne fonctionnent qu'à la tension spécifiée. Reportez-vous à l'étiquette des caractéristiques des exigences électriques avant de commencer l'installation.

Ne masquez pas une rampe chauffante montée sur un passe-plat avec une sous-face décorative. Une température excessive peut entraîner une panne de l'unité.



**AVIS**

Pour éviter une défaillance prématurée des composants due à une chaleur excessive, les interrupteurs de commande à distance doivent être installés à l'extérieur de la zone de chaleur des rampes chauffantes.

Les dommages pouvant être causés au dessus de comptoir par l'équipement de Hatco ne sont pas couverts par la garantie de Hatco. Contactez le fabricant du comptoir pour les informations concernant l'application.

**AVIS**

Utilisez seulement des nettoyants non abrasifs et des chiffons doux. Les chiffons et nettoyant abrasifs pourraient érafler la finition de l'unité, entachant son apparence et la rendant susceptible à l'accumulation de saleté.

**DESCRIPTION DU MODÈLE****Tous les Modèles**

Les rampes chauffantes à infrarouge Glo-Ray® de Hatco gardent les aliments chauds à des températures de service optimales plus longtemps. Les aliments ne se dessèchent et ne se décolorent pas ; même les plats les plus délicats donnent l'impression de tout juste sortir du fourneau. Le profil de chaleur pré-focalisé de Glo-Ray dirige la chaleur émise par un élément tubulaire afin qu'elle baigne entièrement la surface de service.

Les rampes chauffantes Glo-Ray peuvent être commandées en configuration « puissance standard » ou « haute puissance », avec des boîtiers en aluminium de 18" à 144" (457 à 3 658 mm) de long, des boîtiers en acier inoxydable de 24" à 996" (610 à 2 438 mm) de long, ou des boîtiers de style étroit en acier inoxydable de 18" à 72" (457 à 1 829 mm) de long.

Toutes les rampes chauffantes bénéficient de plusieurs options de montage et d'emplacement de l'interrupteur. Des interrupteurs de commande en continu, des boîtiers de commande à distance, l'éclairage à incandescence, et des pare-haleine sont également proposés en option.

**Modèles GR-XX, GRL-XX, GRH-XX, et GRHL-XX**

Les modèles en acier inoxydable sont disponibles avec ou sans les lampes à incandescence.

*NOTA: Les rampes chauffantes en acier inoxydable ne peuvent pas être munies de pare-haleine et ne peuvent pas être installées en double.*

**Modèles GRA-XX, GRAH-XX, GRAL-XX, et GRAHL-XX**

Les modèles à élément chauffant unique et à boîtier en aluminium sont disponibles avec ou sans lampe à incandescence.

**Modèles GRA-XXD, GRAH-XXD, GRAL-XXD, et GRAHL-XXD**

Les modèles doubles permettent d'installer côte à côte deux rampes ou davantage afin de chauffer une surface de service plus large (les modèles doubles sont construits avec l'entretoise obligatoire de 3" [76 mm] ou 6" [152 mm] entre les éléments de chauffage).

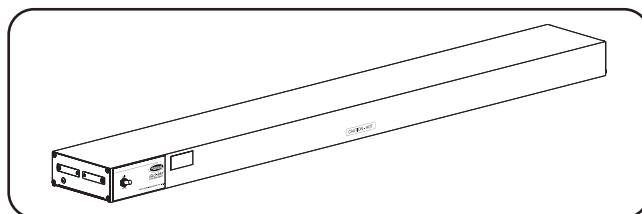
Les modèles doubles à boîtier en aluminium sont disponibles avec ou sans lampe à incandescence.

*NOTA: Ils ne peuvent pas être munis de lampes à incandescence ni de pare-haleine une fois sortis d'usine.*

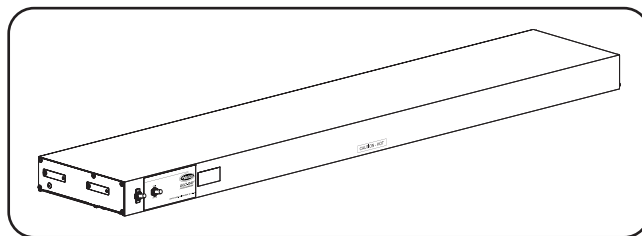
**Modèles GRN-XX et GRNH-XX**

Les modèles étroits sont disponibles en acier inoxydable, en acier enduit de poudre, ou en plusieurs couleurs Designer.

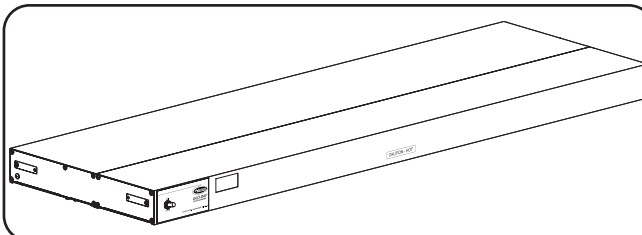
*NOTA: Les rampes chauffantes de type étroit ne sont pas disponibles avec des lampes ou des pare-haleine, et ne sont pas disponibles en unité double.*



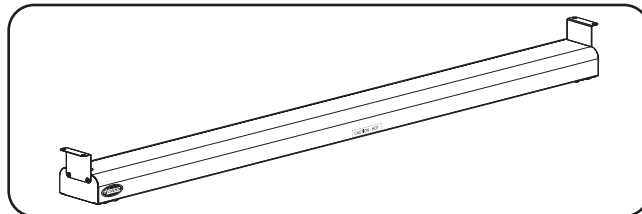
Modèle GRA-48



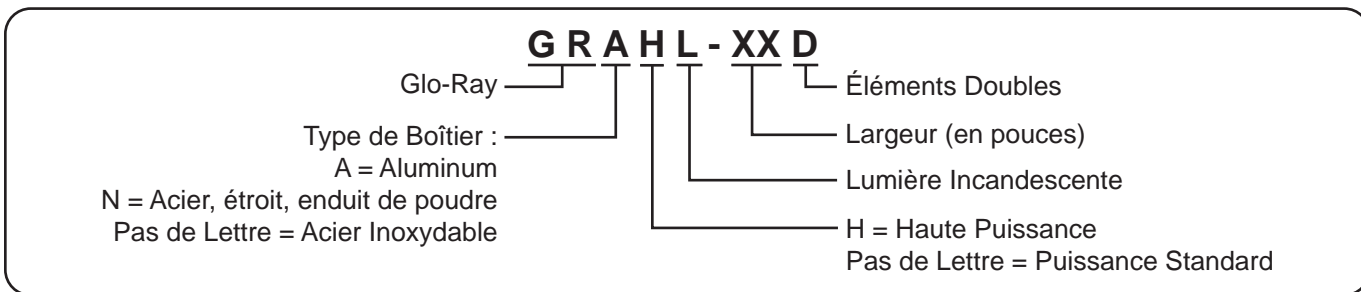
Modèle GRAHL-48



Modèle GRAL-48D



Modèle GRN-48



## CARACTÉRISTIQUES TECHNIQUES

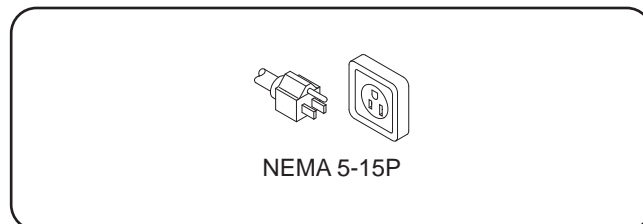
### Configuration des fiches

Un cordon de 6' (1 826 mm) et une fiche d'alimentation peuvent être installés en usine, en option, pour certaines unités. Ces unités doivent être des modèles de 120 V avec commande intégrée de 72" (1 829 mm) ou moins de long et montées avec un ensemble de chaînes standard, ou montées sur un pied en C ou en T.

NOTA: Le cordon et la fiche ne sont pas disponibles pour les unités munies d'éclairage.

### **⚠ AVERTISSEMENT**

**DANGER DE DÉCHARGE ÉLECTRIQUE:** Brancher l'appareil sur une prise de courant avec terre de tension, de format et de configuration des broches corrects. Si la fiche et la prise ne se correspondent pas, s'adresser à un électricien qualifié pour déterminer et installer une prise de courant de format et de tension corrects.



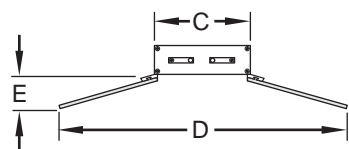
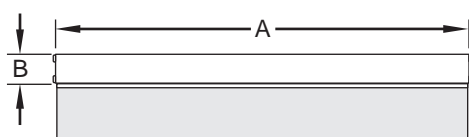
Configuration des fiches

NOTA: Prise non fournie par Hatco.

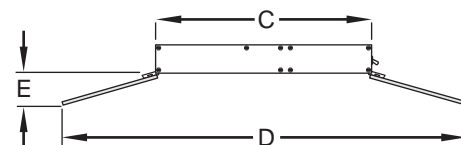
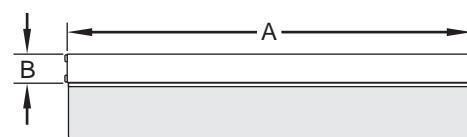
NOTA : Référez-vous au diagramme de câblage fourni avec l'appareil et à l'étiquette de spécification attachée à l'appareil pour obtenir des informations spécifiques concernant l'électricité. En outre, se référer à la "Electrical Rating Charts" document sur la page Rampes Chauffantes à Infrarouge sur la site Hatco ([www.hatcocorp.com](http://www.hatcocorp.com)).

Dimensions

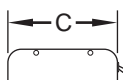
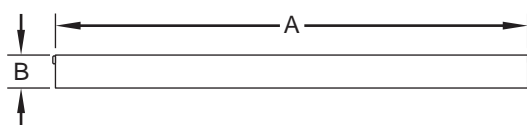
Modèle	Largeur (A)	Hauteur (B)	Profondeur (C)	Profondeur (D)	Hauteur (E)
GR et GRH	18"-96" (457-2438 mm)	2-1/2" (63 mm)	6" (152 mm)	---	---
GRA et GRAH	18"-144" (457-3658 mm)	2-1/2" (63 mm)	6" (152 mm)	23" (584 mm)	4" (102 mm)
GRAL et GRAHL	18"-144" (457-3658 mm)	2-1/2" (63 mm)	9" (229 mm)	26" (660 mm)	4" (102 mm)
GRL et GRHL	18"-72" (457-1829 mm)	2-1/2" (63 mm)	9" (229 mm)	26" (660 mm)	4" (102 mm)
GRA-XXD, GRAH-XXD, GRAL-XXD, et GRAHL-XXD	18"-144" (457-3658 mm)	2-1/2" (63 mm)	15" (381 mm)	32" (813 mm)	4" (102 mm)
GRN et GRNH	18"-72" (457-1829 mm)	2" (51 mm)	4" (102 mm)	---	---



Modèles à élément unique  
(présentés avec le pare-haleine facultatif)



Modèles à double élément  
(présentés avec le pare-haleine facultatif)



Modèles étroits

NOTA: Ajoutez 3" (76 mm) à la profondeur (C et D) si l'unité est configurée avec une entretoise optionnelle de 6" (152 mm).

NOTA: Ajoutez 8-1/2" (216 mm) à la profondeur (D) si l'unité est configurée avec le pare-haleine optionnelle de 14" (356 mm).

## Généralités

Utilisez les informations contenues dans cette section pour préparer et installer une rampe chauffante à infrarouge. Assurez-vous d'appliquer les informations spécifiques au type d'installation. Lors de l'expédition, la plupart des composants des rampes chauffantes à infrarouge sont pré-assemblés. Les unités doubles sont disponibles avec un espaceur nécessaire de 3" (76 mm) ou 6" (152 mm) pré-assemblé à l'usine.



### DANGER D'INCENDIE:

- **Positionnez l'unité à bonne distance des murs et matériaux combustibles. Si les distances de sécurité ne sont pas respectées, une décoloration ou combustion peut avoir lieu. Reportez-vous aux informations spécifiques d'installation et de montage de ce manuel pour connaître les dégagements adéquats.**
- **Assurez-vous de suivre les informations d'installation ci-dessous pour des rampes chauffantes spécifiques. Si les distances de sécurité ne sont pas respectées, une décoloration ou combustion peut avoir lieu.**
  - a. **N'installez pas de rampe chauffante de puissance standard (séries GR, GRA, GRN, GRAL) à moins de 10" (254 mm) au-dessus d'une surface combustible.**
  - b. **N'installez pas de rampes chauffantes à haute puissance (séries GRH, GRAH, GRNH, GRAHL) à moins de 13 1/2" (343 mm) au-dessus d'une surface combustible.**
  - c. **N'installez pas de doubles rampes chauffantes (séries GRA-XXD, GRAH-XXD, GRAL-XXD et GRAHL-XXD Séries) au-dessus d'une surface combustible.**
  - d. **Installez toutes les rampes chauffantes simples à une distance minimale de 3" (76 mm) par rapport aux murs ou surfaces adjacentes combustibles.**



Assurer un fonctionnement sûr et adapté. Référez-vous aux "Exigences d'approbation minimum" indiquées dans la section Installation de ce manuel.

## AVIS

**Ne masquez pas une rampe chauffante montée sur un passe-plat avec une sous-face décorative. Une température excessive peut entraîner une panne de l'unité.**

**Les dommages pouvant être causés au dessus de comptoir par l'équipement de Hatco ne sont pas couverts par la garantie de Hatco. Contactez le fabricant du comptoir pour les informations concernant l'application.**

*NOTA: Contactez le fabricant du matériel de base du comptoir pour des informations concernant l'application et les limites de température à la surface avant d'installer l'appareil.*

1. Retirez l'appareil du carton de livraison et retirez tous les éléments d'emballage.

*NOTA: Pour éviter des retards dans l'obtention de la couverture de la garantie, complétez l'enregistrement en ligne de votre garantie. Lisez la section INFORMATIONS IMPORTANTES POUR LE PROPRIETAIRE pour plus de détails.*

2. Retirez le ruban et l'emballage de protection de toutes les surfaces de l'appareil.

*NOTA: Si l'appareil dispose d'un équipement optionnel, lisez la section OPTIONS ET ACCESSOIRES de ce manuel.*

3. Installez/montez l'unité dans un endroit approprié.
  - a. Vérifiez que les hauteurs de montage recommandées et les dégagements minimaux exigés soient respectés pour le modèle approprié. Reportez-vous à « Hauteurs recommandées de montage » et « Dégagement minimal requis » dans cette section.
  - b. Pour l'installation d'une unité mobile, reportez-vous à « Installation d'unités mobiles » dans cette section.
  - c. Pour l'installation d'unités suspendues par chaînes, reportez-vous à « Installation d'unités suspendues par des chaînes » dans cette section.
  - d. Pour l'installation d'une unité permanente, reportez-vous à « Installation d'unités permanentes » dans cette section.

### Montage Double

Lorsque vous montez des appareils côte à côte, un espace de plus de 3" (76 mm) doit être maintenu entre les appareils. Les unités doubles commandés à l'usine sont expédiées avec un espaceur pré-assemblé de 3" (76 mm) ou de 6" (152 mm).

*NOTA: Les unités doubles ne sont disponibles qu'avec des boîtiers en aluminium.*

## AVIS

**L'installation de deux appareils ou plus avec moins de 3" (76 mm) entre les boîtiers peut entraîner la défaillance prématurée des composants. L'incapacité à fournir un espacement adapté peut résulter en des dommages aux composants électriques dus à la chaleur qui ne sont pas couverts par la garantie.**

### Montage sous une étagère

Lorsque vous montez une unité sous une étagère, utilisez des cornières pour assurer un espacement approprié. Les compartiments de contrôle à distance sont recommandés pour maintenir les interrupteurs en dehors de la zone de chaleur et pour éviter toute défaillance prématurée.

### Passage des Plats

Si la zone de passe-plat est profonde de 12" à 16" (305 mm à 406 mm), vous pouvez utiliser une unité simple de puissance standard ou de haute puissance. Pour une profondeur de zone de passe-plat de 20" à 24" (508 mm à 610 mm), nous vous recommandons d'utiliser une unité double de puissance standard ou de haute puissance. L'installation d'unités multiples requiert un espacement minimum de 3" (76 mm) entre les rampes chauffantes.

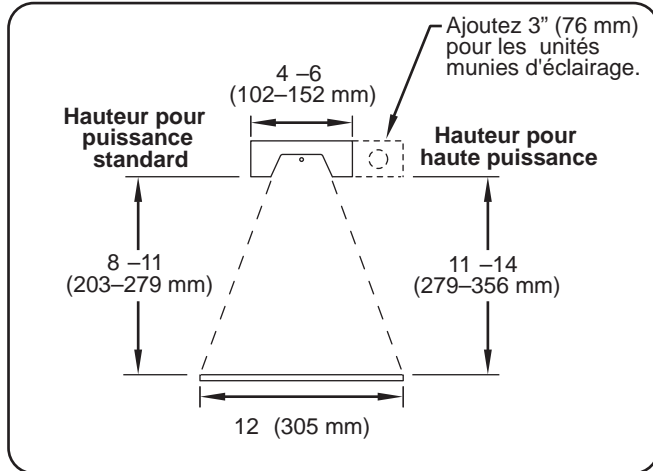
### Pieds en T ou en C

N'installez pas des unités de plus de 72" (1829 mm) de long sur des pieds en T ou en C.

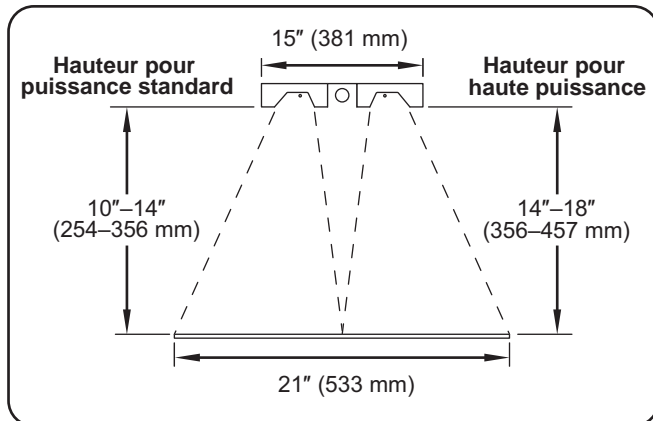
### Au-dessus d'un Tableau de Vapeur

Lors du montage au-dessus d'un tableau de vapeur, un compartiment de contrôle à distance doit être installé.

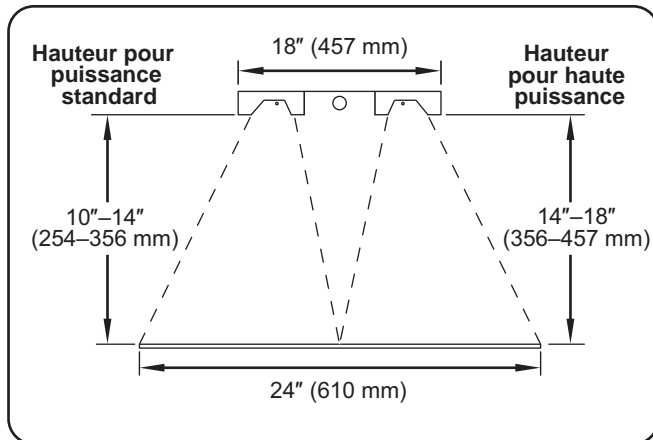
**Hauteurs recommandées pour le montage**



Hauteur d'élément recommandée pour les modèles GR, GRA, GRH, GRN, GRAH, GRAL, GRNH, et GRAHL de toute longueur (à l'exclusion des modèles doubles).



Hauteur d'élément recommandée pour les modèles doubles GRA-D, GRAH-D, GRAL-D et GRAHL-D de toute longueur avec une entretoise de 3 po (76 mm).

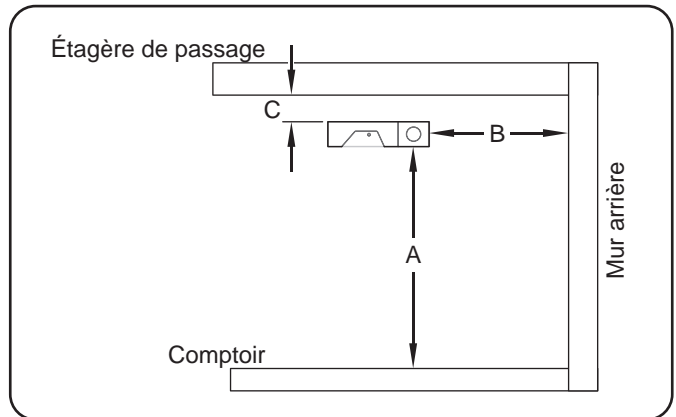


Hauteur d'élément recommandée pour les modèles doubles GRA-D, GRAH-D, GRAL-D et GRAHL-D de toute longueur avec une entretoise de 6 po (152 mm).

**Dégagement minimum exigé en cas d'environnement combustible**

Modèles	(A)	(B)	(C)
GRA et GRAL	10" (254 mm)	3" (76 mm)	1" (25 mm)
GRAH et GRAHL	343 mm (13-1/2")	3" (76 mm)	1" (25 mm)

NOTA: Les doubles rampes chauffantes ne peuvent pas être installées dans un environnement combustible.



Dégagements obligatoires vis-à-vis des matières combustibles  
NOTA: La taille de la zone de chauffe varie en fonction de la hauteur de l'unité.

## Dégagement minimum exigé en cas d'environnement non combustible

### Unités avec cordon et interrupteurs intégrés

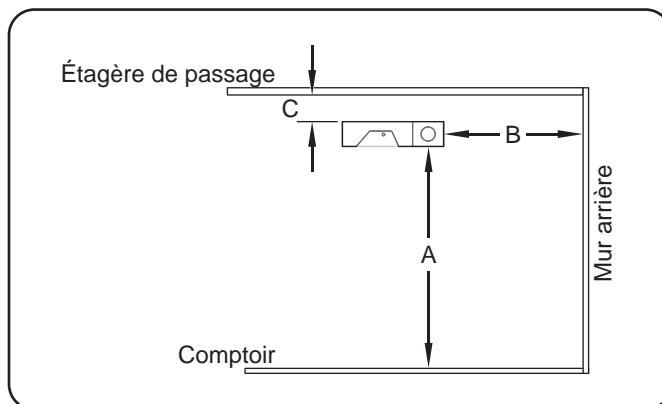
Modèles	(A)	(B)*	(C)
GRA et GRAL	10" (254 mm)	---	3" (76 mm)
GRAH et GRAHL	11" (279 mm)	---	3" (76 mm)

### Unités câblées avec interrupteurs intégrés

Modèles	(A)	(B)*	(C)
GRA et GRAL	8" (203 mm)	---	1" (25 mm)
GRAH et GRAHL Avec la chaleur infinie de contrôle ou de l'indicateur Lumière	10" (254 mm)	---	1" (25 mm)
GRAH et GRAHL Avec ON/OFF interrupteur à bascule	8" (203 mm)	---	1" (25 mm)

### Unités câblées avec interrupteurs à distance

Modèles	(A)	(B)*	(C)
GRA et GRAL	8" (203 mm)	0" (0 mm)	0" (0 mm)
GRAH et GRAHL	8" (203 mm)	0" (0 mm)	0" (0 mm)



Dégagements obligatoires vis-à-vis des matières non combustibles

### Unités doubles avec interrupteurs intégrés

Modèles	(A)	(B)*	(C)
GRA-XXD GRAH-XXD GRAL-XXD GRAHL-XXD	10" (254 mm)	---	1" (25 mm)

### Unités doubles avec interrupteurs à distance

Modèles	(A)	(B)*	(C)
GRA-XXD GRAH-XXD GRAL-XXD GRAHL-XXD	8" (203 mm)	3" (76 mm)	0" (0 mm)

\* Doit être une application de passe-plat, non autorisée avec les installations adossées à un mur.



### Installation d'unités mobiles

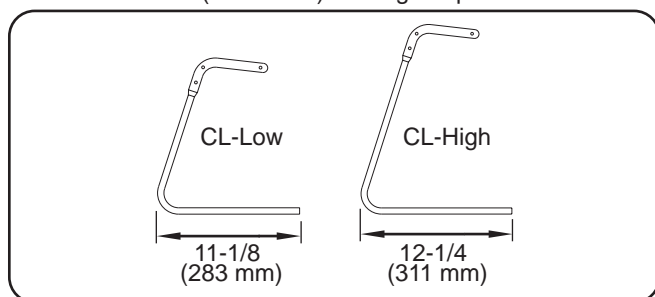
Les unités chauffantes simples de moins de 72" (1829 mm) de longueur peuvent être montées sur un pied en C ou en T pour une utilisation mobile. Les unités mobiles sont disponibles en 120 V uniquement et doivent avoir un cordon d'alimentation et une fiche.

*NOTA: Les pieds en C ou en T ne doivent pas être utilisés avec les unités à double rampe chauffante.*

### Installation sur un pied en C

Deux types de pieds en C sont disponibles.

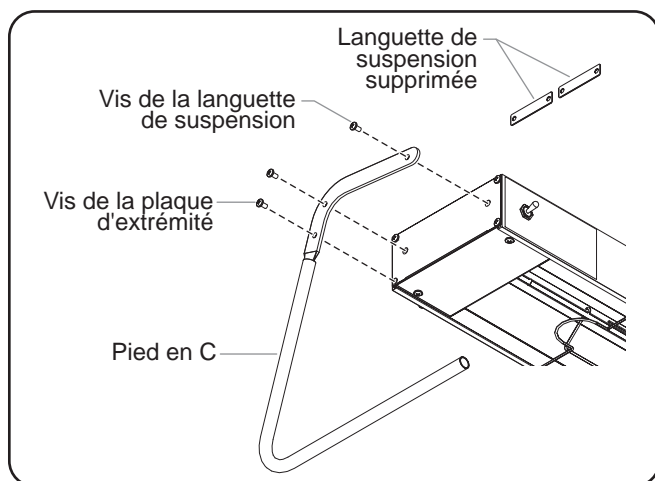
- CL-Low = 10" (254 mm) de hauteur, pour les rampes chauffantes de puissance standard allant jusqu'à 5" (1 524 mm) de long uniquement.
- CL-High = 13 1/2" (343 mm) de hauteur, pour les rampes chauffantes de haute puissance allant jusqu'à 5" (1 524 mm) de long uniquement.



Dimensions de l'empreinte d'un pied en C

Suivez la procédure suivante pour installer un pied en C à chaque extrémité de l'unité.

1. Positionnez l'unité à l'envers sur une surface plane.
2. Installez le(s) pare-haleine, le cas échéant (voir la section OPTIONS ET ACCESSOIRES pour plus de détails sur l'installation d'un pare-haleine).
3. Retirez les deux vis des languettes de suspension et les languettes de suspension.
4. Retirez la vis de la plaque d'extrémité qui s'aligne avec le trou de montage le plus bas sur le pied en C.
5. Alignez les trois trous de montage du pied en C avec les trois trous sur l'unité. Fixez le pied à l'unité avec les trois vis retirées lors des étapes précédentes.

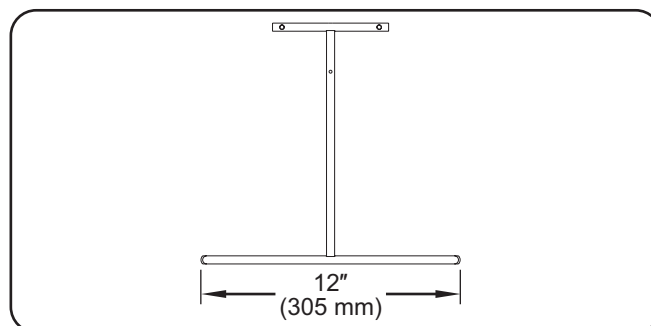


Pied en C

### Installation sur un pied en T

Les pieds en T sont disponibles avec les hauteurs suivantes :

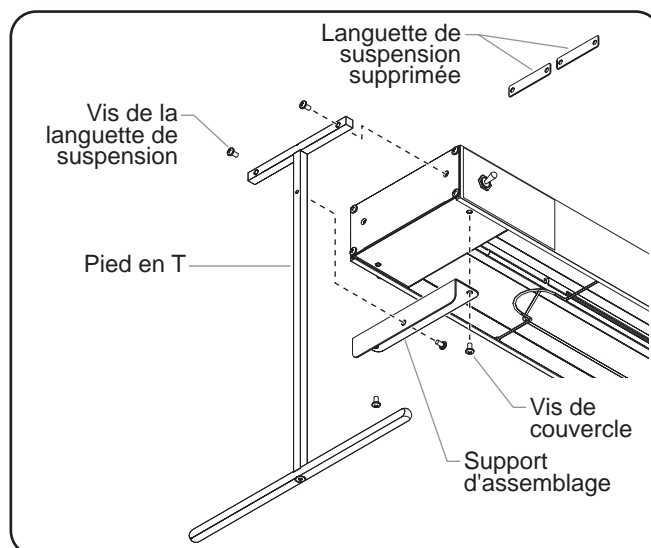
- Unités de puissance standard = 10" (254 mm)
- Unités de forte puissance = 13-1/2" (343 mm)  
16" (406 mm)  
18" (457 mm).



Dimensions de l'empreinte d'un pied en T

Suivez la procédure suivante pour installer un pied en T à chaque extrémité de l'unité.

1. Positionnez l'unité à l'envers sur une surface plane.
2. Installez le(s) pare-haleine, le cas échéant (voir la section OPTIONS ET ACCESSOIRES pour plus de détails sur l'installation d'un pare-haleine).
3. Alignez le support de montage avec le couvercle d'extrémité sur la face inférieure de l'unité et ôtez de la plaque d'extrémité les deux vis qui correspondent aux trous sur le support de montage.
4. Fixez le support à l'unité avec les deux vis de la plaque d'extrémité.
5. Retirez les deux vis des languettes de suspension et les languettes de suspension.
6. Alignez les deux trous de montage sur le petit « T » du pied en T avec les deux trous des languettes de suspension à l'extrémité de l'unité. Fixez le pied à l'unité avec les vis des languettes de suspension.
7. Alignez le trou de montage unique sur le montant vertical du pied en T avec le trou sur le support de montage. Vissez de l'intérieur avec les vis fournies.



Montage du pied en T à l'extrémité de la rampe

## Installation d'unités suspendues à des chaînes

La suspension par des chaînes fixe l'unité à un point d'attache plus élevé en utilisant des crochets en S. Les unités suspendues à des crochets en S sont disponibles uniquement en 120 V et doivent avoir un cordon d'alimentation et une fiche.

*NOTA: Les appareils commandés avec l'option crochet en "S" sont livrés avec deux crochets en "S" et deux chaînes de 6" (152 mm) de longueur. Une chaîne supplémentaire (P/N 05.03.020.00) peut être commandée auprès d'Hatco pour le système de montage du dessus, ou une autre option peut être déterminée par un installateur qualifié.*

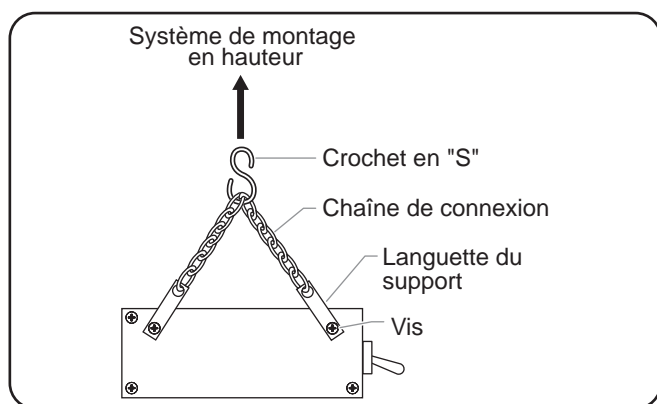
### ⚠ AVERTISSEMENT

**Pour l'installation avec des chaînes, assurez-vous que les chaînes sont suffisamment résistantes et qu'elles sont solidement fixées à la fois sur l'appareil et sur le support de montage. Des chaînes mal installées peuvent entraîner le relâchement et la chute du réchauffeur. Ne rien placer sur le dessus des réchauffeurs installés avec des chaînes.**

**Assurer un fonctionnement sûr et adapté. Référez-vous aux "Exigences d'approbation minimum" indiquées dans la section Installation de ce manuel.**

*NOTA: La résistance de la chaîne fournie par Hatco est suffisante pour retenir le poids de l'unité de manière sûre, uniquement pour un montage adapté.*

1. Préparez le système de montage supérieur pour les crochets en "S". Assurez-vous que le système est sécurisé et est installé de manière à ce que l'appareil soit suspendu à un niveau et à une distance sécurisée et adaptée des murs, du comptoir et des aliments.
2. Desserrez, mais ne retirez pas les vis sécurisant les languettes de support à chaque extrémité de l'appareil. Faites pivoter les languettes vers le haut, puis resserrez solidement les vis.
3. Attachez solidement une des chaînes de connexion de 6" (152 mm) entre chaque paire de languettes de support.
4. Attachez un crochet en "S" au centre de chaque chaîne de connexion.
5. Levez l'appareil avec précaution et attachez les crochets en "S" à chaque extrémité de l'appareil au système de montage supérieur. Assurez-vous que l'appareil est à niveau.



Montage du crochet en "S"

## Installation d'unités permanentes

Les unités chauffantes peuvent être montées de façon permanente en utilisant des pieds tubulaires ou des cornières. Les unités permanentes ne sont pas disponibles avec un cordon d'alimentation et une fiche. Reportez-vous à la section appropriée sur le montage permanent pour connaître la procédure d'installation.

### Montage du support tubulaire

Les pieds tubulaires fixent définitivement l'unité à un comptoir ou une table de service. Tout le câblage peut être dissimulé dans un des pieds tubulaires.

### ⚠ ATTENTION

**Assurer un fonctionnement sûr et adapté. Référez-vous aux "Exigences d'approbation minimum" indiquées dans la section Installation de ce manuel.**

Les pieds tubulaires non réglables sont disponibles en aluminium, en couleurs Designer ou avec une finition brillante, et avec une hauteur de 10" à 16" (254 à 406 mm). Les pieds tubulaires réglables sont disponibles en acier inoxydable avec une hauteur de 10" à 14" (254 à 356 mm).

*NOTA: Les supports tubulaires ne peuvent pas être mis à niveau dans la zone.*

*NOTA: Si le câblage doit être dissimulé, un trou de 1 po (25 mm) de diamètre devra être créé dans la surface de montage et centré sous le pied contenant le conduit de câblage.*

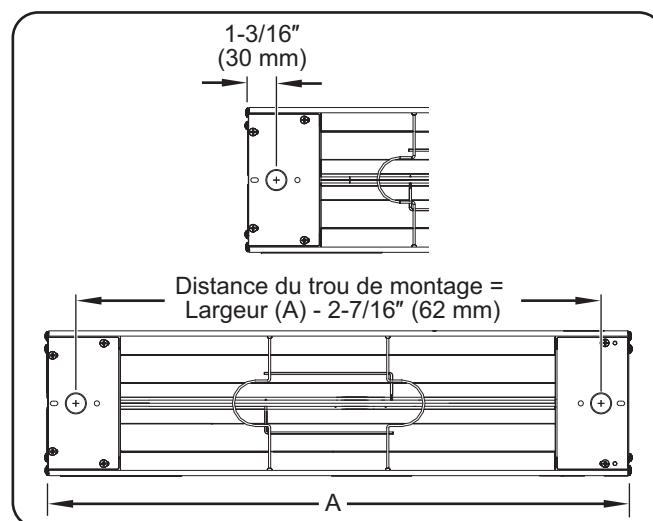
1. Positionnez l'appareil à l'envers sur une surface plate.

*NOTA: Les unités pour cette application sont fournis avec la conduite attachée à un des côtés de l'appareil. La conduite ne doit pas être retirée.*

2. Le cas échéant, préparez la surface de montage pour la dissimulation des câbles.
  - a. Percez un trou de 1" (25 mm) de diamètre dans la surface de montage à l'endroit approprié.

*NOTA: La distance entre le centre des deux pieds est obtenue en soustrayant 2 7/16" (62 mm) de la largeur totale de la rampe chauffante.*

- b. Faites passer le conduit flexible dans le pied tubulaire et dans la surface de montage.

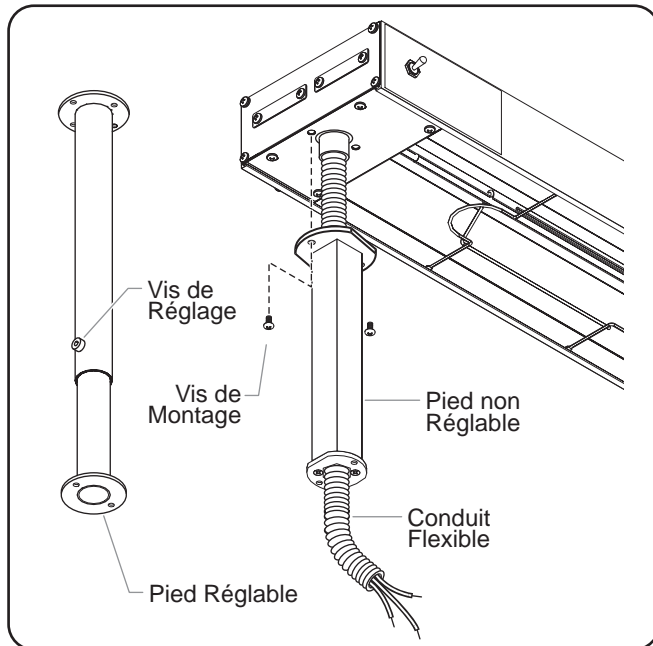


Dimension du trou pour le conduit

3. Fixez le pied qui contient la conduite à l'unité grâce aux vis fournies.
4. Alignez le pied du côté opposé avec les trous de montage à l'autre extrémité de l'unité et fixez-le avec les vis fournies.
5. Fixez les pieds à la surface de montage.

**NOTA:** Les pieds réglables peuvent être élevés ou abaissés en tournant d'un tour la vis de blocage dans le sens antihoraire avec une clé Allen. Après avoir desserré la vis de réglage, ajustez la hauteur de l'unité à la hauteur désirée et resserrez la vis. Ne desserrez pas la vis plus que nécessaire.

**NOTA:** Deux paires de supports tubulaires seront nécessaires pour monter les unités doubles.



Montage du support tubulaire

### Montage de la cornière

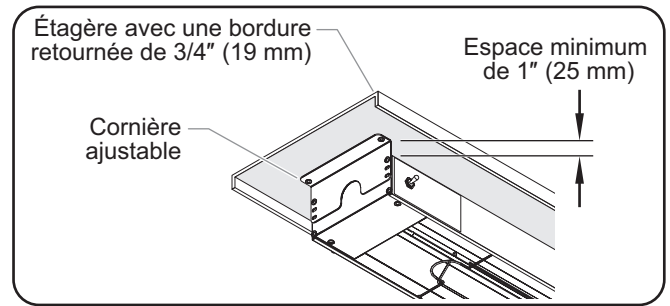
Le montage d'une rampe chauffante avec des cornières réglables fixe de manière permanente l'appareil sur le côté inférieur d'un plateau. Les appareils peuvent être montés sur un plateau plat ou sur un plateau avec des bordures enroulées ou retournées. Les cornières réglables fournissent l'espace nécessaire entre l'appareil et un plateau combustible.



**Assurer un fonctionnement sûr et adapté. Référez-vous aux "Exigences d'approbation minimum" indiquées dans la section Installation de ce manuel.**

**NOTA:** Lors du montage de l'unité sous une étagère, il est recommandé d'utiliser des interrupteurs de commande à distance.

Utilisez les cornières de réglage (en option) pour monter l'unité sous la partie la plus basse de la bordure d'étagère enroulée ou retournée (un espace minimum de 1" (25 mm) est nécessaire entre l'unité et le dessous d'une étagère enroulée ou retournée pour éviter que la chaleur n'endommage le système électrique de l'unité).



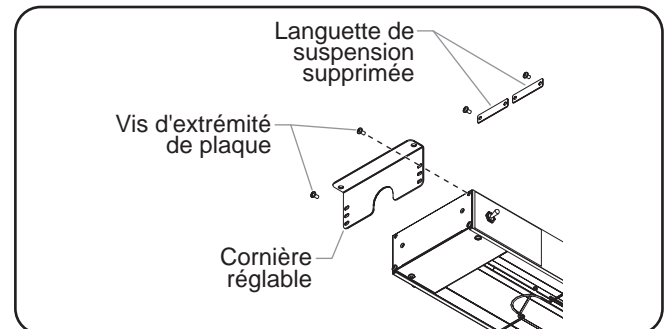
Installation d'une étagère à bordure retournée

**NOTA:** Les unités de série GRN sont fournies avec des cornières de couleur Designer appariée qui assurent un dégagement de 1-1/2" (38 mm) entre la rampe chauffante et l'étagère.

### Montage avec cornières réglable sur les modèles en aluminium

Utilisez la procédure suivante pour installer des cornières réglables à chaque extrémité des modèles à boîtier en aluminium (GRA, GRAH, GRAL, et GRAHL).

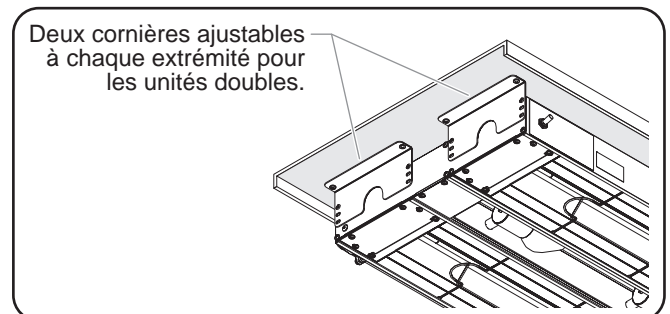
1. Positionnez l'unité sur une surface plate, les éléments chauffants face au sol.
2. Retirez les deux vis des languettes de suspension et les languettes de suspension. Ces éléments ne seront pas nécessaires.
3. Retirez les deux vis de la plaque de l'extrémité supérieure.
4. Alignez les cornières ajustables aux trous de montage de la plaque de l'extrémité de l'appareil. Sécurisez la cornière avec les vis retirées précédemment de la plaque de l'extrémité.



Installation des cornières réglables pour modèle en aluminium

5. Fixez la cornière sous l'étagère en utilisant les fixations adaptées (non fournies par Hatco).

**NOTA:** Deux paires de supports seront nécessaires pour les unités doubles.

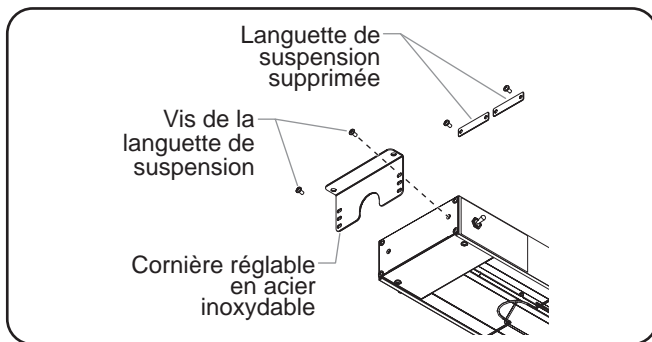


Montage des unités doubles

## Montage avec cornières réglables sur les modèles en acier inoxydable

Utilisez la procédure suivante pour installer les cornières réglables à chaque extrémité du boîtier en acier inoxydable pour les modèles concernés (GR et GRH).

1. Positionnez l'unité sur une surface plane, l'élément chauffant face au sol.
2. Retirez les deux vis des languettes de suspension et les languettes de suspension.
3. Alignez la cornière réglable avec les trous de montage de la languette de suspension sur l'unité.
4. Fixez la cornière avec les vis de la languette retirées précédemment.
5. Fixez la cornière sous l'étagère en utilisant les fixations adaptées (non fournies par Hatco).



Installation de la cornière réglable pour modèle en acier inoxydable

## Informations sur le câblage électrique

Référez-vous au diagramme de câblage fourni avec l'appareil et à l'étiquette de spécification attachée à l'appareil pour obtenir des informations spécifiques concernant l'électricité. En outre, se référer à la "Electrical Rating Charts" document sur la page Rampes Chauffantes à Infrarouge sur la site Hatco ([www.hatcocorp.com](http://www.hatcocorp.com)).

### **AVERTISSEMENT**

**DANGER DE DÉCHARGE ÉLECTRIQUE: Pour les appareils câblés, toutes les connexions électriques doivent être conformes aux codes électriques locaux et à tous les autres codes applicables. Les connexions doivent être effectuées par un électricien qualifié et agréé.**

*NOTA: Si l'appareil à installer n'apparaît pas dans ce manuel, référez-vous au diagramme de câblage fourni avec l'appareil et les informations d'installation de l'appareil pour plus d'instructions.*

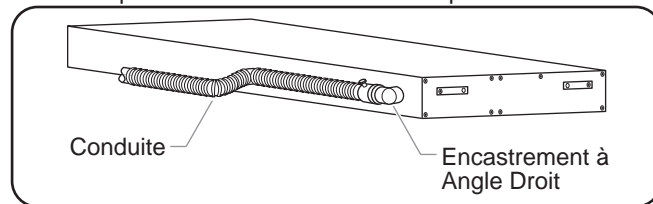
## Alimentation électrique

Installez un câble d'alimentation et des connecteurs adaptés pour une température d'au moins 194°F (90°C).

- Utilisez au minimum un câble en cuivre n°14 AWG pour les circuits individuels allant jusqu'à 15 ampères.
- Utilisez au minimum un câble en cuivre n°12 AWG pour les circuits individuels allant de 15 à 20 ampères.
- Utilisez au minimum un câble en cuivre n°10 AWG pour les circuits individuels allant de 20 à 25 ampères.
- Utilisez au minimum un câble en cuivre n°8 AWG pour les circuits individuels allant de 25 à 30 ampères.

## Connexion de la conduite

Les connexions des appareils fournis avec une conduite correspondant au bon angle et flexible ont toutes été réalisées à l'usine. Raccorder à la bonne alimentation électrique mène à de hautes températures dans les câbles électriques dans la conduite.



Connexion de la conduite

*NOTA: Référez-vous au diagramme de câblage fourni avec l'appareil et à l'étiquette de spécification attachée à l'appareil pour obtenir des informations spécifiques concernant l'électricité.*

## Modèles à cordon d'alimentation et fiches électriques

Les unités peuvent être livrées munies d'un cordon d'alimentation de 72" (1 829 mm) et d'une fiche installée à l'usine si l'appareil est conforme aux directives suivantes :

- Unité de 120 volts
- Élément chauffant unique
- Longueur de 72" (1 829 mm) ou moins
- Interrupteur intégré
- Montage mobile utilisant les pieds en C ou en T fournis par Hatco, ou montage fixe utilisant les crochets en S et les chaînes de montage fournis par Hatco.

*NOTA: Les unités destinées à une installation fixe ou permanente ne peuvent pas être munies d'un cordon d'alimentation et doivent être câblées selon les codes électriques locaux et nationaux.*

## Compartiments de contrôle à distance

Les compartiments de contrôle à distance d'Hatco comportent des interrupteurs, des câbles électriques et/ou des indicateurs lumineux qui sont prêts pour l'installation.

La série RMB nécessite un compartiment de contrôle à distance par réchauffeur de bande. La série RMB2 permet à plusieurs réchauffeurs de bande d'être connectés à un compartiment de contrôle à distance.

*NOTA: Des boîtiers de commande à distance sont disponibles en plusieurs configurations selon le modèle. Tous les boîtiers sont construits conformément aux normes UL pour accueillir les interrupteurs, les voyants et le câblage. Reportez-vous à la section OPTIONS ET ACCESSOIRES vers la fin de ce manuel pour plus d'informations.*

## Interrupteurs de commande à distance installés

Les interrupteurs de commande à distance, en option, incluent les interrupteurs MARCHE/ARRÊT et les interrupteurs de commande en continu. Ces interrupteurs doivent être installés par un électricien qualifié dans une boîte/un boîtier électrique approuvé (non fourni).

*NOTA: Lorsque deux appareils ou plus sont montés là où la chaleur d'un boîtier tend à augmenter la température d'un autre, les interrupteurs de contrôle doivent être installés dans un compartiment de contrôle à distance. Les appareils dans une installation multiple doivent utiliser des compartiments de contrôle à distance.*



## Généralités

Les rampes chauffantes à infrarouge Glo-Ray® sont conçues pour une utilisation facile. Utilisez les informations et les procédures suivantes pour faire fonctionner l'appareil.

### ⚠ AVERTISSEMENT

Lire tous les messages de sécurité de la section Consignes de sécurité importantes avant d'utiliser ce matériel.

### ⚠ ATTENTION

**DANGER DE BRÛLURE :** Certaines surfaces extérieures de l'appareil deviennent chaudes. Toucher ces zones de l'appareil avec précaution.

## Contrôles

Les rampes chauffantes sont livrées standard avec des commandes montées sur l'unité, ou avec des commandes à distance en option. Vous trouverez ci-dessous la liste des commandes disponibles pour les rampes chauffantes.

**Interrupteur à bascule ON/OFF (I/O)**—Allume et éteint les éléments chauffants et/ou les lumières.

**Contrôle infini**—Coupe l'alimentation et contrôle la température des éléments chauffants. La commande en continu est disponible soit intégrée, soit dans un boîtier de commande à distance.

*NOTA: Les unités doubles ne peuvent pas être équipées de commandes en continu intégrées.*

**Interrupteur à bascule marche/arrêt de l'éclairage**—Allume ou éteint les lumières.

**Indicateur lumineux**—Éclaire lorsque le courant est allumé, éteint lorsque le courant est éteint.

*NOTA: Les interrupteurs à levier ne peuvent pas être utilisés sur des circuits qui dépassent 15 ampères. La commande en continu ne peut pas être utilisée sur des circuits qui dépassent 12,2 ampères.*

## Démarrage

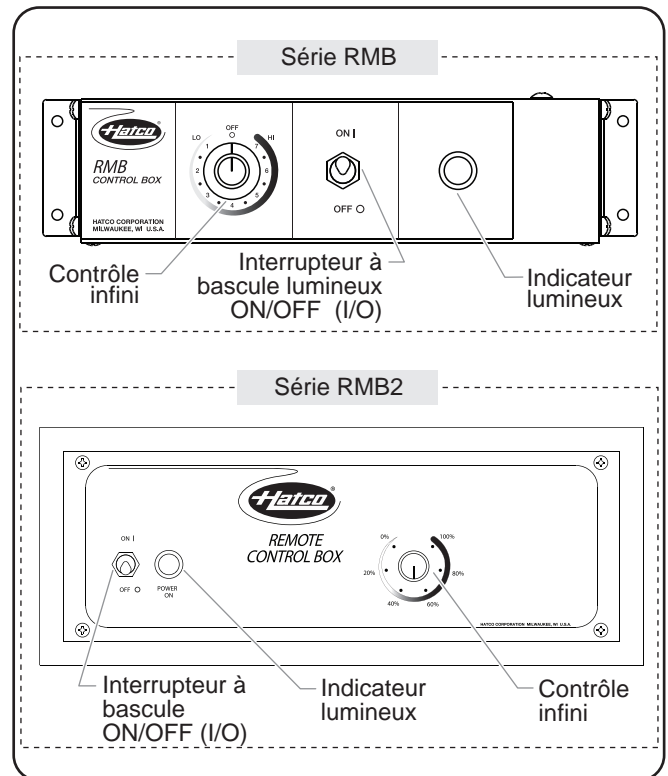
- Allumez l'élément chauffant (ou les éléments chauffants). L'indicateur lumineux (si l'unité est en équipée) s'éclairera, et les éléments chauffants seront alimentés.
  - Si l'unité est équipée d'un interrupteur à bascule MARCHE/ARRÊT (I/O), placez-le en position MARCHE (I).
  - Si l'unité est équipée de commande(s) en continu (en option), tournez la commande sur le réglage désiré.

*NOTA: Atteindre la température de fonctionnement demande 15-20 minutes.*

- Sur les modèles équipés d'éclairage, placez l'interrupteur à bascule MARCHE/ARRÊT de l'éclairage en position MARCHE (I).



Panneau de configuration avec interrupteur à bascule MARCHE/ARRÊT (I/O)



Compartiments de contrôle à distance

*NOTA: Référez-vous à la section OPTIONS ET ACCESSOIRES pour des informations sur les compartiments de contrôle à distance.*

## Arrêt

- Placez l'interrupteur à bascule ON/OFF (I/O) sur la position OFF (O) et/ou placez le(s) contrôle(s) infini(s) sur la position OFF (O).
  - L'indicateur lumineux (s'il est équipé) s'éteindra, et les éléments chauffants s'éteindront.
- Pour des appareils avec des lumières d'affichage, placez l'interrupteur à bascule lumineux ON/OFF (I/O) sur la position OFF(O).

## Généralités

Les rampes chauffantes à infrarouge Glo-Ray sont conçues pour une durabilité et des performances maximum, avec un entretien minimum.

### **⚠ AVERTISSEMENT**

#### DANGER DE DÉCHARGE ÉLECTRIQUE :

- Tournez le interrupteur sur « ARRÊT » pour éteindre la rampe, débranchez le cordon d'alimentation/coupez le courant au disjoncteur et laissez refroidir l'unité avant d'effectuer toute opération de nettoyage, de réglage ou d'entretien.
- **NE PAS immerger l'appareil ni le saturer d'eau.** L'appareil n'est pas étanche à l'eau. Ne pas le faire fonctionner s'il a été immergé ou saturé d'eau.
- Ne pas nettoyer à la vapeur ni utiliser trop d'eau sur l'appareil.
- Cet appareil n'est pas étanche aux jets. Ne pas utiliser de jet sous pression pour nettoyer l'appareil.
- Utilisez uniquement des pièces de rechange d'origine Hatco lorsque l'entretien est nécessaire. Utilisez des pièces détachées Hatco authentiques sous peine d'annuler toutes les garanties et d'exposer l'utilisateur à des tensions électriques dangereuses pouvant entraîner une électrocution ou des brûlures. Les pièces de rechange authentiques Hatco sont spécifiées pour fonctionner en toute sécurité dans les environnements dans lesquels elles sont utilisées. Certaines pièces de rechange génériques ou d'après-vente n'ont pas les caractéristiques qui leur permettent d'opérer en toute sécurité dans les équipements Hatco.

Cet appareil ne contient aucune pièce réparable par l'utilisateur. Si cet appareil doit être réparé, contacter un réparateur Hatco agréé ou le Service après-vente Hatco au 800-558-0607 ou 414-671-6350 ; télécopieur 800-690-2966; télécopieur internationale 414-671-3976.

## Nettoyage

Pour préserver la finition de la rampe chauffante à infrarouge Glo-Ray, effectuez la procédure de nettoyage suivante quotidiennement.

### **AVIS**

Utilisez seulement des nettoyeurs non abrasifs et des chiffons doux. Les chiffons et nettoyeur abrasifs pourraient érafler la finition de l'unité, entachant son apparence et la rendant susceptible à l'accumulation de saleté.

1. Éteindre l'appareil, débrancher le cordon d'alimentation et laisser refroidir l'appareil.
2. Essayez toutes les surfaces métalliques avec un tissu doux humide. Les taches tenaces s'enlèvent avec un bon nettoyeur non abrasif. Nettoyer les zones difficiles d'accès avec une petite brosse et du savon doux.
3. Essayez l'intégralité de l'unité en utilisant un chiffon doux et sec.

## Remplacement du tube d'éclairage

### **⚠ AVERTISSEMENT**

N'utiliser que des ampoules électriques qui correspondent ou qui surpassent les standards de la Fondation Nationale des Affaires Sanitaires (NSF) et qui sont spécifiquement conçues pour les espaces de conservation des aliments. La casse d'ampoules électriques non enduites de manière spécifique pourrait entraîner des lésions corporelles et/ou une contamination des aliments.

La lumière de la vitrine est assurée par une ampoule à incandescence ou à halogène, en option, qui éclaire l'espace de chauffage. Cette ampoule a un enduit spécial pour éviter toute blessure et toute contamination des éléments en cas de casse.

Pour remplacer une ampoule lumineuse :

1. Déconnectez l'alimentation électrique et attendez que l'appareil soit refroidi.
2. Dévissez l'ampoule d'éclairage de l'appareil et remplacez-la par une nouvelle ampoule à incandescence ou à halogène, en option, spécialement enduite.

*NOTA: Les ampoules lumineuses résistantes aux chocs d'Hatco répondent aux standards de la NSF pour la conservation de la nourriture et des zones d'étalage. Pour les applications 120, 120/208, 120/240, et 100/200 volts, utilisez P/N 02.30.043.00 d'Hatco. Pour les applications 200, 220, 230, et 240 volts, utilisez P/N 02.30.058.00 d'Hatco.*

*NOTA: Les ampoules halogènes sont disponibles en option. Pour les applications 120, 120/208, 120/240, et 100/200 volts, utilisez les pièces numéro 02.30.081.00 d'Hatco. Pour les applications 200, 220, 230, et 240 volts, utilisez P/N 02.30.082.00 d'Hatco.*



**⚠ AVERTISSEMENT**

La réparation de cet appareil doit être confiée exclusivement à du personnel qualifié. Les réparations par des personnes non qualifiées peuvent provoquer des décharges électriques et des brûlures.

**⚠ AVERTISSEMENT**

Tournez le interrupteur sur « ARRÊT » pour éteindre la rampe, débranchez le cordon d'alimentation/coupez le courant au disjoncteur et laissez refroidir l'unité avant d'effectuer toute opération de nettoyage, de réglage ou d'entretien.

Symptômes	Causes Probables	Action Correctrice
L'appareil est sur ON, mais il n'y a pas de chaleur.	Pas d'alimentation au niveau de l'appareil.	Vérifiez le disjoncteur et redémarrez si nécessaire.
	L'interrupteur est défectueux.	Contactez votre agent de maintenance agréé ou Hatco.
	Le câblage est ouvert.	Contactez votre agent de maintenance agréé ou Hatco.
	Élément chauffant défectueux.	Contactez votre agent de maintenance agréé ou Hatco.
La chaleur est inadaptée.	L'appareil est monté trop haut par rapport à la zone cible.	Baissez l'appareil, permettant de cibler plus efficacement la chaleur.
	Mouvement d'air excessif autour de la zone cible du réchauffeur de bande.	Restreignez ou redirigez le mouvement de l'air (conduit d'air conditionné ou ventilateur) à distance de l'appareil.
	Alimentation électrique incorrecte (basse).	Vérifiez l'alimentation électrique de l'appareil, assurez-vous qu'il corresponde aux valeurs sur l'appareil. Si l'alimentation électrique est incorrecte, changez pour correspondre aux valeurs sur l'appareil.
La chaleur est excessive.	L'appareil est monté trop près de la zone cible.	Vérifiez pour vérifier que l'installation est conforme aux spécifications pour le type/modèle Augmentez la hauteur du montage s'il est trop proche.
	La tension est trop élevée.	Vérifiez l'alimentation électrique de l'appareil, assurez-vous qu'il corresponde aux valeurs sur l'appareil. Si l'alimentation électrique est incorrecte, changez pour correspondre aux valeurs.
Les interrupteurs de commande ont grillé.	L'unité n'a pas été installée correctement.	Déplacez l'unité à bonne distance des murs, comptoirs, et/ou étagères de passe-plat. Reportez-vous à la section INSTALLATION pour obtenir des directives.
	Le boîtier de commande à distance est installé trop près de la zone de chauffe.	Éloignez le boîtier de commande de la zone de chauffe.
	Les interrupteurs utilisés ne sont pas fournis par Hatco.	Les pièces authentiques Hatco sont conçues pour fonctionner de manière sûre et adaptée dans l'environnement dans lequel elles sont utilisées. Contactez un agent agréé ou Hatco pour remplacer des interrupteurs par des pièces de remplacement authentiques Hatco.

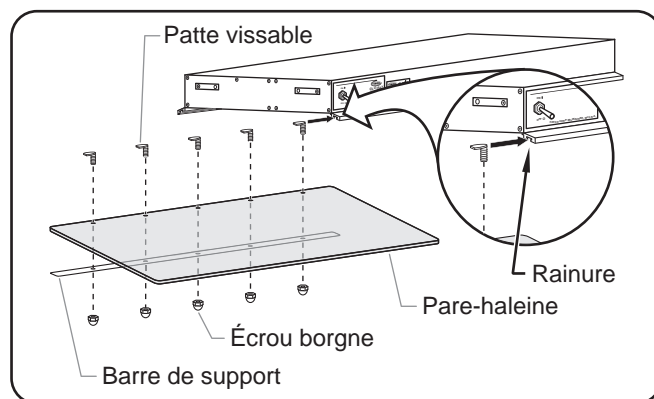
**OPTIONS ET ACCESSOIRES**

**Pare-haleine**

Les pare-haleine sont disponibles en option pour les modèles en aluminium uniquement. Ils sont disponibles en tailles de 9 3/8" (238 mm) et 14" (356 mm). Les pare-haleine peuvent être installés sur un seul côté ou des deux côtés de l'unité.

Pour installer un pare-haleine :

1. Retirez le papier protecteur du pare-haleine.
2. Faites passer chacune des pattes vissables par le dessus du pare-haleine et au travers de la barre de support. Vissez sans le serrer un écrou borgne sur chacune des pattes au-dessous de la barre de support.
3. Soulevez l'ensemble pare-haleine et supports et glissez soigneusement chacune des pattes fixées (mais non serrées) au pare-haleine dans la rainure sur l'unité.
4. Alignez chaque extrémité du pare-haleine avec les extrémités de l'unité puis serrez les écrous borgnes pour fixer le pare-haleine en position. Ne serrez pas trop les écrous borgnes.



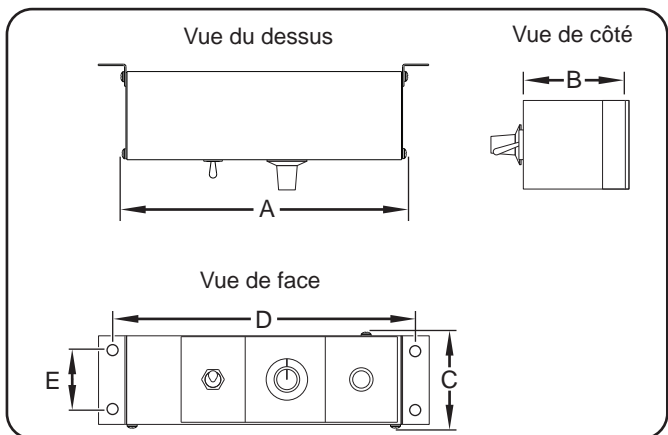
Installation du pare-haleine

**Compartiment de contrôle à distance—RMB**

Les compartiments de contrôle à distance de la série RMB sont disponibles dans des tailles et des configurations différentes pour une utilisation avec des réchauffeurs de bande. Les compartiments de contrôle à distance déplacent les contrôles à distance de la chaleur constante de l'appareil, augmentant la longévité des contrôles. Tous les modèles sont construits conformément aux standards UL avec des interrupteurs, des indicateurs lumineux et des câblages. Consultez l'usine pour connaître le type et l'emplacement des contrôles de la série RMB pour le compartiment.

*NOTA: Les compartiments de contrôle à distance de la série RMB nécessitent un compartiment de contrôle à distance par réchauffeur de bande.*

Modèle	Largeur (A)	Profondeur (B)	Hauteur (C)	Largeur de la vis (D)	Hauteur de la vis (E)
RMB-3 Series	5-15/16" (150 mm)	3" (76 mm)	2-5/8" (67 mm)	6-5/16" (161 mm)	1-5/8" (41 mm)
RMB-7 Series	9-3/8" (239 mm)	3" (76 mm)	2-5/8" (67 mm)	9-13/16" (249 mm)	1-5/8" (41 mm)
RMB-14 Series	14-3/8" (366 mm)	3" (76 mm)	2-5/8" (67 mm)	14-13/16" (376 mm)	1-5/8" (41 mm)
RMB-16 Series	16-3/8" (417 mm)	3" (76 mm)	2-5/8" (67 mm)	16-13/16" (427 mm)	1-5/8" (41 mm)
RMB-20 Series	20-3/8" (518 mm)	3" (76 mm)	2-5/8" (67 mm)	20-13/16" (529 mm)	1-5/8" (41 mm)

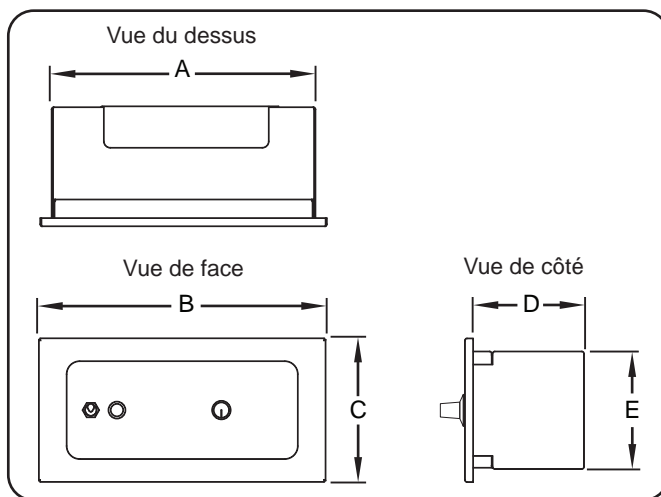


Dimensions de la série RMB

**Compartiment de contrôle à distance—RMB2**

Les compartiments de contrôle à distance de la série RMB2 permettent à plusieurs réchauffeurs de bande d'être câblé et contrôlés par un compartiment unique. L'ampérage total de tous les réchauffeurs de bande connectés ne peut pas excéder la notation du compartiment de contrôle à distance. Consultez l'usine pour des informations concernant le compartiment de contrôle à distance de la série RMB2 adapté pour une application spécifique.

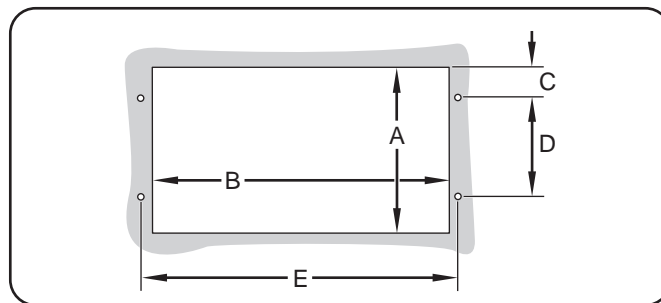
Modèle	Largeur (A)	Largeur (B)	Hauteur (C)	Profondeur (D)	Hauteur (E)
RMB2-1R	10-1/8" (257 mm)	11" (279 mm)	5-1/2" (140 mm)	4-1/4" (109 mm)	4-5/8" (116 mm)
RMB2-2R	13-1/8" (333 mm)	14" (356 mm)	5-1/2" (140 mm)	4-1/4" (109 mm)	4-5/8" (116 mm)



Dimensions de la série RMB2

**Dimensions de la découpe de la série RMB2**

Modèle	Dimensions de la découpe de l'ouverture		Dimensions de la cavité pour la vis		
	(A)	(B)	(C)	(D)	(E)
RMB2-1R	4-3/4" (121 mm)	10-1/8" (257 mm)	1-1/8" (29 mm)	2-1/2" (64 mm)	10-7/16" (265 mm)
RMB2-2R	4-3/4" (121 mm)	13-1/8" (333 mm)	1-1/8" (29 mm)	2-1/2" (64 mm)	13-7/16" (341 mm)



Dimensions de la découpe de la série RMB2

## 1. GARANTIE DU PRODUIT

Hatco garantit que les produits qu'il fabrique (les « Produits ») sont exempts de défauts de matériel et de fabrication, dans des conditions normales d'utilisation et de maintenance, pour une période d'un (1) an à partir de la date d'achat à condition que l'appareil soit installé et entretenu conformément aux instructions écrites de Hatco ou 18 mois après la date de l'expédition par Hatco. L'acheteur doit prouver la date d'achat du Produit par l'enregistrement du produit auprès de Hatco ou par d'autres moyens satisfaisants pour Hatco, à sa seule discrétion.

Hatco garantit que les composants du Produit suivants sont exempts de défauts de matériel et de fabrication à partir de la date d'achat (sous réserve des conditions précédentes) pour la ou les périodes de temps et en fonction des conditions listées ci-dessous :

**a) Garantie d'un (1) an pour les pièces et la main-d'œuvre PLUS un an (1) supplémentaire pour les pièces uniquement :**

Éléments du grille-pain à convoyeur (enveloppe métallique)  
 Éléments des tiroirs chauffants (enveloppe métallique)  
 Tiroirs, roues et glissières des tiroirs chauffants  
 Éléments des rampes chauffantes (enveloppe métallique)  
 Éléments des vitrines chauffantes (enveloppe métallique, air chauffant)  
 Éléments des armoires de stockage (enveloppe métallique, air chauffant)  
 Éléments des compartiments chauffants — série HWB (enveloppe métallique)

**b) Garantie d'un (1) an pour les pièces et la main-d'œuvre PLUS quatre (4) ans pour les pièces uniquement :**

Cuves 3CS et FR

**c) Garantie d'un (1) an pour les pièces et la main-d'œuvre PLUS neuf (9) ans pour les pièces uniquement :**

Cuves des appareils de chauffage d'appoint électriques  
 Cuves des appareils de chauffage d'appoint à gaz

**d) Garantie de quatre-vingt-dix (90) jours pour les pièces uniquement :**

Pièces de rechange

LES GARANTIES PRÉCÉDENTES SONT EXCLUSIVES ET REMPLACENT TOUTES AUTRES GARANTIES, EXPRESSES OU IMPLICITES, COMPRENANT, MAIS NE SE LIMITANT PAS À, TOUTES GARANTIES IMPLICITES DE QUALITÉ MARCHANDE OU DE FINALITÉ PARTICULIÈRE OU TOUTES BREVETS OU TOUTES AUTRES ATTEINTES AUX DROITS DE LA PROPRIÉTÉ INTELLECTUELLE. Sans restreindre la portée générale des énoncés précédents, CES GARANTIES NE COUVRENT PAS : Ampoules d'éclairage à incandescence enduites, lumières fluorescentes, ampoules de lampes chauffantes, ampoules d'éclairage à halogène enduites, ampoules de lampes chauffantes au xénon, tubes d'éclairage DEL, composants en verre et fusibles ; défaut de produit dans la cuve d'un appareil de chauffage d'appoint, dans un échangeur de chaleur à tubes à ailettes ou tout autre équipement de chauffage d'eau causé par la calcification, l'accumulation de sédiments, la réaction d'un produit chimique ou le gel ; ou une mauvaise utilisation, une manipulation ou une mauvaise application, une installation inappropriée du Produit ou l'utilisation d'une tension inappropriée.

## 2. LIMITES DES RECOURS ET DES DOMMAGES

La responsabilité de Hatco et la seule voie de recours de l'Acheteur prévues par les présentes seront limitées exclusivement, au gré de Hatco, à la réparation ou au remplacement à l'aide de pièces ou de Produits nouveaux ou remis à neuf par Hatco ou un centre de réparation agréé par Hatco (sauf si l'Acheteur se situe hors des États-Unis, du Canada, du Royaume-Uni ou de l'Australie, auquel cas la responsabilité de Hatco et la seule voie de recours de l'Acheteur seront limitées exclusivement au remplacement des pièces concernées par la garantie) à l'égard de toute revendication effectuée dans les délais de garantie applicables mentionnés ci-dessus. Hatco se réserve le droit d'accepter ou de rejeter toute réclamation en partie ou dans son intégralité. Dans le cadre de cette Garantie limitée, « remis à neuf » signifie une pièce ou un Produit dont les caractéristiques techniques d'origine ont été restaurées par Hatco ou un centre de réparation agréé par Hatco. Hatco n'acceptera aucun retour de Produits sans qu'il n'ait auparavant donné son accord écrit, et tous ces retours approuvés doivent être effectués aux seuls frais de l'Acheteur. HATCO NE SERA PAS TENU RESPONSABLE, DANS AUCUNE CIRCONSTANCE, DES DOMMAGES CONSÉCUTIFS OU INDIRECTS, COMPRENANT, MAIS NE SE LIMITANT PAS À, LES COÛTS DE MAIN-D'ŒUVRE OU PERTES DE PROFITS DUS À UNE UTILISATION OU À UNE IMPOSSIBILITÉ D'UTILISER LES PRODUITS OU DUS AU FAIT QUE LES PRODUITS ONT ÉTÉ INTÉGRÉS DANS OU QU'ILS SONT DEVENUS UN COMPOSANT DE TOUT AUTRE PRODUIT OU BIEN.

# AUTHORIZED PARTS DISTRIBUTORS • AUTORISÉS DISTRIBUTEURS DE PIÈCES

## ALABAMA

Jones McLeod Appl. Svc.  
Birmingham 205-251-0159

## ARIZONA

Service Solutions Group  
Phoenix 602-234-2443

Byassee Equipment Co.  
Phoenix 602-252-0402

## CALIFORNIA

Industrial Electric  
Commercial Parts & Service, Inc.  
Huntington Beach 714-379-7100

Chapman Appl. Service  
San Diego 619-298-7106

P & D Appliance  
Commercial Parts & Service, Inc.  
S. San Francisco 650-635-1900

## COLORADO

Hawkins Commercial Appliance  
Englewood 303-781-5548

## FLORIDA

Whaley Foodservice Repair  
Jacksonville 904-725-7800

3Wire Nass Service Co., Inc.  
Orlando 407-425-2681

B.G.S.I.  
Pompano Beach 954-971-0456

Comm. Appliance Service  
Tampa 813-663-0313

## GEORGIA

TWC Services  
Mableton 770-438-9797

Heritage Service Group  
Norcross 866-388-9837

Southeastern Rest. Svc.  
Norcross 770-446-6177

## HAWAII

Burney's Comm. Service, Inc.  
Honolulu 808-848-1466

Food Equip Parts & Service  
Honolulu 808-847-4871

## ILLINOIS

Parts Town  
Lombard 708-865-7278

Eichenauer Elec. Service  
Decatur 217-429-4229

Midwest Elec. Appl. Service  
Elmhurst 630-279-8000

Cone's Repair Service  
Moline 309-797-5323

## INDIANA

GCS Service  
Indianapolis 317-545-9655

## IOWA

Electric Motor Service Co.  
Davenport 319-323-1823

Goodwin Tucker Group  
Des Moines 515-262-9308

## KENTUCKY

Service Solutions Group  
Lexington 859-254-8854

Service Solutions Group  
Louisville 502-451-5411

## LOUISIANA

Chandlers Parts & Service  
Baton Rouge 225-272-6620

## MARYLAND

Electric Motor Service  
Baltimore 410-467-8080

GCS Service  
Silver Spring 301-585-7550

## MASSACHUSETTS

Ace Service Co., Inc.  
Needham 781-449-4220

## MICHIGAN

Bildons Appliance Service  
Detroit 248-478-3320

Commercial Kitchen Service  
Bay City 517-893-4561

Midwest Food Equip. Service  
Grandville 616-261-2000

## MINNESOTA

GCS Service  
Plymouth 800-345-4221

## MISSOURI

General Parts  
Kansas City 816-421-5400

Commercial Kitchen Services  
St. Louis 314-890-0700

Kaemmerlen Parts & Service  
St. Louis 314-535-2222

## NEBRASKA

Anderson Electric  
Omaha 402-341-1414

## NEVADA

Burney's Commercial  
Las Vegas 702-736-0006

Hi. Tech Commercial Service  
N. Las Vegas 702-649-4616

## NEW JERSEY

Jay Hill Repair  
Fairfield 973-575-9145

Service Plus  
Flanders 973-691-6300

## NEW YORK

Acme American Repairs, Inc.  
Brooklyn 718-456-6544

Alpro Service Co.  
Brooklyn 718-386-2515

Appliance Installation  
Buffalo 716-884-7425

Duffy's Equipment Services, Inc.  
Buffalo 800-836-1014

3Wire Northern  
Plattsburgh 800-634-5005

Duffy's Equipment Services, Inc.  
Sauquoit 800-836-1014

J.B. Brady, Inc.  
Syracuse 315-422-9271

## NORTH CAROLINA

Authorized Appliance  
Charlotte 704-377-4501

## OHIO

Akron/Canton Comm. Svc. Inc.  
Akron 330-753-6635

Service Solutions Group  
Cincinnati 513-772-6600

Commercial Parts and Service  
Columbus 614-221-0057

Electrical Appl. Repair Service  
Brooklyn Heights 216-459-8700

E. A. Wichman Co.  
Toledo 419-385-9121

## OKLAHOMA

Hagar Rest. Service, Inc.  
Oklahoma City 405-235-2184

Krueger, Inc.  
Oklahoma City 405-528-8883

## OREGON

Ron's Service, Inc.  
Portland 503-624-0890

## PENNSYLVANIA

Elmer Schultz Services  
Philadelphia 215-627-5401

FAST Comm. Appl. Service  
Philadelphia 215-288-4800

Appliance Installation & Service  
Pittsburgh 412-809-0244

K & D Service Co.  
Harrisburg 717-236-9039

Electric Repair Co.  
Reading 610-376-5444

## RHODE ISLAND

Marshall Electric Co.  
Providence 401-331-1163

## SOUTH CAROLINA

Whaley Foodservice Repair  
W. Columbia 803-791-4420

## TENNESSEE

Camp Electric  
Memphis 901-527-7543

## TEXAS

GCS Service  
Fort Worth 800-433-1804

Armstrong Repair Service  
Houston 713-666-7100

Cooking Equipment Specialist  
Mesquite 888-866-9276

Refrigerated Specialist, Inc.  
Mesquite 888-866-9276

Commercial Kitchen Repair Co.  
San Antonio 210-735-2811

## UTAH

La Monica's Rest. Equip. Service  
Murray 801-263-3221

## VIRGINIA

Daubers  
Norfolk 757-855-4097

Daubers  
Springfield 703-866-3600

## WASHINGTON

3Wire Restaurant Appliance  
Seattle 800-207-3146

## WISCONSIN

A.S.C., Inc.  
Madison 608-246-3160

A.S.C., Inc.  
Milwaukee 414-543-6460

## CANADA

### ALBERTA

Key Food Equipment Service  
Edmonton 780-438-1690

### BRITISH COLUMBIA

Key Food Equipment Service  
Vancouver 604-433-4484

Key Food Equipment Service  
Victoria 250-920-4888

### MANITOBA

Air Rite, Inc.  
Winnipeg 204-895-2300

### NEW BRUNSWICK

EMR Services, Ltd.  
Moncton 506-855-4228

### ONTARIO

R.G. Henderson Ltd.  
Toronto 416-422-5580

Choquette - CKS, Inc.  
Ottawa 613-739-8458

### QUÉBEC

Choquette - CKS, Inc.  
Montreal 514-722-2000

Choquette - CKS, Inc.  
Québec City 418-681-3944

## UNITED KINGDOM

Marren Group  
Northants +44(0)1933 665313

### HATCO CORPORATION

P.O. Box 340500

Milwaukee, WI 53234-0500 U.S.A.

(800) 558-0607 (414) 671-6350

Parts and Service Fax (800) 690-2966

International Fax (414) 671-3976

partsandservice@hatcocorp.com

www.hatcocorp.com

**Register your unit online!**

See IMPORTANT OWNER INFORMATION  
section for details.

**S'inscrire en ligne!**

Lisez la section **INFORMATIONS IMPORTANTES**  
**POUR LE PROPRIÉTAIRE** pour plus de informations.