



INSTALLATION AND OPERATION MANUAL

**GARLAND RTCS TECHNOLOGY BUILT IN
INDUCTION COOKERS,
MODELS: BH/IN 2500, SH/IN 3500, SH/IN 5000,
SH/WO/IN 3500, SH/WO/IN 5000 & SH/WO/IN 8000**



**FOR YOUR SAFETY:
DO NOT STORE OR USE GASOLINE
OR OTHER FLAMMABLE VAPORS OR
LIQUIDS IN THE VICINITY OF
THIS OR ANY OTHER
APPLIANCE**

**WARNING:
IMPROPER INSTALLATION, ADJUSTMENT,
ALTERATION, SERVICE OR MAINTENANCE
CAN CAUSE PROPERTY DAMAGE, INJURY,
OR DEATH. READ THE INSTALLATION,
OPERATING AND MAINTENANCE
INSTRUCTIONS THOROUGHLY
BEFORE INSTALLING OR
SERVICING THIS EQUIPMENT**

PLEASE READ ALL SECTIONS OF THIS MANUAL
AND RETAIN FOR FUTURE REFERENCE.

THIS PRODUCT HAS BEEN CERTIFIED AS
COMMERCIAL COOKING EQUIPMENT AND
MUST BE INSTALLED BY PROFESSIONAL
PERSONNEL AS SPECIFIED.

INSTALLATION AND ELECTRICAL CONNECTION
MUST COMPLY WITH CURRENT CODES:
IN CANADA - THE CANADIAN ELECTRICAL
CODE PART 1 AND / OR LOCAL CODES.
IN USA - THE NATIONAL ELECTRICAL CODE
ANSI / NFPA - CURRENT EDITION.

ENSURE ELECTRICAL SUPPLY CONFORMS WITH
ELECTRICAL CHARACTERISTICS SHOWN ON
THE RATING PLATE.

Users are cautioned that maintenance and repairs must be performed by a Garland authorized service agent using genuine Garland replacement parts. Garland will have no obligation with respect to any product that has been improperly installed, adjusted, operated or not maintained in accordance with national and local codes or installation instructions provided with the product, or any product that has its serial number defaced, obliterated or removed, or which has been modified or repaired using unauthorized parts or by unauthorized service agents.

For a list of authorized service agents, please refer to the Garland web site at <http://www.garland-group.com>.

The information contained herein, (including design and parts specifications), may be superseded and is subject to change without notice.

Garland Commercial Ranges Ltd.
1177 Kamato Road, Mississauga,
Ontario, CANADA L4W 1X4

phone: 905 624 0260
fax: 905 624 5669

www.Garland-Group.com
www.ManitowocFoodservice.com

IMPORTANT INFORMATION

The instructions in this manual are fundamentally important and must be taken into account during assembly, operation and maintenance. They must therefore be read very carefully before installation and operation by the responsible specialist staff and the operator(s). After installation keep in a prominent position for consultation and reference.

Description Of Warning Signs



Identifies safety information about dangers which may cause serious personal injury if equipment is not operated properly.



Dangerous voltage warning symbol, indicates a risk of electric shock and hazards from dangerous voltage.

CAUTION

Indicates a hazard or unsafe practice which could result in minor personal injury or property damage.



Electromagnetic field



Warning
Risk of fire or electric shock
Do not open



To reduce the risk of fire or electric shock, do not remove or open cover. No user Serviceable parts inside. Refer servicing to qualified personnel.

Warning signs mounted directly on the cooker must be observed at all times and kept in a fully legible condition

Health Information

WARNING:

This product contains chemicals known to the State of California to cause cancer. Installation and servicing of this product could expose you to airborne particles of glass wool/ceramic fibers. Inhalation of airborne particles of glass wool/ceramic fibers is known to the State of California to cause cancer.

TABLE OF CONTENTS

IMPORTANT INFORMATION.....	3	Electrical installation	19
Description Of Warning Signs.....	3	Operating Test.....	19
Health Information.....	3	OPERATION.....	20
DIMENSIONS AND SPECIFICATIONS	6	Cooking Process	20
GENERAL INFORMATION	7	Comfort.....	20
Purpose Of Induction Cookers.....	7	Out Of Operation	20
Description Of Products.....	7	Safety Concerns	20
Components Supplied	7	Risk Involved By Disregarding Safety	
Product Overview	7	Information	20
Built In Units At A Glance	7	Safety Conscious Work	20
Control knob.....	7	Safety Information For The Operator/ Operating Personnel	20
INSTALLATION.....	8	Unauthorized Reconstruction And Use Of Spare Parts.....	21
Requirements For Installation	8	Improper Operating Methods.....	21
Electrical Supply	8	Pan Detection.....	21
Ventilation.....	8	Control Of The Heating Area	21
Cut Out For Model BH/IN 2500	9	MAINTENANCE AND CLEANING	22
Cut Out for Models SH/IN 3500 And SH/IN 5000.....	10	Cleaning.....	22
Cut Out For Models SH/WO/IN 3500, SH/WO/IN 5000 And SH/WO/IN 8000	11	Maintenance	22
Unit Placement	12	TROUBLESHOOTING	22
Installation of Operating Unit.....	12	Malfunction With Error Code	23
Fresh Air Intake Installation	13	Malfunction Without Error Code.....	24
Instructions For Assembly:			
Induction Built-In Units.....	14		
Guidelines For Assembly.....	14		
Mounting Instructions.....	14		

DIMENSIONS AND SPECIFICATIONS

OPERATING CONDITIONS		
Maximum Tolerance of Supply Voltage	+6/-10%	
Supply Frequency	50/60 Hz	
Protection Class	IP XO	
Minimal Diameter Of The Pan (BH/IN and SH/IN)	4 3/4" (120mm)	
Maximum Ambient Temperature	Storage	-4° to 158°F (-20° to 70°C)
	Function	41° to 104°F (5° to 40°C)
Maximum Relative Humidity Of Air	Storage	10%-90%
	Function	30%-90%

ELECTRICAL SPECIFICATIONS		
MODEL	VOLTAGE	Total KW
BH/IN2500	208/230/240	2.5
SH/IN 3500	208/230/240	3.5
SH/IN 5000	208/230/400/440	5.0
SH/WO/IN 3500	208/230/240	3.5
SH/WO/IN 5000	208/230/400/440	5.0
SH/WO/IN 8000	400/440	8.0

DIMENSIONS		
Model	Glass Ceramic	Top Work Surface Measurement
BH/IN	10.24" x 10.24" (260mm x 260mm)	12.20" x 12.20" (310mm x 310mm)
SH/IN	12.60" X 12.60" (320mm x 320 mm)	15.12" x 15.12" (384mm x 384mm)
SH/WO/IN	∅ 11.81" (300mm)	15.12" x 15.12" (384mm x 384mm)

GENERAL INFORMATION

Purpose Of Induction Cookers

The induction cookers are especially suitable as built-in cookers **in closed counters** for the preparation of meals. The cookers can be used for cooking, keeping warm, flambéing, roasting, etc. of food. Only recommended types and sizes of pans should be used. Do not use NO NAME pan material but only pans appropriate for induction cooking!

Description Of Products

Components Supplied

1. Generator with built-in frame including glass top.
2. Operating unit.

Product Overview

Garland supplies several basic types of units with different performances and measurements. Built with a robust method of construction, they are compact and powerful with a revolutionary technology in a complete case of CrNi-steel. Equipped with continuous control, allowing for efficient cooking and have the following features:

- Simple operation with rotary switch with integrated mains switch.
- Compact module in a frame design with an induction generator, controller, coil, ventilator, glass ceramic cooking zone with power rotary knob and LED-indicator fixed on a CNS plate.
- Electronic limitation of the connected load.
- Compact powerful electronics enable tight construction and safe operation.
- A maximum of safety thanks to multiple functions of protection and checking.
- Short cooking time.
- Compact measurement – light weight.
- CE models comply with the latest European Norms: EN 60335-1, EN 60335-2-36, EN 62233 (EMC/EMV)
- North American models: ETL listed in compliance with UL 197, CSA C22.2 No.109, NSF-4, complies with FCC part 18, ICES-001

Built In Units At A Glance

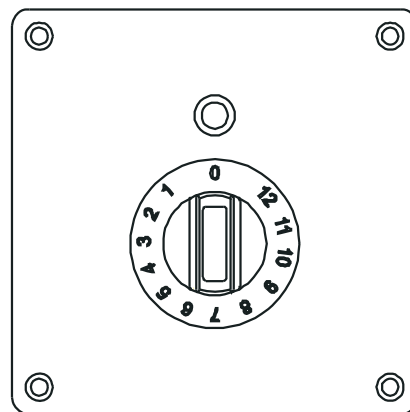
Before carrying out function checks, the operator must know how to operate the cooker.

Control knob

The number that points to the operation indicator marks the actual position of the control knob.

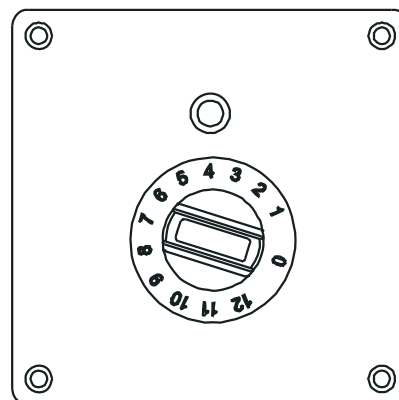
OFF-POSITION

0 Points to the operation indicator



ON-POSITION

Any position when a number other than 0 points to the operation indicator



INSTALLATION

The generator is delivered with firmly fixed built-in frame including glass top and separate operating unit.

CAUTION Please note that the unit is not completely assembled. Pay close attention to the requirements for installation section.

Requirements For Installation

The induction appliance has to be built into a clean and even surface (table, counter, stove) at a definite place.

Make sure that all installation requirements and instructions are followed.

Built In appliances must only be installed in closed counters

The rear side of the induction unit below the fan has to be absolutely free from obstruction and air intake. Optimal air intake must not be reduced by the installation. If necessary, an optional air supply has to be achieved by adding a flexible air duct including a shackle (available as accessory). Be sure that the air inlet and air outlet openings have a clearance of at least 1 3/16" (30 mm) from obstructions like walls or floors. Also ensure that the air of air inlet and air outlet do not mix. Garland recommends guaranteeing a supply of fresh air by fixing an air duct including shackle or by air openings. The air exit must not to be hindered by any obstructions.

Electrical Supply

Please observe the following rules:

1. Check and ensure that the supply voltage and the line current matches the specifications given on the rating plate.
2. This induction appliance is equipped with mains cable and plug which can be connected to the socket. The connector must be easily accessible to disconnect the unit from the electrical supply.
3. When residual current circuit breakers are used, they must be rated for a breaking current of 30mA or more.

Ventilation

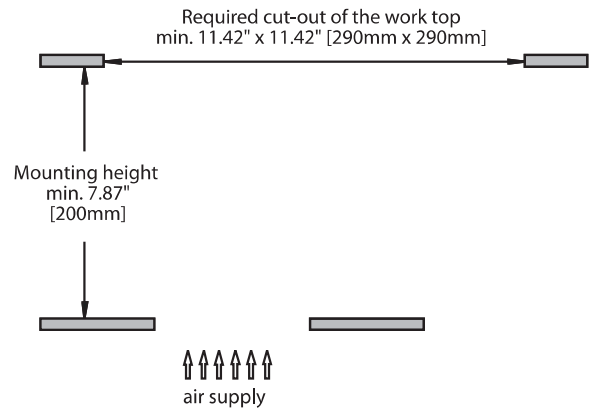
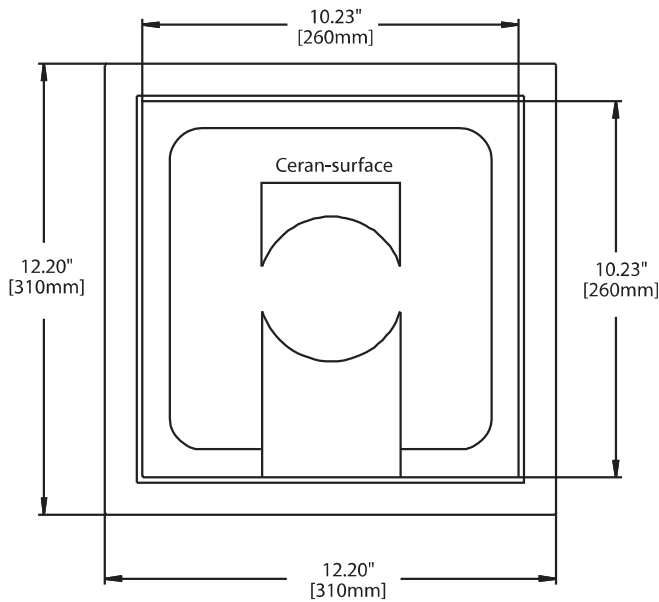
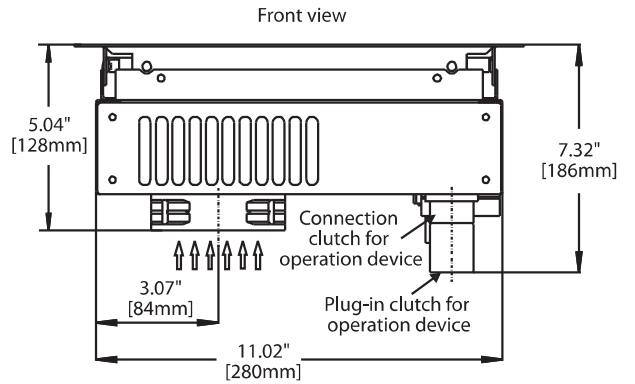
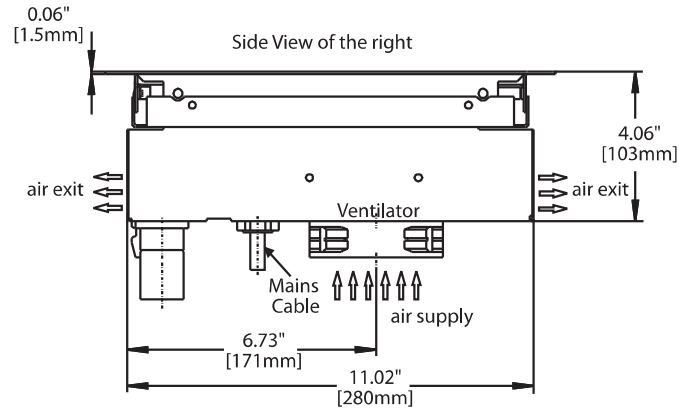
Please read carefully and comply with the following rules.

1. This induction unit is equipped with an internal air cooling system. Be sure that the air supply and air exhaust are not blocked (wall, fabric etc.).
2. Ensure that the induction unit does not take in hot ambient air (concerns units standing side by side, or one behind the other, or standing near a frying pan or an oven), otherwise an air duct including shackle has to be added.
3. The induction unit must not be placed next to an oven or another heat producing unit.
4. The air intake temperature must be under 104°F (40°C).
5. The operating staff has to make sure that installation, support and inspection is done by qualified personnel.

INSTALLATION continued

Cut Out For Model BH/IN 2500

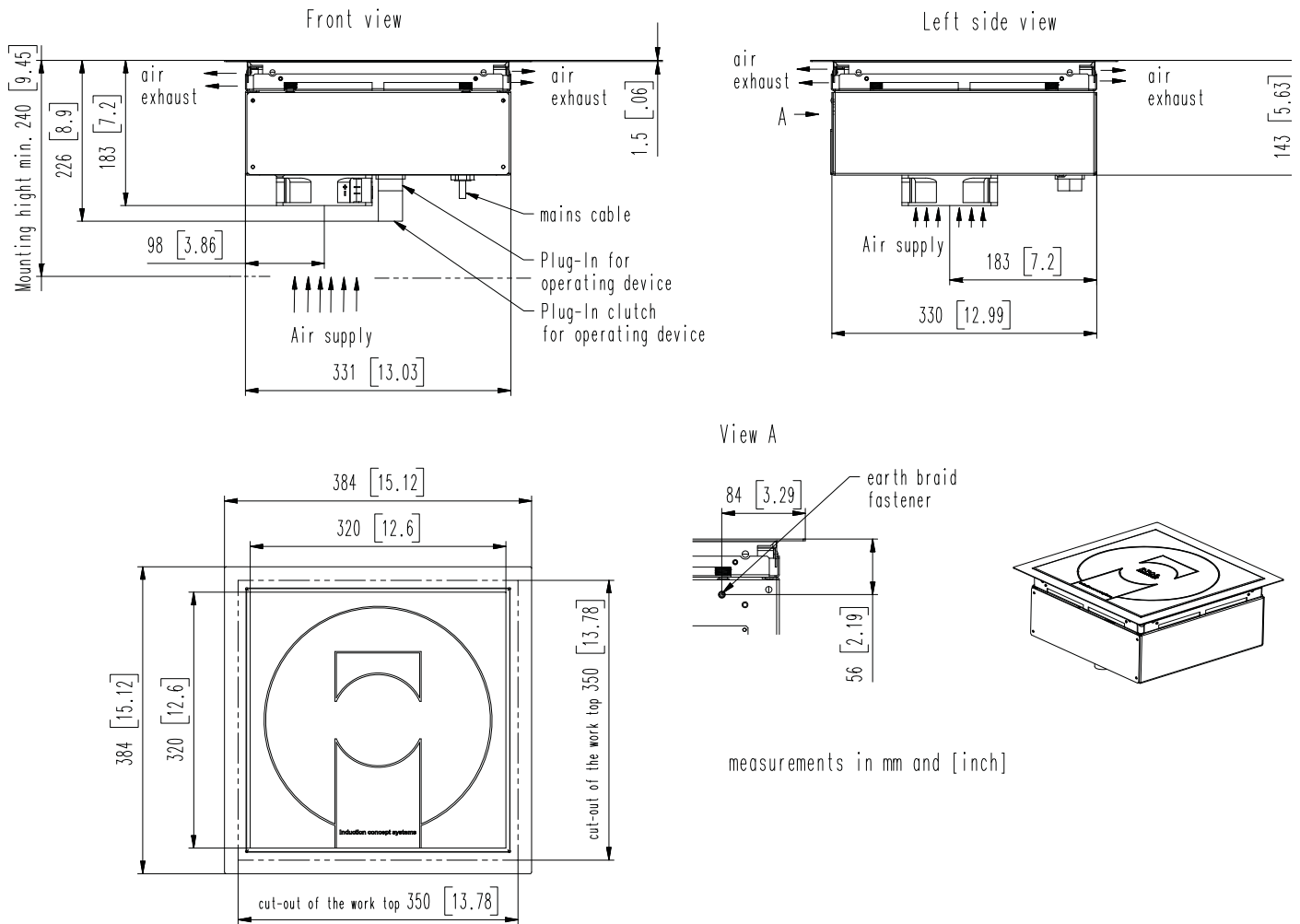
The size of the cut out in the built-in area must be, 11.41" x 11.41" (290 x 290mm), the depth 7.87" (200mm) and the base at least 13.39" x 11.75" (340 x 273mm).



INSTALLATION continued

Cut Out for Models SH/IN 3500 And SH/IN 5000

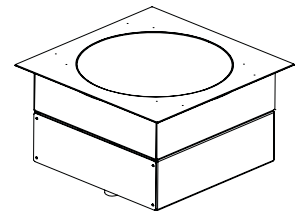
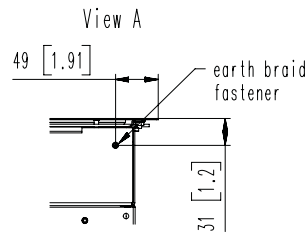
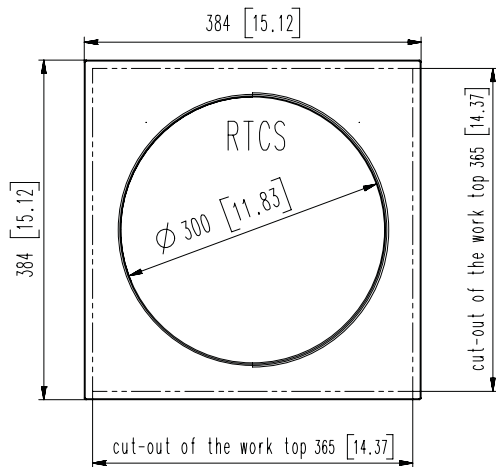
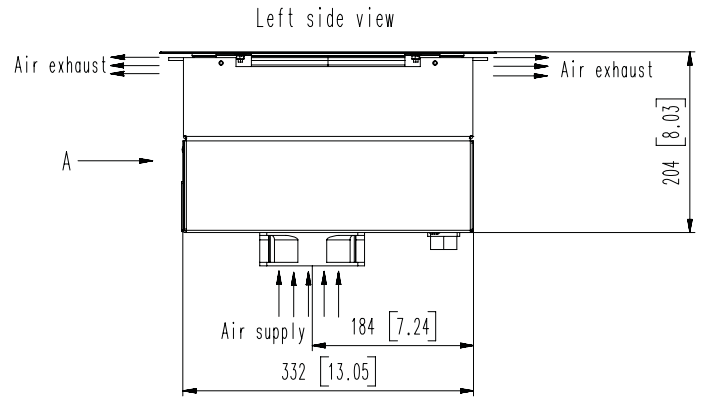
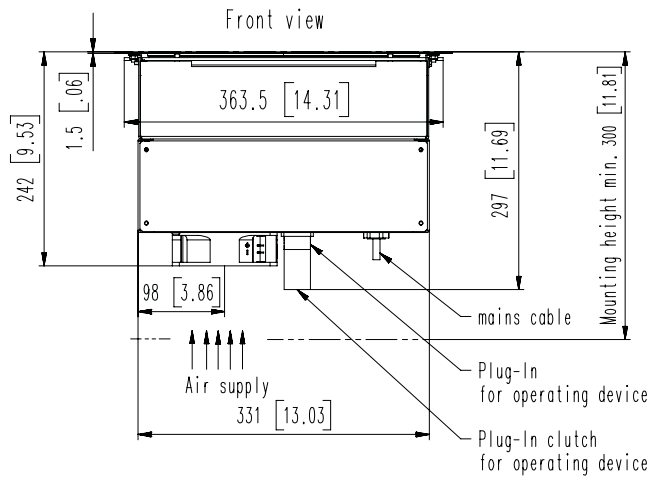
The size of the cut out in the built-in area must be 13.78" x 13.78" (350 x 350mm), the depth 9.45" (240mm) and the base at least 16.14" x 13.90" (410 x 353mm).



INSTALLATION continued

Cut Out For Models SH/WO/IN 3500, SH/WO/IN 5000 And SH/WO/IN 8000

The size of the cut out for the built in area must be 14.37" x 14.37" (365 x 365mm), the depth 11.81" (300mm) and the base at least 16.14" x 13.90" (410 x 353mm).

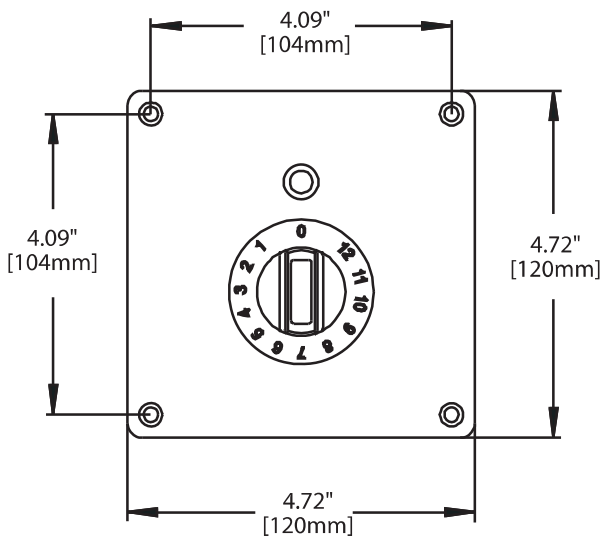


measurements in mm and [inch]

INSTALLATION continued

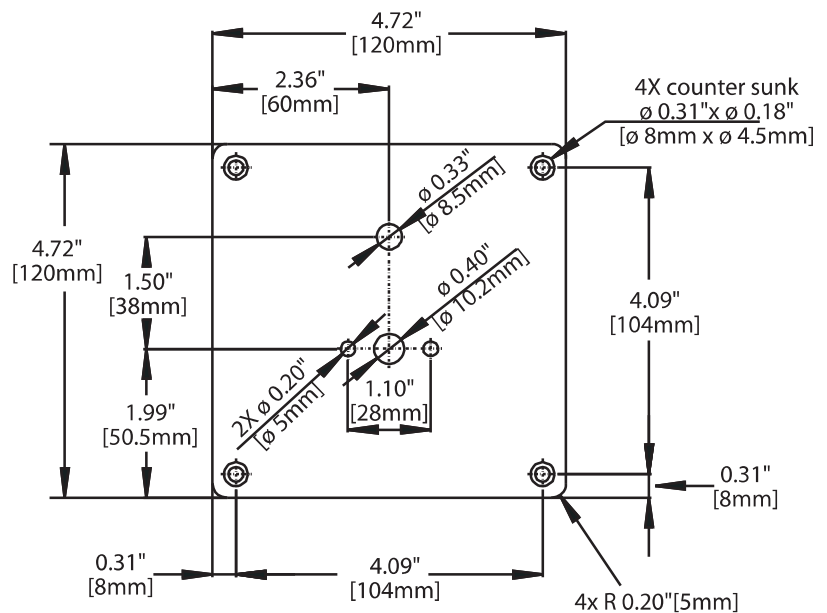
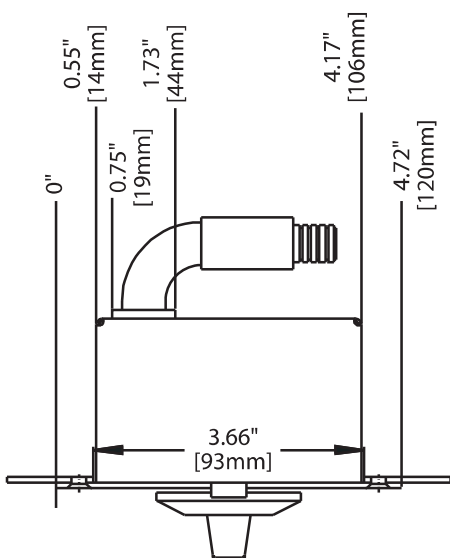
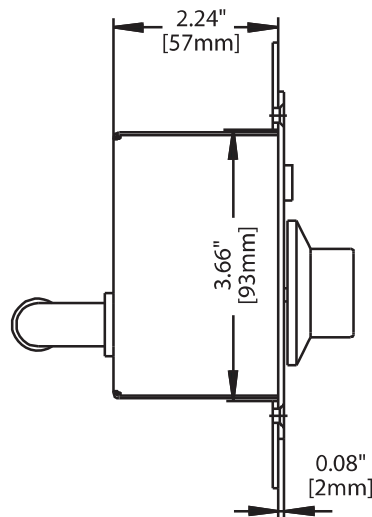
Unit Placement

After the cut out has been made according to the previous sections, apply silicone to the top of the counter and press the induction unit into the silicone, allowing for a complete water tight seal between the unit and the counter. Make sure the unit is level.



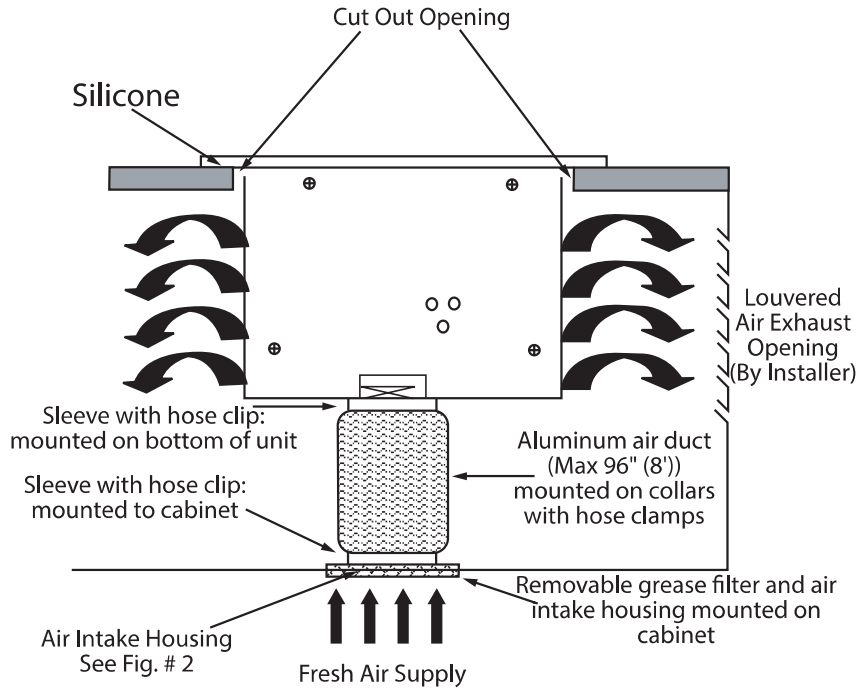
Installation of Operating Unit

Each unit is supplied with a complete operating unit. In order to fix this unit on the surface of the enclosure, a cut out for the power switch and the LED must be considered. The operator control panel has to be fixed vertically on the installation panel. The cable for the power switch and the LED have a length of 39.37" (1000mm).



INSTALLATION continued

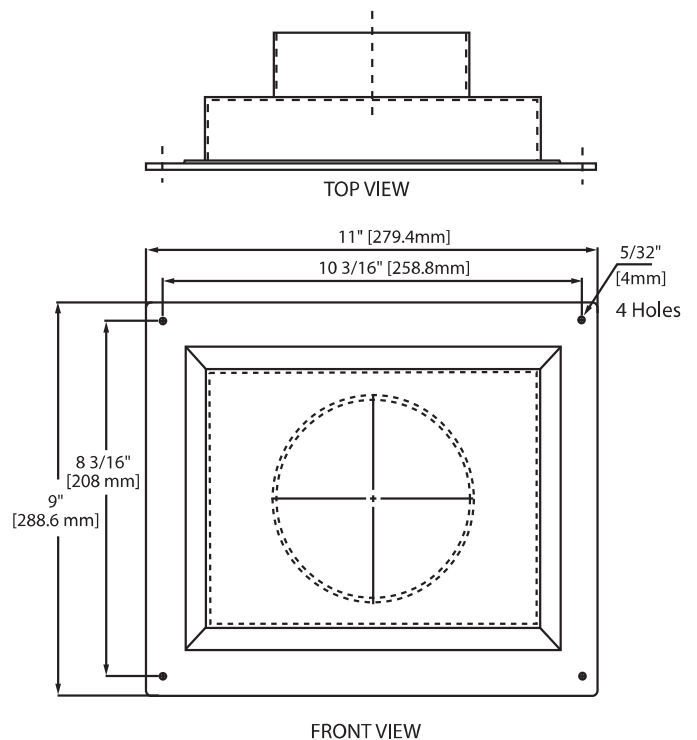
Figure # 1



Fresh Air Intake Installation

The built-in induction units require a cooling air intake to operate effectively. The air intake housing is mounted to the cabinet, and is fitted with a removable stainless steel grease filter that can be cleaned in a dishwasher. Install the air intake housing and connect it to the induction unit with the aluminum air duct. Maximum length of this air inlet is to be 96" (8'). Make sure the cabinet is also equipped with a louvered air exhaust having a size of no less than 30 sq inches (50 sq inches for dual units) for the hot air to escape (by installer). Failure to provide adequate ventilation for the unit will result in the unit overheating, nuisance shut down and potential failure of the unit. (See Figures # 1 & 2)

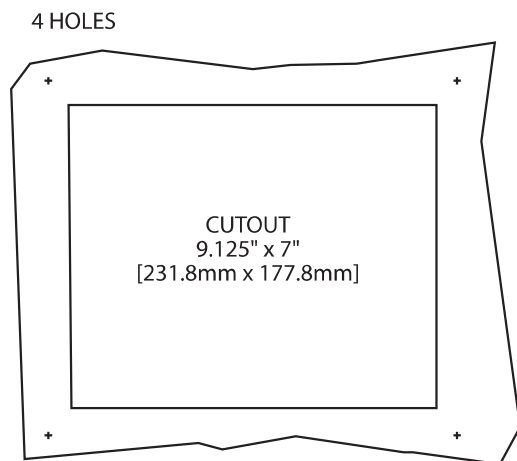
Figure # 2 - Air Intake Housing



See Cut out for air intake housing on next page

INSTALLATION continued

Figure 2 Continued - Cut Out



Instructions For Assembly: Induction Built-In Units

Garland has made enhancements for the installation requirements for the induction cooker built-in models. These changes are designed to provide the installer with greater details for installation. Meeting these requirements will reduce failure due to installation deficiencies

NOTE: BI Units not installed correctly will have warranty Voided.

Guidelines For Assembly

The underside and sides of the induction unit must be absolutely clear of obstructions to provide for adequate cooling air to enter and exhaust. Install a flexible air duct including shackle provided with your built-in induction cooker. Clearances between openings for air supply and air exhaust to obstacles (walls or floors), must be maintained to provide clearances of at least 4" (102mm). **The outgoing air must leave without any obstacles. In addition, make sure that the in-coming and outgoing exhaust air do not mix.** We recommend guaranteeing the supply of fresh air by using a tube with screens, vent ducts or Air Intake Kit.

It is highly recommend that an exhaust fan be installed into the cabinet. This will force hot air out the cabinet and away from the cooker. (See figures # 3, 4 & 5)

The fat and grease filter should be in visible view and labeled. A blocked grease filter can cause internal damage!

Mounting Instructions

As soon as the above mentioned preparations are made, the completely pre-mounted induction unit can be installed into the counter. Apply silicone, which is provided with every Air Intake Kit, completely around the underside of this stainless steel frame before lowering the induction cooker onto the counter top. Once the built-in induction cooker is in place, food save silicone may be also applied completely around stainless steel top trim, this is highly recommended. Silicone properly installed, will provide a good seal completely around the induction cooker and stop moisture from entering into the cooker. This moisture or grease will cause damage to the electronic components.

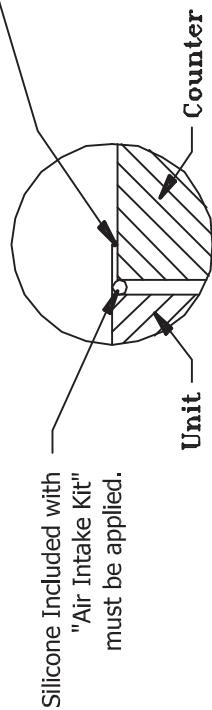
Induction Single & Wok Built-In Recommendation for Installations

IMPORTANT INFORMATION

Failure to Provide Adequate Cooling Air will Result in: to Unit Overheated, Nuisance Shut Down and Potential Failure.

Important Note: single woks do not come equipped with side vent exhaust openings.

Highly Recommend Applying Silicone Completely Around Top Trim. (Food Saver Silicone)



Counter Top

Single Wok Units are designed to exhaust hot air beneath the stainless steel top flange into compartment.

FIRST METHOD OF INSTALLATION

Hot Air Exhaust: An Opening or Ventilation Grid, Provide no Less than 30square Inches (per unit),50square Inches for a Dual. The Outgoing Hot Air Must Leave Without Obstacles.

Air Flow (out)

SECOND METHOD OF INSTALLATION

Highly Recommend Hot Air be Forced Out with External Fan to Exhaust

Air Flow (out)

Exhaust Fan

Control Unit

VERY IMPORTANT

- a) Fresh Air Supply Through Grease Filter
- b) Clean Filter Regularly
- c) Cooling Air Intake Temperature Must not exceed 40 Degrees Celcius (104 Degrees Fahrenheit)
- d) Grease Filter Should be in Place and Visible.

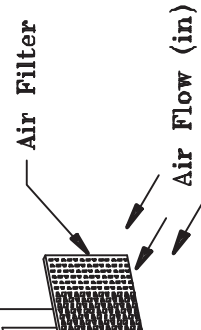


Figure #3

INDUCTION BUILT-IN (2 SINGLES) RECOMMENDATIONS FOR INSTALLATIONS

IMPORTANT INFORMATION

Failure to Provide Adequate Cooling Air will Result in: to Unit Overheat, Nuisance Shut Down and Potential Failure.

Silicone Included with "Air Intake Kit" Must be Applied

Highly Recommend Applying Silicone Completely Around Top Trim. (Food Safe Silicone)

FIRST METHOD OF INSTALLATION

Hot Air Exhaust: An Opening or Ventilation Grid, Provide no Less than 30square inches (per unit), 50square inches for a Dual. The Outgoing Hot Air Must Leave Without Obstacles.

Air Flow (out)

SECOND METHOD OF INSTALLATION

Highly Recommend Hot Air be Forced Out with External Fan to Exhaust

Air Flow (out)

VERY IMPORTANT

- a) Fresh Air Supply Through Grease Filter
- b) Clean Filter Regularly
- c) Cooling Air Intake Temperature Must not exceed 40 Degrees Celcius (104 Degrees Fahrenheit)
- d) Grease Filter Should be in Place and Visible.

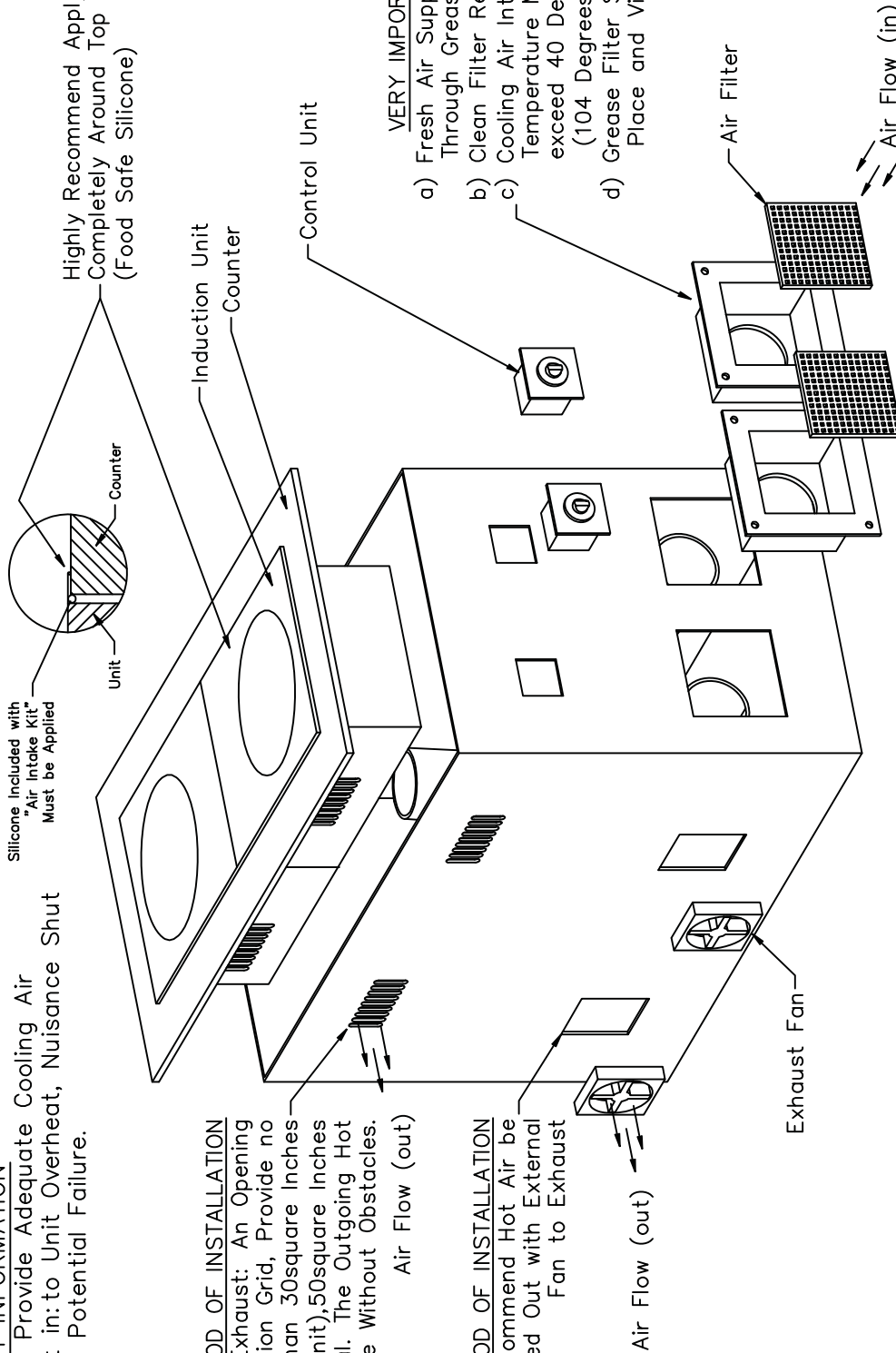


Figure # 4

INDUCTION BUILT-IN (DUAL) RECOMMENDATIONS FOR INSTALLATIONS

IMPORTANT INFORMATION

Failure to Provide Adequate Cooling Air will Result in: to Unit Overheat, Nuisance Shut Down and Potential Failure.

Highly Recommend Applying Silicone Completely Around Top Trim. (Food Safe Silicone)

Silicone Included with "Air Intake Kit" Must be Applied

Rear Exhaust Vent

FIRST METHOD OF INSTALLATION

Hot Air Exhaust: An Opening or Ventilation Grid, Provide no Less than 30square Inches (per unit), 50square Inches for a Dual. The Outgoing Hot Air Must Leave Without Obstacles.

Air Flow (out)

SECOND METHOD OF INSTALLATION

Highly Recommend Hot Air be Forced Out with External Fan to Exhaust

Air Flow (out)

Exhaust Fan

Control Unit

VERY IMPORTANT

- a) Fresh Air Supply Through Grease Filter
- b) Clean Filter Regularly
- c) Cooling Air Intake Temperature Must not exceed 40 Degrees Celcius (104 Degrees Fahrenheit)
- d) Grease Filter Should be in Place and Visible.

Air Filter

Air Flow (in)

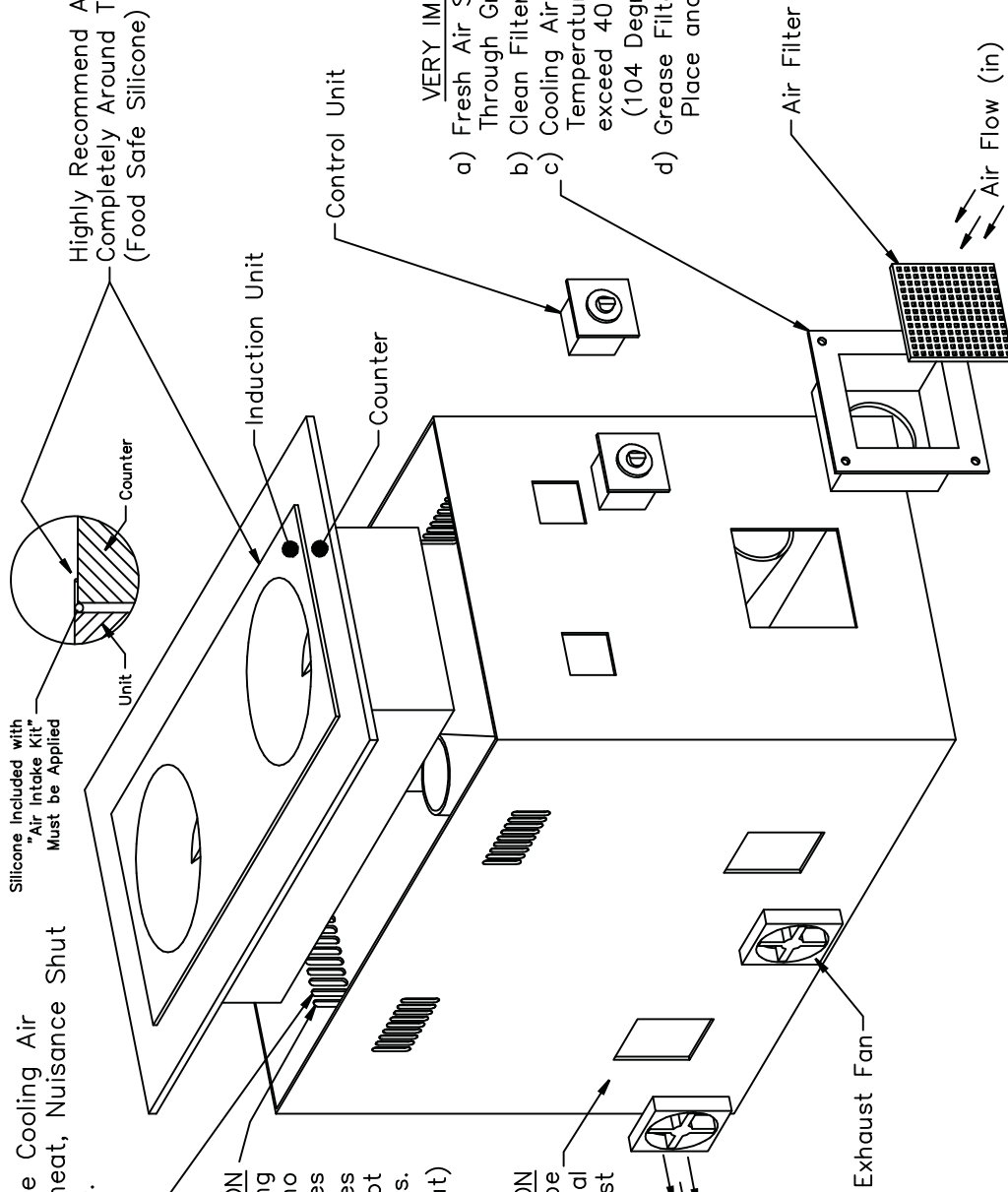


Figure # 5

GARLAND INDUCTION BUILT-IN RECOMMENDATIONS FOR INSTALLATIONS

IMPORTANT INFORMATION
Accessories For Built In Unit Must be Installed

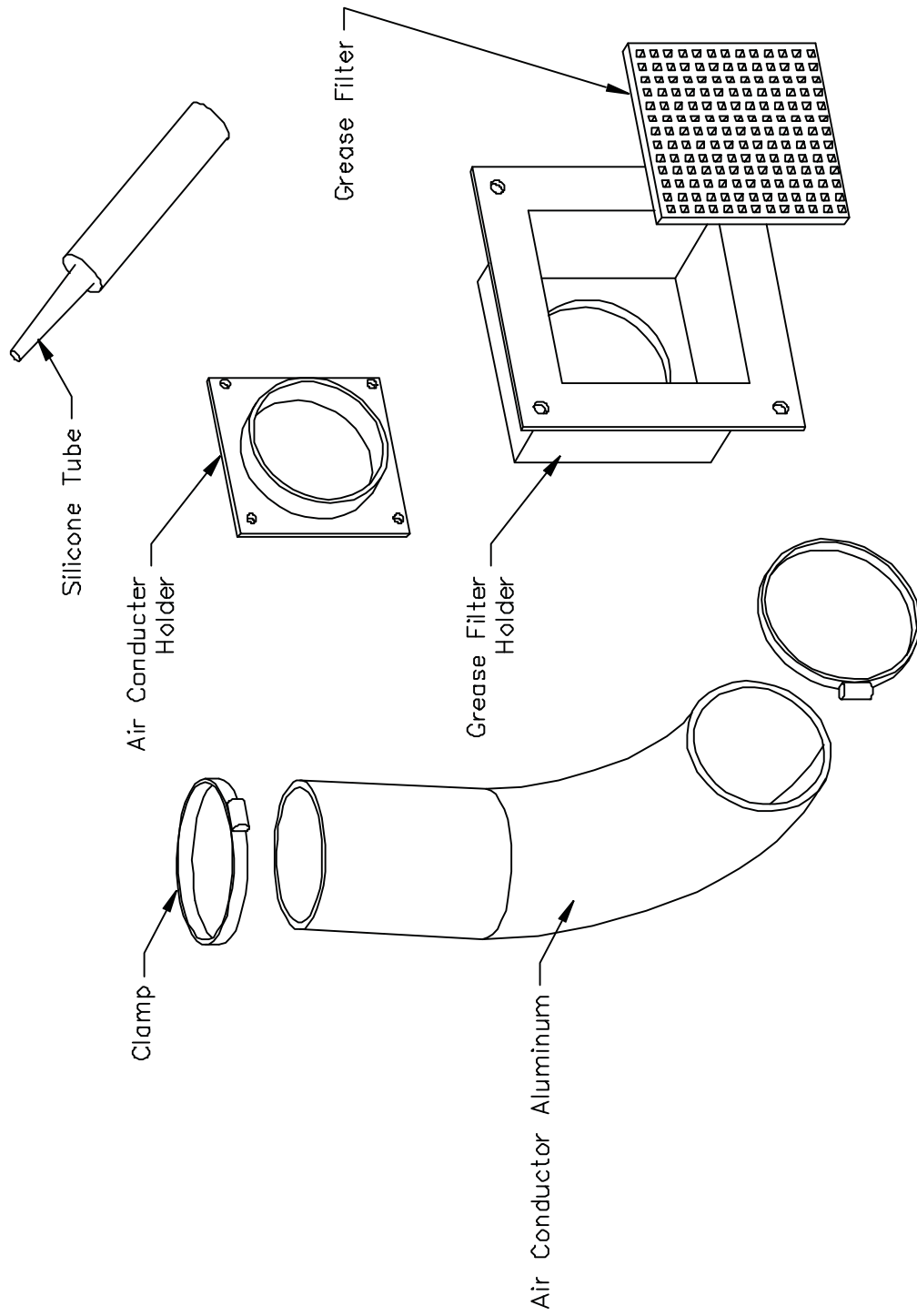


Figure # 6

INSTALLATION continued

Electrical installation

CAUTION If the voltage is wrong, the cooker can be damaged.

The electrical installation must be done by approved installation contractors in accordance with specific national and local codes in conformity with all safety regulations. The warning signs and rating plates on the appliances must strictly be followed.

Check and ensure that the supply voltage and the line current matches the specifications given on the rating plate.

SPECIFICATIONS	
Maximum Tolerance of Supply	+6/-10 %
Supply Frequency	50/60 Hz

1. Turn control knob to off position ("0").
2. Connect operating unit to the generator.
3. Connect the unit to the power socket (The unit is delivered completely with mains cable and plug.)

When the installation is complete an operating test outlined in the below must be done.

Operating Test

Remove all objects from the glass ceramic zone, verify that this area is neither cracked nor broken. Do not continue the use when the glass ceramic cooking zone is cracked or broken, immediately switch it off and disconnect the cooker from the power outlet and contact a service representative.

CAUTION The glass ceramic cooking zone is warmed up from the heat of the pan. To avoid injuries (burning) do not touch this area.

Use a pan suitable for induction cooking, having a bottom diameter of at least 4.72" (120mm) (only BH/IN and SH/IN).

1. Put some water in the pan and place it in the center of the heating area.
2. Turn the control knob to an ON position. The indicator will light up (green) and the water will be heated.
3. Take the pan away from the heating area, the indicator light will flash.
4. Place the pan back on the heating area, the indicator will light and the heating process will continue.
5. Turn the control knob in the OFF-position, the heating process will stop, indicator light turns off.

NOTE: The shining operation indicator light means that energy is being transferred to the pan. If the operation indicator light remains off, check the following:

1. Is the cooker connected to the power outlet?
2. Is the control knob in ON position?
3. Did you use a suitable pan (bottom diameter at least 4.72" (120mm) (only BH/IN and SH/IN), pan made of suitable material)?
4. Is the pan placed in the center of the heating area?

To verify, if the pan is suitable, use a permanent magnet and find out if it sticks on the bottom of the pan. If not, your pan is not suitable for induction cooking. Choose a pan which is recommended for induction cooking. Choose pan material suitable for induction appliances.

If in spite of all positive controls and tests, the cooker doesn't work, refer to the Fault Finding Section, or call a service representative.

Cooking Process

The induction cooker is switched on by turning the control knob (OFF ⇨ ON) and it is immediately ready for operation. The luminous operation indicator light means that energy is being transferred to the pan. The power rating is set by turning the control knob. The inductive power depends on the position of the potentiometer:

- ⇨ Position 1 > minimum power
- ⇨ Position 9 > maximum power (BH/IN only)
- ⇨ Position 12 > maximum power

Due to the following characteristics, the operator must be more attentive when using the induction cooker than it would be required with other appliances:

The heat storage capacity of this system is very low. If the heating level is changed by turning the control knob, the food is immediately exposed to a different temperature. **Do not put empty pans on the cooking zone**, first put grease or liquid into the pan and start the cooking process afterwards. Empty pans and pots heat up very quickly. Adjust the heating level carefully to the required cooking mode. Set and adjust the power by turning the control knob. The pan should always remain in the center of the heating area, otherwise, the bottom of the pan is heated up unequally and the food inside the pan may burn. When heating up oil or grease, constantly check the pan to prevent oil and grease from overheating and burning.

Comfort

The cooker transmits energy only when a pan is placed on the heating area, independently of the position of the control knob. If you take the pan away from the heating area, power transfer to the pan stops immediately. If the pan is put back on the heating area, the selected power will be transferred to the pan again.

After switching the cooker to the off position the cooking process will stop. Except for the pan, no heat is stored.

Out Of Operation

If the cooker is not in use make sure that the control knob is in the "OFF" position. If you don't use the cooker for a long period (several days), unplug the unit. Make sure that no liquid can enter into the cooker, do not clean the cooker with a jet of water.

Safety Concerns

Risk Involved By Disregarding Safety Information

Danger for persons, the environment and the cooker as well as claims for damages of any kind can result from disregarding safety information. Certain risks may be associated with disregarding precautions, including:

- Danger to persons through electrical causes.
- Danger to persons through overheated pans.
- Danger to persons through an overheated cooking platform (ceran glass).

Safety Conscious Work

The safety information pointed out in these instructions, existing national regulation for the prevention of accidents as well as any internal working, operating and safety regulations stipulated by the operator must be observed at all times.

Safety Information For The Operator/Operating Personnel

Any risks from electric power must be eliminated. The cooking induction unit shall only be used if the installation of the electricity is fitted by an approved installation contractor in accordance with specific national and local codes.

The following safety precautions should be followed at all times:

- The heating area is warmed up from the heat of the pan. To avoid injuries (burning) do not touch the heating area.
- To avoid overheating of pans due to the evaporation of the content, don't leave pans unattended.
- Switch the control knob off if you take the pan away for a while. This will avoid the heating process to continue automatically when a pan is placed back on the heating area. So, if any person starts to use the cooker, he/she will have to start the heating process by turning the control knob in the ON-position.
- Do not insert any piece of paper, cardboard, cloth, etc. between the pan and the heating area, as this might initiate a fire.

OPERATION continued

- Since metallic objects are heated up very quickly when placed on the heating area, do not place any other objects (closed cans, aluminium foil, cutlery, jewelry, watches etc.) on the induction cooker.
- Persons with a pacemaker should consult their doctor whether they are safe near an induction cooker.
- Aluminium foil and plastic vessels must not be placed on the hot surface.
- The surface must not be used for storage.
- Do not place credit cards, phone cards, cassette tapes, or other objects sensitive to magnetism on the Ceran glass.
- The induction cooker has an internal air-cooling system. Do not obstruct the air inlet- and air outlet-slots with objects (cloth). This would cause overheating and therefore the cooker would switch off.
- Avoid liquid entering into the cooker. Do not let water or food overflow the pan. Do not clean the cooker with a jet of water.
- If the heating area (Ceran glass) is cracked or broken, the induction cooker must be switched off and disconnected from the electric connection. Don't touch any parts inside the cooker.
- If the supply cord is damaged, it must be replaced by the manufacturer, the service agent or a similarly qualified person in order to avoid a hazard.

Unauthorized Reconstruction And Use Of Spare Parts

Reconstruction of the cooker or changes to the cooker are not allowed. Contact the manufacturer if you intend to make any changes on the cooker. To guarantee safety, use only genuine spare parts and accessories authorized by the manufacturer. The use of other components will void all warranty.

Improper Operating Methods

The operating reliability of the cookers can only be guaranteed by careful use.

Pan Detection

Pans having a diameter less than 4.72" (120 mm) are not detected (only BH/IN and SH/IN). During pan detection, the indicator operation flashes. No power is transferred and the indicator lamp flashes if no pan or an unsuitable pan is detected.

Control Of The Heating Area

The heating area is controlled by a temperature sensor. Overheated pans (hot oil, empty pans) can be detected. Energy transfer will be stopped. The induction unit must be re-started after it has cooled down.

MAINTENANCE AND CLEANING

NOTE: ensure no liquid can enter the induction unit, do not clean the cooker with a jet of water.

Cleaning

Slight soiling, no burned residues

Wipe with a moist cloth (scotch), without a cleaning agent.

Sticky soiling

Remove with a scraper, then wipe the heating area with a moist cloth.

Lime deposits, caused by water which has boiled over

These spots can be removed with vinegar or a special cleaning agent.

Sugar, sugar containing food, plastic, aluminum foil

1. Immediately scrape off the sugar, plastic or aluminum foil residues thoroughly from the hot cooking area, e.g. with a razor blade.
2. After removal of the residues, clean unit with a cleaning agent.
3. If the heating area soiled with residues of sugar, plastic or aluminum foil cools down without prior cleaning, the ceramic surface might become deformed by pinhead-sized pits.

Ceran glass

1. The cleaning of the Ceran glass is identical to other similar surfaces like glass. Do not use corrosive or abrasive cleaning agents, such as grill- and oven-sprays, stain- and rust-removers, scouring powder and rough sponges.
2. Before being cleaned, the Ceran glass must have cooled down.

Maintenance

Other maintenance and servicing work other than cleaning as described here, must be done by authorized service personnel.

A good maintenance of the induction cooker requires a regular cleaning, care and servicing. The operator has to ensure, that all components relevant for safety are in perfect working order at all times.

The cooker should be examined at least once a year by an authorized technician.

CAUTION Do not open the cooker, dangerous electric voltage inside..

The cookers may only be opened by authorized personnel.

TROUBLESHOOTING

The cookers may only be opened by authorized service personnel.

CAUTION Do not open the cooker, dangerous electric voltage inside.

NOTE: Stop any actions if the heating area (Ceran glass) is cracked or broken. The induction cooker must be switched off and disconnected from the electric supply. Don't touch any parts inside the cooker.

TROUBLESHOOTING continued

Malfunction With Error Code

Number of Flashing Signals (Code)	Possible Cause	Action To Take By Operator Or Operating Personnel
E03 -...-...	Overheated heat sink	Let unit cool down Check air filter and air flow
	Air-cooling system obstructed	Verify that air inlet and air outlet are not obstructed with objects Clean air filter
E04 -...-...	Overheated cooking zone	Let unit cool down Check air filter and air flow
E06 -.....-.....	Overheated electronic	Let unit cool down Check air filter and air flow
	Ambient temperature too high (the cooling system is not able to keep the cooker in normal operating conditions ¹)	Verify that no hot air is sucked in by the fan. Reduce the ambient temperature. The air inlet temperature must be lower than 104°F/40°C
E07 -.....-.....	Empty cooking sensing element activated	Reset empty cooking protection by switching the unit off
E08 -.....-.....	Ambient temperature beyond operating range	Make sure that the operating conditions (especially the ambient temperature) are kept
	Error on sensing element	Contact service agent

Order of error message: The indicator lamp lights up for an interval of 0.6 sec. The number of the following short flashes has to be counted and informs about the kind of error corresponding to the above mentioned code system.

The code will repeat until the error is cancelled.

¹ The cooling-system (fan) starts to operate when the ambient temperature in the control area exceeds 131°F/55°C. At heat temperatures higher than 158°F /70°C the controller automatically reduces the power to keep the unit in normal operating conditions. The cooker runs in a non continuous mode. This mode can be heard.

TROUBLESHOOTING continued

Malfunction Without Error Code

Fault	Possible Cause	Action To Take By Operator Or Operating Personnel
No heating Operation indicator light is OFF (dark)	No mains supply	Check the electrical supply (cable plugged onto the wall socket) Check preliminary fuses
	Control knob is in OFF-position	Turn control knob ON
	Cooker is defective	Ask your supplier for repair service Unplug the cooker from the mains supply
No heating Operation indicator light is flashing (If an error code is flashing see section "Malfunction with error code")	Pan is too small (bottom diameter less than 4.72" (120mm), only BH/IN and SH/IN)	Use a suitable pan
	Pan is not placed in the center of the heating area (the cooker cannot detect the pan)	Move the pan to the center of the heating area
	Unsuitable pan	Choose a pan recommended for induction cooking ¹
	Cooker defective	Ask your supplier for repair service, unplug the cooker from the mains supply
Poor heating Operation indicator light is ON (shining)	Used pan is not appropriate	Use a pan recommended for induction cooking and compare the result with "your" pan
	Air-cooling system obstructed	Verify that air inlet and air outlet are not obstructed with objects
	Ambient temperature is too high (the cooling system is not able to keep the cooker in normal operating conditions ²)	Verify that no hot air is sucked in by the fan. Reduce the ambient temperature. The air inlet temperature must be lower than 104°F /40°C.
	One phase is missing (only units with three phase supply)	Check preliminary fuses
	Cooker defective	Ask your supplier for repair service, unplug the cooker from the electrical supply
No reaction to control knob positions	Control knob defective	Ask your supplier for repair serviced, unplug the cooker from the mains supply
Heating cycle switches off and on Within minutes, fan is active	Air inlet or outlet obstructed or fan dirty	Remove objects from air inlet and air outlet slots, clean the slots Clean fan
Heating cycle switches off and on Within minutes, fan is never active	Fan defective Fan control defective	Ask your supplier for repair service

¹ To verify, if the pan is suitable, use a permanent magnet and find out if it sticks on the bottom of the pan. If not, your pan is not suitable for induction cooking. Choose a pan which is recommended for induction cooking. Choose pan material suitable for induction appliances.

² The cooling-system (fan) starts to operate when the ambient temperature in the control area exceeds 131°F/55°C. At heat temperatures higher than 158°F /70°C the controller automatically reduces the power to keep the unit in normal operating conditions. The cooker runs in a non continuous mode. This mode can be heard.

TROUBLESHOOTING continued

Fault	Possible Cause	Action To Take By Operator Or Operating Personnel
After a long permanent operating time, the heating switches off and on within minutes	Coil overheated, cooking area too hot Empty pan Pan with overheated oil	Switch cooker off, remove pan and wait until the cooking area has cooled off
Small metallic objects (e.g. spoon) are heated up on the cooking area	Pan detection circuit is defective	Ask your supplier for repair service

- ¹ To verify, if the pan is suitable, use a permanent magnet and find out if it sticks on the bottom of the pan. If not, your pan is not suitable for induction cooking. Choose a pan which is recommended for induction cooking. Choose pan material suitable for induction appliances.
- ² The cooling-system (fan) starts to operate when the ambient temperature in the control area exceeds 131°F/55°C. At heat temperatures higher than 158°F /70°C the controller automatically reduces the power to keep the unit in normal operating conditions. The cooker runs in a non continuous mode. This mode can be heard.

