

BLENDER #37

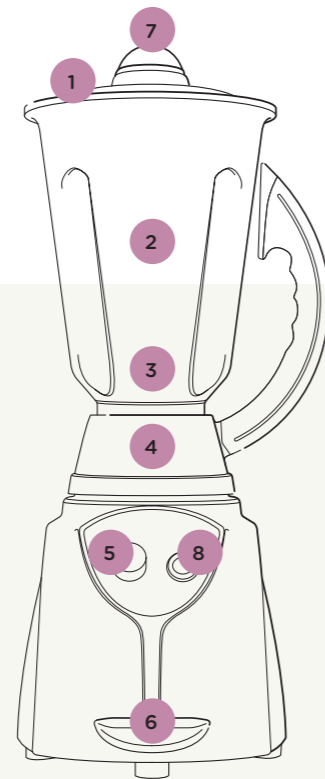


A kitchen Blender silent and powerful

Adapted to intensive use thanks to its powerful and silent commercial motor, it mixes all kind of hot and cold preparations.

Its new highly resistant blades crush quickly hard ingredients (ice cubes, lobster carcass...).

Its speed variation will allow you to obtain an optimal result while remaining silent.



Ref 37110

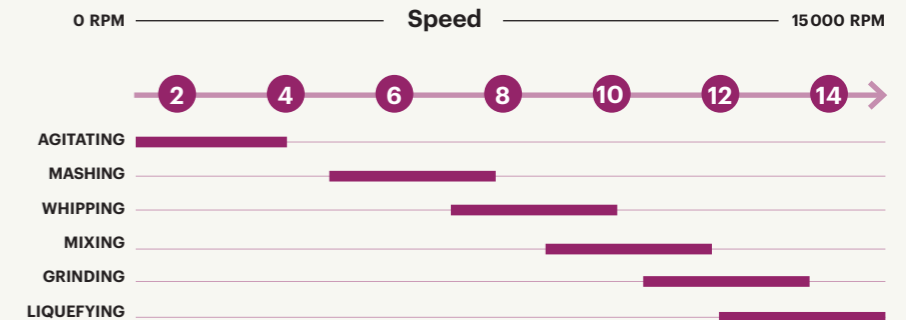
Option: Chef Stick

- 1 **Exclusive patent:** Santosafe® locking system for bowl and cover. Hands free use.
- 2 2L ou 4L bowls, stainless steel or transparent (without bisphénol A)
- 3 **Very resistant blades** offering a high quality blending and a better vortex. Knife assembly is ball bearings mounted.
- 4 Silent and durable coupling system kit **for intensive use**
- 5 On / Off rotary button. **Variable speed:** from 0 to 15 000 rpm
- 6 Handle to open and close **Santosafe® locking system**
- 7 Removable lid (ø 46 mm) to add ingredients **while blending**
- 8 **Pulse:** 18 000 rpm

A complete range of bowls for all uses



Choose the speed according to your preparations



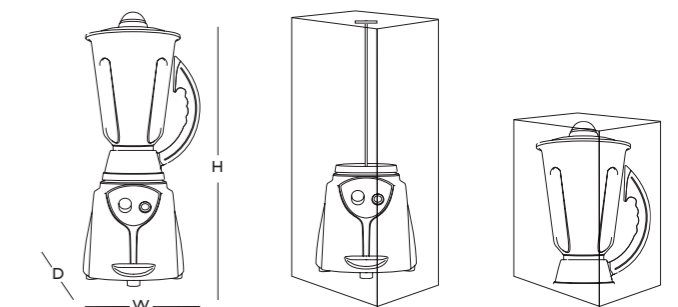
Safety, Standards, Hygiene

In accordance with the following regulations	Machinery directive 2006 / 42 / EC Electromagnetic compatibility 2014 / 30 / EU "Low voltage" directive 2014 / 35 / EU RoHS directive 2011 / 65 / EU Regulation 1935 / 2004 / EC (contact with food) Regulation 10 / 2011 / EU (Plastic in contact with food)
Harmonized European Standards	EN ISO 12100: 2010 EN 60204-1 + A1: 2009 EN 60335-2-64: 2004 Commercial electric kitchen machines CE Marking
Electrical safety	All mechanical parts are ground connected Appliances are 100% tested after assembly
Thermal Safety	Motor protected by internal thermal detector
Acoustic Safety	Silent and powerful motor
Hygiene	All removables parts can be put in a dishwasher or easily cleaned with hot soapy water

Technical specifications

Motor
Single phase:
220-240 V - 50/60 HzV - 600 W - CE

Speed:
1 500 rpm (50Hz)
1 800 rpm (60 Hz)



Appliance D: 310 mm (12") W: 210 mm (8") H: 560 mm (22")	Shipping box D: 400 mm (16") W: 280 mm (11") H: 650 mm (26")	Shipping box D: 240 mm (9") W: 360 mm (14") H: 220 mm (9")
Weight: 8,96 kg (19,75lbs)	Packed weight: 10,6Kg (23,37lbs)	

PRODUCT: 2 YEAR WARRANTY

**SANTOS
KITCHEN BLENDER #37**
From date: 11/2019
from serial number: 1123829

