



# E7 Series ice and water dispenser with Chewblet® ice machine

countertop and freestanding

## Features

Compact size, only 44.7 cm (17.59") tall to fit on counters under standard cabinets

3.2 kg (7 lb) ice storage capacity

Integral air-cooled ice machine with up to 54.4 kg (120 lb) daily production of popular Chewblet ice

- designed to serve up to 25 people (140 servings per 10 hr day<sup>1</sup>)
- soft, chewable, compressed nugget ice is preferred over cubes<sup>2</sup>
- environmentally responsible R134a refrigerant with zero ozone depletion potential
- energy saving sleep mode
- quiet production without noisy harvest cycles

Durable, attractive dispenser

- modern styling, stainless steel exterior with accent trim
- dispense-activated soft blue light illuminates point-of-use
- easy-to-clean, removable 590 ml (20 oz) drip tray
- dispenser top can support 16 kg (35 lb)

Designed with sanitation in mind

- Agion® silver-based antimicrobial product protection of key ice and water contact components<sup>3</sup>
- sanitary ice dispense reduces chance of contamination

Installation

- comes fully assembled
- two easy connections – electric and water
- drainless design allows dispenser to be placed anywhere a water line can be run and eliminates the cost of a drain installation

Warranty

- 2 years parts and labor, 5 years compressor parts

## Accessories

Base stand for converting countertop models (item# 00956292)

10.16 cm (4.00") leg kit for CI - countertop models (item# 00956300)

15.24 cm (6.00") leg kit for FS - freestanding models (item# 00956318)

Drip tray drain kit for countertop models (includes 10.16 cm (4.00") legs) (item# 00981977)

Drip tray drain kit for models other than countertop (item# 00956375)

Ice machine cleaning and sanitizing kit, single use (item# 00979856)

Cartridge, replacement 5 micron particle/carbon (item# 00968107)

Claris<sup>4</sup> hardness removal filtration system (item# 00986059)

NOTE: For use in applications with less than 400 mg/l total dissolved solids in water and less than 200 mg/l hardness (either naturally occurring or treated with reverse osmosis or other TDS reducing technology). Not recommended for use with softened water.



230 V 50 Hz – ice and water dispensers			
Ice storage capacity	Configuration	Filter*	Item number
3.2 kg (7 lb)	countertop ice and water	no filter	<b>E7CI100A-IW-NF-ST-00</b>
		internal	<b>E7CI100A-IW-CF-ST-00**</b>
	freestanding ice and water	no filter	<b>E7FS100A-IW-NF-ST-00</b>
		internal	<b>E7FS100A-IW-CF-ST-00</b>
	countertop ice-only	no filter	<b>E7CI100A-NW-NF-ST-00**</b>
		internal	<b>E7CI100A-NW-CF-ST-00</b>
	freestanding ice-only	no filter	<b>E7FS100A-NW-NF-ST-00</b>
		internal	<b>E7FS100A-NW-CF-ST-00</b>

\* Internal filter is a 5 micron particle and carbon filter.

\*\* E7CI100A-IW-CF-ST-00 and E7CI100A-NW-NF-ST-00 are also available from Pruszcz, Gdanski, Poland and include BSP fitting kit and backflow preventer.

Job

Item

**FOLLETT**  
Innovative solutions, inspired by ice



10%  
TOTAL RECOVERED FIBER  
ALL POST-CONSUMER FIBER

Paper certified by:  
The Forest Stewardship Council (FSC) and the Sustainable Forestry Initiative (SFI)

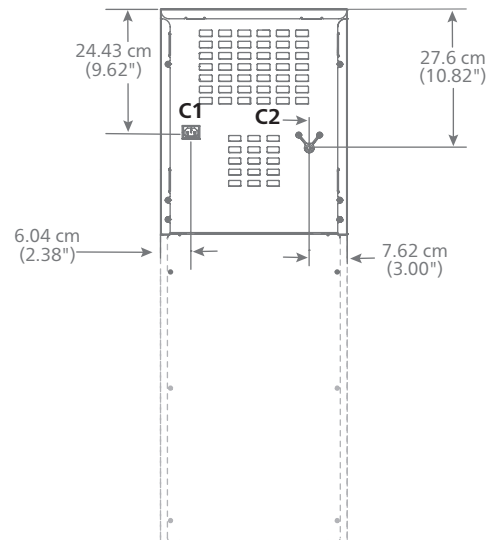
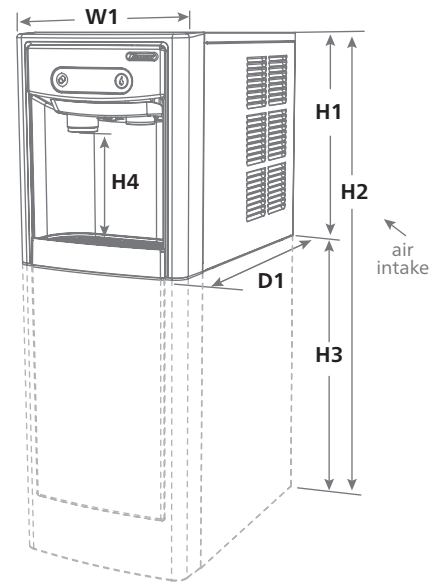
## Specification

Ice storage capacity	3.2 kg (7 lb)
<b>W1</b> Width	37.1 cm (14.62")
<b>D1</b> Depth	56.2 cm (22.12")
<b>H1</b> Height – countertop models	44.7 cm (17.59")
<b>H2</b> Height – freestanding models	106.7 cm (42.00")
<b>H3</b> Height, base stand	62.0 cm (24.41")
<b>H4</b> Dispense height clearance	21.59 cm (8.50")
Ventilation clearance	7.62 cm (3.00") on each side
Service clearance	7.62 cm (3.00") behind and on each side of dispenser
<b>C1</b> 230 V/50/1 electrical	5 amps. Connect to dedicated 10 amp circuit, fuse or breaker. Dispenser has IEC 60320-C13 connector in rear of dispenser for use with appropriate modular cord.
<b>C2</b> Water inlet	1/4" MPT
Air temperature	10 - 38 C (50 - 100 F)
Water temperature	4 - 32 C (40 - 90 F)
Water pressure	69 - 483 kpa (10 - 70 psi)
Ice production at 21 C (70 F) air and 10 C (50 F) water	54.4 kg (120 lb)
Ice production at 32 C (90 F) air and 21 C (70 F) water	40.8 kg (90 lb)
Energy consumption 32 C (90 F) air and 21 C (70 F) water	7.1 kWh per 45.4 kg (100 lb) ice
Heat rejection	498 W (1700 BTU/hr)
Water consumption	45.4 L (12 gal) of potable water per 45.4 kg (100 lb) of ice
Approximate shipping weight – countertop models	40.8 kg (90 lb)
Approximate shipping weight – freestanding models	54.4 kg (120 lb)

NOTE: For indoor use only. Designed for commercial use. Follett is not able to provide in-house services for residential installations.

SHORT FORM SPECIFICATION: (Choose one) \_\_\_ Ice and water or \_\_\_ ice-only dispenser to be Follett automatic load in (choose one) \_\_\_ countertop or \_\_\_ freestanding configuration, with 3.2 kg (7 lb) of storage. Environmentally responsible R134a ice machine to be air-cooled. Ice machine to produce approximately 54.4 kg (120 lb) of Chewblet compressed nugget ice at air temperature of 21 C (70 F) and water temperature of 10 C (50 F). Ice machine to be equipped with printed circuit board and diagnostics to allow simplified servicing and with capacitive touch user interface. Storage area to be insulated with non-CFC, high density foam-in-place polyurethane. 230 V/50/1. Dispenser has IEC 60320-C13 connector in rear of dispenser for use with appropriate modular cord. Dispenser to be CE listed. Total dissolved solids in water not to exceed 400 mg/l (ppm) and hardness not to exceed 200 mg/l (ppm).

## Dimensional drawing



- 1 473 ml (16 oz) cups, 2/3 full of ice
- 2 Independent third party studies. Contact Follett for details.
- 3 Disclaimer: Antimicrobial protection is limited to the treated components and does not treat water or ice.
- 4 Claris is a registered trademark of the Aquis GmbH in Switzerland.  
Agion is a registered trademark of Sciessent LLC.  
Chewblet and Follett are registered trademarks of Follett Corporation, registered in the US.  
Follett reserves the right to change specifications at any time without obligation. Certifications may vary depending on country of origin.

## E7 Series countertop and freestanding