



Modular Cooking Range Line

HSG Panini

603601 (HSPPEU)

HSG Panini Grill –
400V/3ph/50Hz

Short Form Specification

Item No. _____

The Electrolux HSG Panini is the fastest sandwich grill in the world. Using breakthrough Microwaves in combination with Infrared technology, cooking times can be reduced up to 75% while delivering superior sandwich quality by combining simultaneously infrared radiation, contact plates and microwaves. You can perfectly toast and warm up the core of your favourite panini for a great tasting, hot and crispy sandwich in less than 60 seconds.* Just place your sandwich on the cooking surface and close the lid. The HSG will self adapt the upper grilling plate and automatically open the lid for you when the sandwich is ready. When not in operation, the HSG will automatically enter in stand by mode reducing the energy consumption.

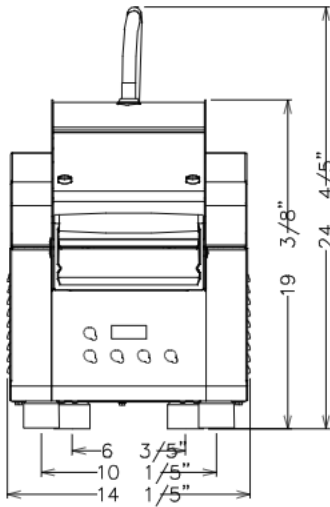
*Depending on the cooking mass.

Construction

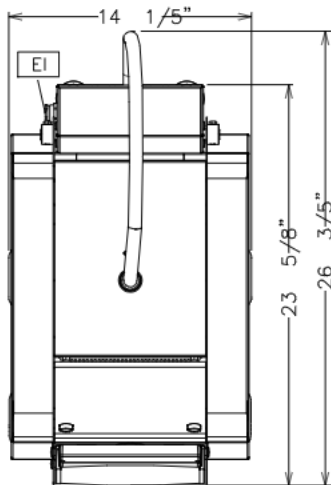
- AISI 304 S/S lid and top plate.
- AISI 430 S/S back cover and galvanized steel bottom cover.
- Painted steel side panels.
- Aluminum ribbed top contact plate (215 x 215 mm) treated with a special non-stick coating.
- Self adjusting top plate to grill sandwiches from 10 up to 75 mm thick.
- Smooth 4 mm thick quartz glass bottom cooking surface (250 x 250 mm).
- Supervisor mode to program up to 4 cooking cycle.
- Independent temperature setting of the top and bottom plates from 150 to 250 °C (top) and from 150 to 230 °C (bottom).
- Automatic holding and opening system controlled by an electromagnet.
- Automatic lifting of the lid at the end of the cooking cycle via gas spring.
- Electronic control with digital LED display.
- Countdown display and buzzer at the end of the cycle.
- 2 temperature probes for an independent control of the top and bottom plate temperature.
- 900W MICA heating element on the top plate.
- 900W electrical armored heating elements on the bottom plate.
- 2 x 900W magnetrons for microwave.
- Side louvres for efficient cooling ventilation.
- Ergonomic aluminum handle with plastic grip.
- Removable top front panel and dismountable top cooking plate for better cleanability.
- 4 pre-loaded Programs (default):
 - P1 = 30 sec. (20 sec. MW)
 - P2 = 40 sec. (30 sec. MW)
 - P3 = 50 sec. (40 sec. MW)
 - P4 = 59 sec.
- The 4 pre set programs can be adjusted by the user. The programmable parameters are:
 - top plate temperature (trt)
 - bottom plate temperature (trb)
 - total duration of each cycle (tCYx)
 - duration of microwaves within each cycles (tW)
- Included accessories: cleaning brush; set of 30 baking paper sheets; spatula; scraper, 1 lt of detergent; spray bottle for detergent.

APPROVAL: _____

Front

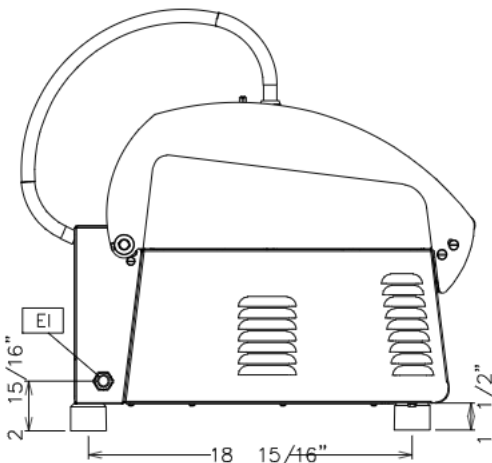


Top



EI = Electrical connection
V = Air vents

Side



Electric

Supply voltage:
603601(HSPPEU) 400 V/3N ph/50 Hz
Total Watts: 5 kW

Installation

Clearance: - 1" (25 mm) rear
- 8" (200 mm between units when placed side by side)

Key Information

External dimensions, Height	630 mm
External dimensions, Width	361 mm
External dimensions, Depth	675 mm
External dimensions, Weight	36 kg
Cooking plate dimensions: Top plate	215x215 mm
Cooking plate dimensions: Bottom plate net	215x215 mm
Net weight:	36 kg
Shipping weight:	54 kg
Shipping height:	630 mm
Shipping width:	361 mm
Shipping depth:	675 mm
Shipping volume:	0.15 m ³