

Customer/Wholesaler:	Date:	Job Name:	Model Specified:	Quantity:
Contractor:		Architect/Engineer:		

MODEL:

3041 FAUCET DIPPERWELL SINK

OPTIONS OR MODIFICATIONS:

OTHER \_\_\_\_\_

FEATURES:

DIPPERWELL FAUCET  
\* STAINLESS STEEL SEAT

DIPPERWELL SINK  
\* STAINLESS STEEL PAN  
\* REMOVABLE INNER SHELL

SYSTEM LIMITS

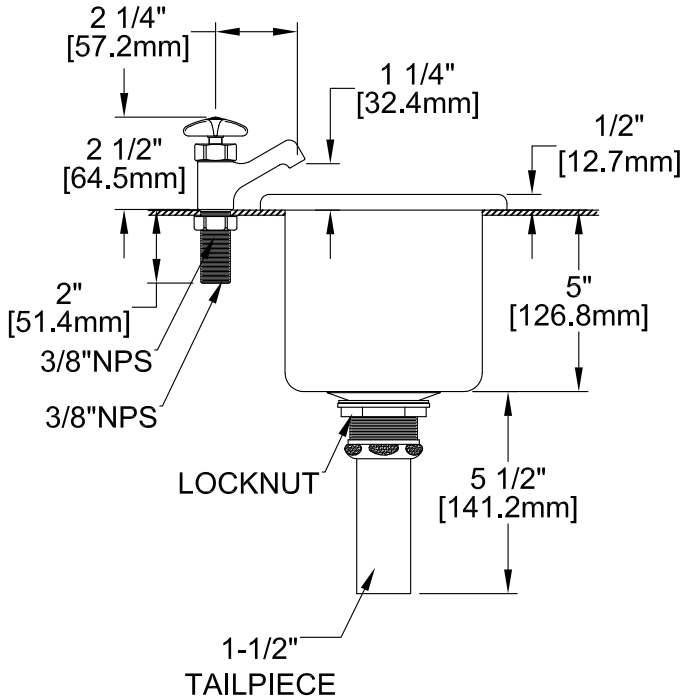
- \* TEMP: 40°F MIN. TO 160°F MAX.
- \* PRESSURE: 100 PSI MAX. STATIC
- \* 2.1 GPM AT 60 PSI (7.9 L/min @410 KPa)

SHIPPING WEIGHT

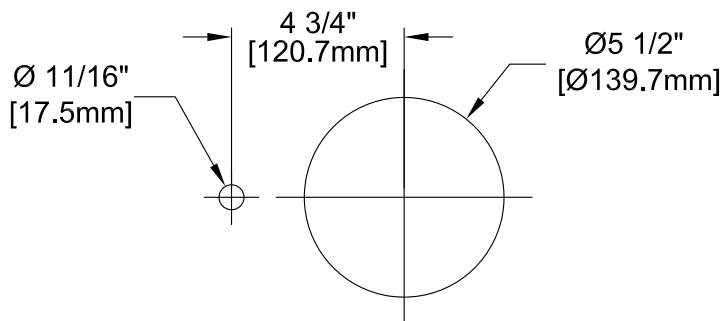
- \* 3.5 LBS

PRODUCT COMPLIANCE:

- \* ASME A112.18.1 / CSA B125.1
- \* NSF 61 - Section 9
- \* NSF 372 (Low Lead Content)



ROUGH-IN:



## REPLACEMENT PARTS

