

Vertical Contact Toaster | VCT



VCT-1000



VCT-1000
with motorized
butter wheel
and angled bun
feeder

For more than 25 years, the Vertical Contact Toaster has been a staple in foodservice operations, building a reputation for quality, performance, and reliability throughout the world.

The Vertical Contact Toaster gives buns a consistent, golden brown finish so they don't soak up the juices of the ingredients, helping the sandwich stay firm and delicious. With a dual-sided platen, the Vertical Contact Toaster has more capacity than conventional single-sided toasters, allowing operations to quickly serve fresh products to customers without making them wait.

The VCT-1000 model features a dial thermostat for adjusting the quality of the toast for a variety of different bread products. Available preset toast times range from 10 seconds to 28 seconds to keep up with the demand of any sized operation.

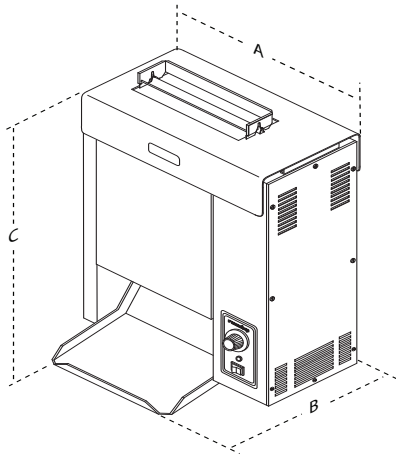
Additional features available for the VCT-1000 include a motorized butter wheel, bun feeder, and belt wraps to minimize bun marking.

FEATURES

- Dual-sided platen for additional toasting capacity compared to conventional single-sided toasters.
- Easy-to-adjust dial thermostat.
- Space-saving vertical design.
- Continuously moving conveyor allows for immediate toasting.
- Separate compression adjustments for heel and crown.
- Release sheets allow buns to move easily down the heated platen without sticking or slipping.
- Easy to operate and clean.
- Available toasting times range from 10 to 28 seconds.
- Stainless steel construction.

Vertical Contact Toaster | VCT

Dimensions



Model & Mfg. No.	Width (A)	Depth (B)	Height (C)
VCT-1000 9210700			
9210702	21 1/4"	15 1/4"	24 1/4"
9210704	(540 mm)	(387 mm)	(616 mm)
9210707			
9210710			
VCT-1000 9210709	21 1/4"	15 1/4"	23 1/4"
9210714	(540 mm)	(387 mm)	(591 mm)
VCT-1000 9210719	21 1/4"	15 1/4"	29 3/4"
	(540 mm)	(387 mm)	(756 mm)

Shipping Dimensions

Model & Mfg. No.	Height	Width	Depth	Weight
VCT-1000 9210700				
9210702				
9210704	33"	26"	17"	81 lbs.
9210707	(838 mm)	(660 mm)	(431 mm)	(38 kg)
9210709				
9210710				
9210714				
VCT-1000 9210719	25"	28"	20"	94 lbs.
	(635 mm)	(711 mm)	(508 mm)	(43 kg)

Specifications

Model & Mfg. No.	Pass Through Time	Volts	Watts	Amps	Hertz	Plug Description
------------------	-------------------	-------	-------	------	-------	------------------

Without Belt Wraps

VCT-1000 9210700	10 sec.	120	1800	15	50/60	NEMA 5-15P 15 Amp, 120 Volt
VCT-1000 9210702	10 sec.	208- 240	2600- 3455	12.5- 14.4	50/60	NEMA 6-20P 20 Amp, 250 Volt
VCT-1000 9210704	10 sec.	208- 240	2600- 3455	12.5- 14.4	50/60	IEC-309 16 Amp., 250 Volt Pin & Sleeve
VCT-1000 9210707	28 sec.	208- 240	2550- 3394	12.3- 17.8	50/60	IEC-309 16 Amp., 250 Volt Pin & Sleeve
VCT-1000 9210709	28 sec.	208- 240	2600- 3455	12.5- 14.4	50/60	NEMA 6-20P 20 Amp, 250 Volt
VCT-1000 9210712	10 sec.	220- 240	1775- 2125	8.07- 8.85	50	CEE 7/7 16 Amp, 250 Volt
VCT-1000 9210714	17 sec.	208- 240	2600- 3455	12.5- 14.4	50/60	NEMA 6-20P 20 Amp, 250 Volt

With Belt Wraps

VCT-1000 9210710	10 sec.	208- 240	2600- 3455	12.5- 14.4	50/60	IEC-309 16 Amp, 250 Volt Pin & Sleeve
---------------------	---------	-------------	---------------	---------------	-------	---

With Motorized Butter Wheel and Bun Feeder without Belt Wraps

VCT-1000 9210719	15 sec.	208- 240	2600- 3455	12.5- 14.4	50/60	NEMA 6-20P 20 Amp, 250 Volt
---------------------	---------	-------------	---------------	---------------	-------	--------------------------------

Bun Specifications

Feeder Opening	Crowns		Heels		
	Min.	Max.	Min.	Max.	
1 1/2" (38 mm)	1/2" (13 mm)	7/8" (22 mm)	1 1/2" (38 mm)	1/2" (13 mm)	7/8" (22 mm)

Accessories

Bun Feeder (P/N 7000236): An automatic gravity-fed bun feeder.

Butter Wheel (P/N 7000238): Stainless steel butter wheel and pan.

Low-Profile Bun Feeder (P/N 7000292): Low profile bun feeder allows for quick and easy loading of buns into the toaster.

Angled Bun Feeder (P/N 7001523): An angled automatic gravity-fed bun feeder (depicted above).

P/N 1020230 12/17