

Vector® H Series Multi-Cook Oven

UL-Listed

ALTO-SHAAM

Providing an unmatched volume and variety of food, Vector H Series countertop models are specifically designed for foodservice operations where space is at a premium but food demand is high.

Featuring up to four independent oven chambers, operators can control the temperature, fan speed and cook time in each individual chamber for maximum flexibility – simultaneously cooking a variety of menu items with no flavor transfer.

Exclusive Structured Air Technology® delivers focused heat for faster, more even cooking and consistent, high-quality results.

Reduce labor by eliminating extra steps in food production and the need to watch and rotate pans.

Place anywhere with a small, 21" [533mm] footprint and ventless, waterless operation.

Custom colors available for enhanced branding and a front-of-house experience for customers.

An advanced control – designed intentionally simple – features an intuitive, user-friendly interface and programmable recipes to ensure consistency with each cook.

ChefLinc™, cloud-based remote oven management software, streamlines processes and maximizes profits with data-driven insights [deluxe control only].

ISO 9001:2015-certified

Standard Features

- Programmable, touchscreen control
- Easy recipe upload/download via USB port
- UL-listed ventless catalytic converter
- Double-pane glass door
- One [1] wire stainless steel rack and two [2] jet plates per cooking chamber
- 4" [102mm] adjustable legs
- Cord and plug on 208-240V models [except Canada]



- 2** VMC-H2: 2 shelf, 2 half-size sheet pans—18" x 13" x 1" [2 GN 2/3 pans—354mm x 325mm x 25mm]
- 3** VMC-H3: 3 shelf, 3 half-size sheet pans—18" x 13" x 1" [3 GN 2/3 pans—354mm x 325mm x 25mm]
- 4** VMC-H4: 4 shelf, 4 half-size sheet pans—18" x 13" x 1" [4 GN 2/3 pans—354mm x 325mm x 25mm]
- 2** VMC-H2H: 2 shelf, 2 full-size hotel pans—20-3/4" x 12-3/4" x 4" [2 GN 1/1 pans - 530mm x 325mm x 100mm] or 2 half-size sheet pans—18" x 13" x 1" [2 GN 2/3 pans—354mm x 325mm x 25mm]
- 3** VMC-H3H: 3 shelf, 3 full-size hotel pans—20-3/4" x 12-3/4" x 4" [3 GN 1/1 pans—530mm x 325mm x 100mm] or 3 half-size sheet pans—18" x 13" x 1" [3 GN 2/3 pans—354mm x 325mm x 25mm]
- 4** VMC-H4H: 4 shelf, 4 full-size hotel pans—20-3/4" x 12-3/4" x 4" [4 GN 1/1 pans—530mm x 325mm x 100mm] or 4 half-size sheet pans—18" x 13" x 1" [4 GN 2/3 pans—354mm x 325mm x 25mm]



VMC-H4 VMC-H3 VMC-H2

Configurations (select one)

Models

These models accommodate a half-size sheet pan

- VMC-H2 VMC-H3
- VMC-H4

These models accommodate a full-size hotel pan

- VMC-H2H VMC-H3H
- VMC-H4H

Control

- Deluxe Simple

Door swing

- Right hinged Left hinged

Electrical

VMC-H2/H2H

- 208-240V, 1PH, with cord and plug
- 208-240V, 1PH, no cord, no plug (Canada)
- 220-240V, 1PH, no cord, no plug
- 380-415V, 3PH, no cord, no plug

VMC-H3/H3H

- 208-240V, 1PH, with cord and plug
- 208-240V, 1PH, no cord, no plug (Canada)
- 208-240V, 3PH, with cord and plug
- 208-240V, 3PH, no cord, no plug (Canada)
- 220-240V, 1PH, no cord, no plug
- 380-415V, 3PH, no cord, no plug

VMC-H4/H4H

- 208-240V, 3PH, with cord and plug
- 208-240V, 3PH, no cord, no plug (Canada)
- 380-415V, 3PH, no cord, no plug

Accessories (select all that apply)

Casters and legs

- 3" (76mm) casters, set of four (4) (5027946)

Cookware

- Jet plate assembly, half-size sheet pan (5025235)
- Jet plate assembly, hotel pan (5025236)
- Wire shelf, half-size sheet pan (SH-37662)
- Wire shelf, hotel pan (SH-39077)
- Wire shelf, hotel pan w/pan holder (SH-39543)
- Fry basket (BS-46316)
- French fry basket 12" x 20" (325mm x 529mm) (BS-26730)

Cleaning

- Alto-Shaam® non-caustic cleaner, one (1) bottle (CE-46828)
- Alto-Shaam® non-caustic cleaner, case of six (6) bottles (CE-46829)

Grease filters

- Internal chamber filters—order one (1) kit per chamber (5027119)

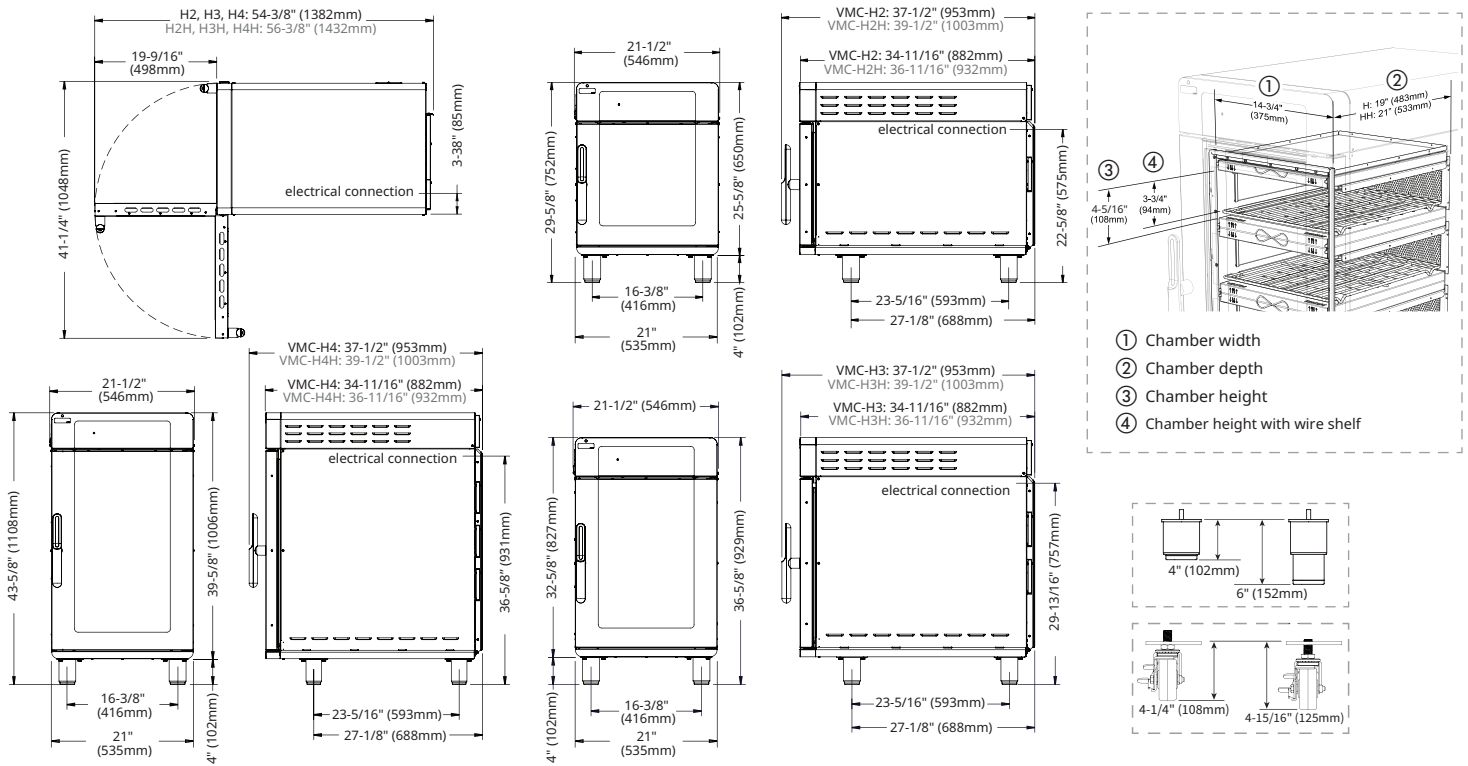


IP X4



Vector® H Series Multi-Cook Oven

Specification



DIMENSIONS

Model	Exterior (H x W x D)	Interior (H x W x D)	Net Weight
VMC-H2	29-5/8" x 21-1/2" x 37-1/2" [752mm x 546mm x 953mm]	14-3/8" x 14-11/16" x 19" [366mm x 373mm x 483mm]	209 lb [95 kg]
VMC-H2H	29-5/8" x 21-1/2" x 39-1/2" [752mm x 546mm x 1003mm]	14-3/8" x 14-11/16" x 21-1/2" [366mm x 373mm x 546mm]	213 lb [97 kg]
VMC-H3	36-5/8" x 21-1/2" x 37-1/2" [929mm x 546mm x 953mm]	21-3/8" x 14-11/16" x 19" [544mm x 373mm x 483mm]	272 lb [123 kg]
VMC-H3H	36-5/8" x 21-1/2" x 39-1/2" [929mm x 546mm x 1003mm]	21-3/8" x 14-11/16" x 21-1/2" [544mm x 373mm x 546mm]	278 lb [126 kg]
VMC-H4	43-5/8" x 21-1/2" x 37-1/2" [1108mm x 546mm x 953mm]	28-3/8" x 14-11/16" x 19" [721mm x 373mm x 483mm]	341 lb [155 kg]
VMC-H4H	43-5/8" x 21-1/2" x 39-1/2" [1108mm x 546mm x 1003mm]	28-3/8" x 14-11/16" x 21-1/2" [721mm x 373mm x 546mm]	348 lb [158 kg]

Model	Ship Dimensions (L x W x H)*	Ship Weight*
VMC-H2/H	48" x 29" x 56" [1219mm x 737mm x 1422mm]	291 lb [132 kg]
VMC-H3/H	48" x 29" x 56" [1219mm x 737mm x 1422mm]	375 lb [170 kg]
VMC-H4/H	48" x 29" x 56" [1219mm x 737mm x 1422mm]	425 lb [193 kg]

*Domestic ground shipping information. Contact factory for export weight and dimensions.

Vector® H Series Multi-Cook Oven



Top: 2" [51mm]*
 Left: 2" [51mm]
 Right: 2" [51mm]
 Front: 20" [508mm]
 Back: 2" [51mm]

* 18" [457mm] recommended for service access



CHECK FIRST

- The oven must be installed level.
- The oven must not be installed in any area where it may be affected by steam, grease, dripping water, high temperatures, or any other severely adverse conditions.
- Oven not intended for built-in installation.



HEAT

Heat of rejection

VMC-H	Heat Gain qs, BTU/hr	Heat Gain qs, kW
	1,898	0.56



TEMPERATURE

Maximum temperature: 525°F [274°C]



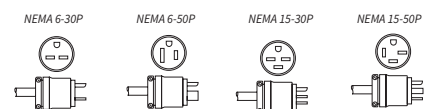
ELECTRIC

VMC-H2/VMC-H2H	V	Ph	Hz	Awg	IEC	A	Breaker [A]	kW	Plug Configuration**	Certification
208-240V	208	1	60	8	—	25	30*	5.2	NEMA 6-30	
	240	1	60	8	—	28	30*	6.7	NEMA 6-30	
220-240V	220	1	50/60	—	4	25	32*	5.4	No cord, no plug	
	240	1	50/60	—	4	28	32*	6.4	No cord, no plug	
380-415V	380	3	50/60	—	1.5	8	16	5.4	No cord, no plug	
	415	3	50/60	—	1.5	9	16	6.4	No cord, no plug	
VMC-H3/VMC-H3H										
208-240V	208	1	60	6	—	38	50*	7.9	NEMA 6-50	
	240	1	60	6	—	43	50*	10.3	NEMA 6-50	
208-240V	208	3	60	10	—	22	30	7.9	NEMA 15-30P	
	240	3	60	10	—	25	30	10.3	NEMA 15-30P	
220-240V	220	1	50/60	6	10	37	63	8.1	No cord, no plug	
	240	1	50/60	6	10	41	63	9.6	No cord, no plug	
380-415V	380	3	50/60	—	1.5	13	16	8.1	No cord, no plug	
	415	3	50/60	—	1.5	14	16	9.6	No cord, no plug	
VMC-H4/VMC-H4H										
208-240V	208	3	60	6	—	32	40	10.6	NEMA 15-50P	
	240	3	60	6	—	36	40	13.9	NEMA 15-50P	
380-415V	380	3	50/60	—	4	17	32	10.8	No cord, no plug	
	415	3	50/60	—	4	18	32	12.7	No cord, no plug	

Electrical connections must meet all applicable federal, state, and local codes.

* For use on individual branch circuit only.

** No cord, no plug, in Canada.

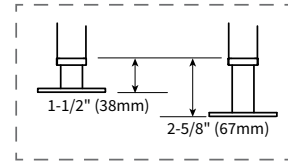
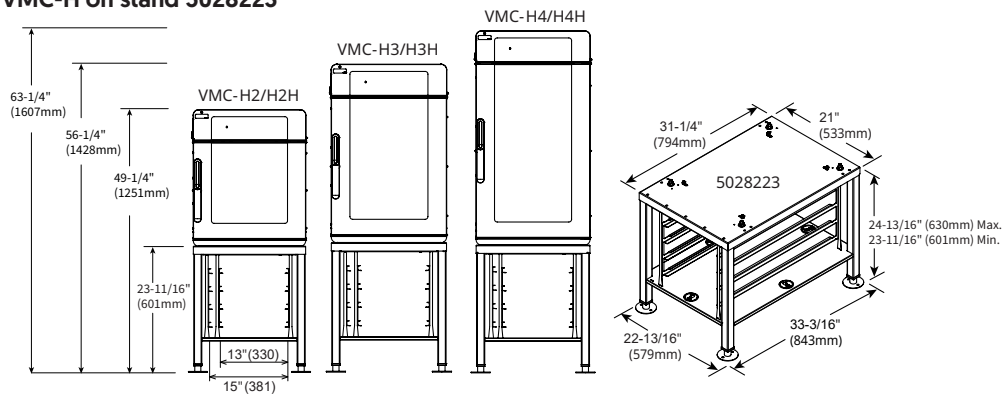


Vector® H Series Multi-Cook Oven



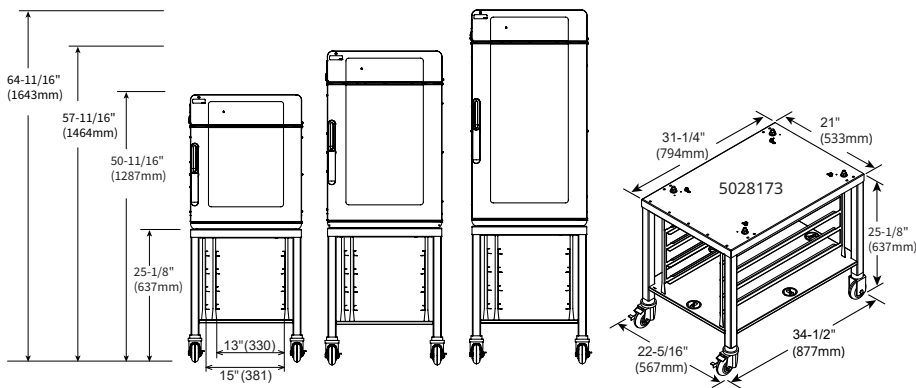
Stacked Configurations and Stands

VMC-H on stand 5028223

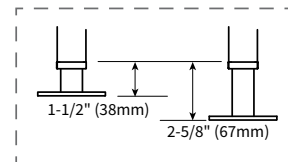
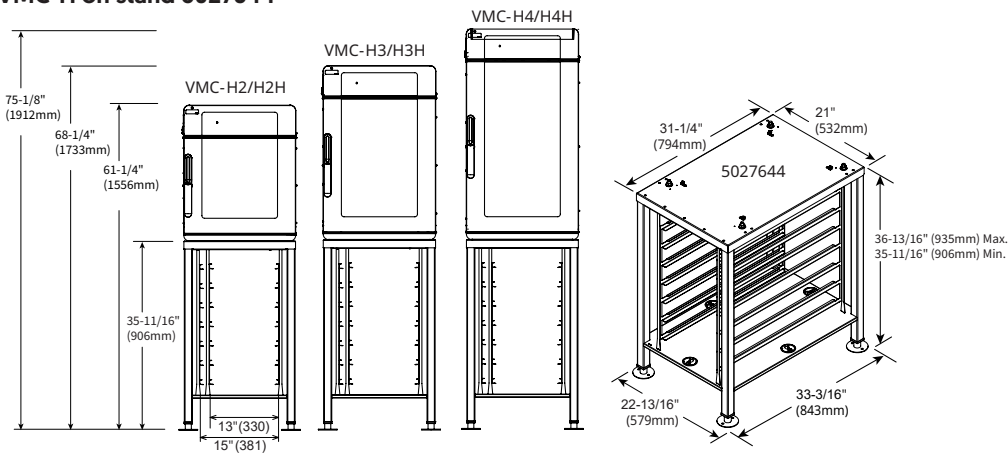


Dimensions shown are with adjustable feet at minimum height.

VMC-H on stand 5028173



VMC-H on stand 5027644



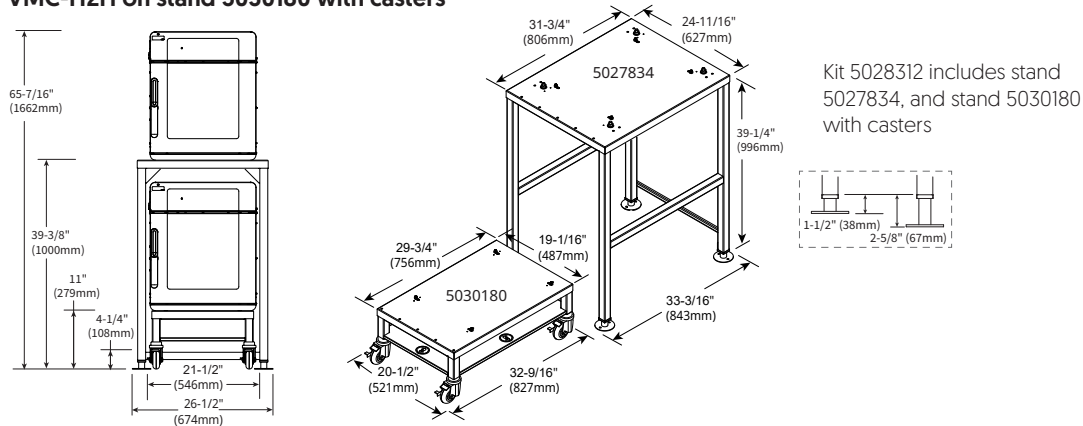
Dimensions shown are with adjustable feet at minimum height.

Vector® H Series Multi-Cook Oven



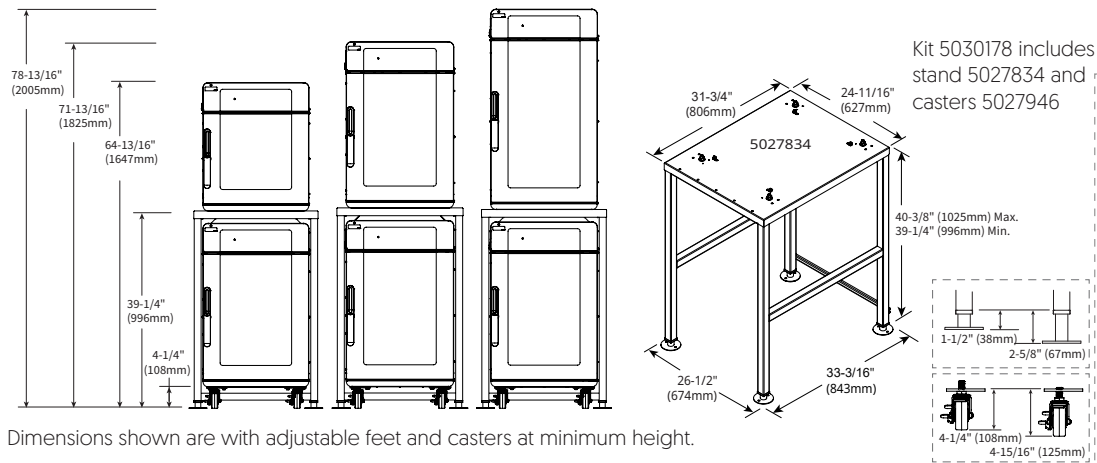
Stacked Configurations and Stands

VMC-H2 on stand 5027834 over VMC-H2 or VMC-H2H on stand 5030180 with casters



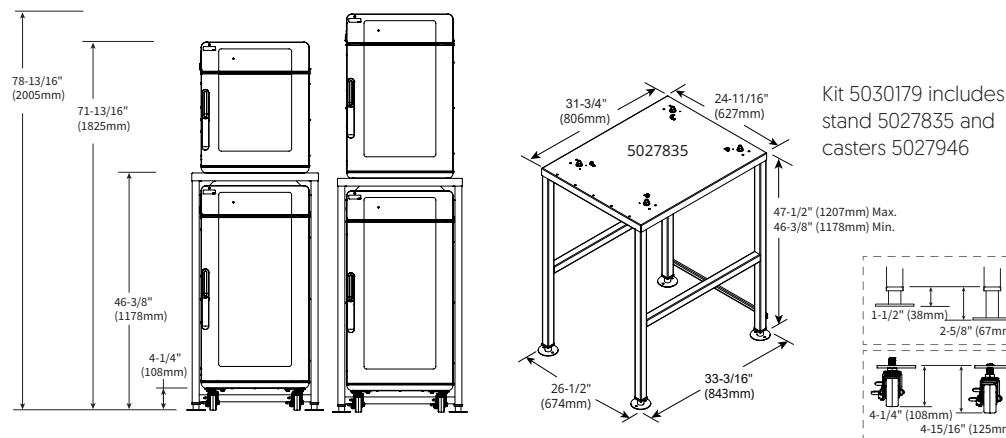
Dimensions shown are with adjustable feet at minimum height.

VMC-H on stand 5027834 over VMC-H3 or VMC-H3H with casters



Dimensions shown are with adjustable feet and casters at minimum height.

VMC-H2, VMC-H2H, VMC-H3, or VMC-H3H on stand 5027835 over VMC-H4 or VMC-H4H (a VMC-H4 or VMC-H4H cannot be stacked on top of this stand)



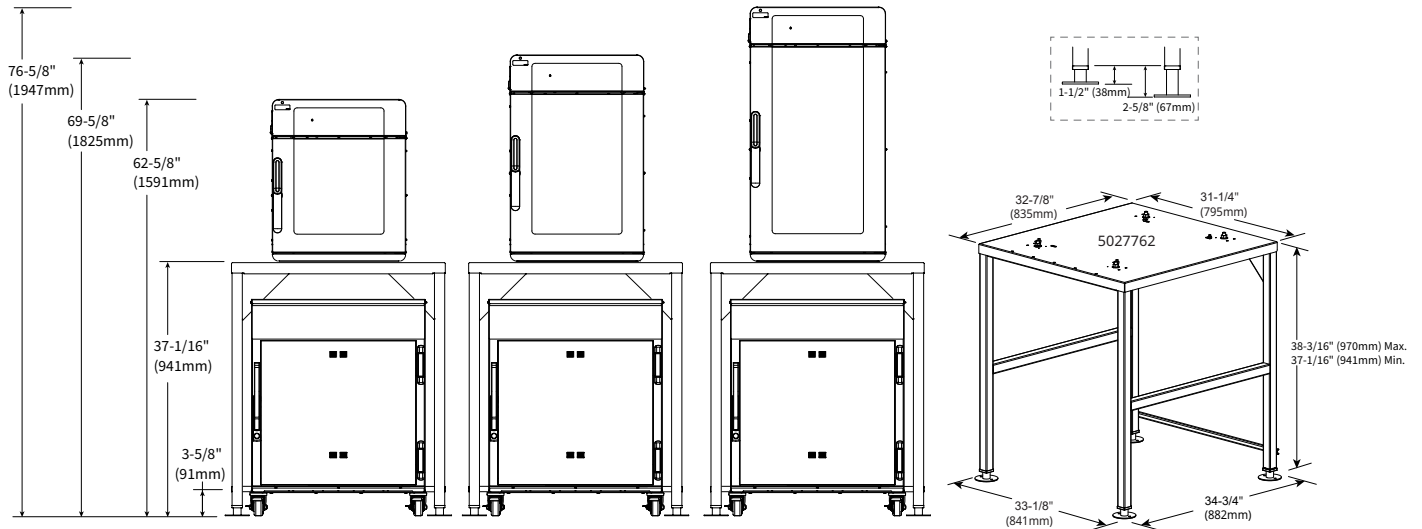
Dimensions shown are with adjustable feet and casters at minimum height.

Vector® H Series Multi-Cook Oven



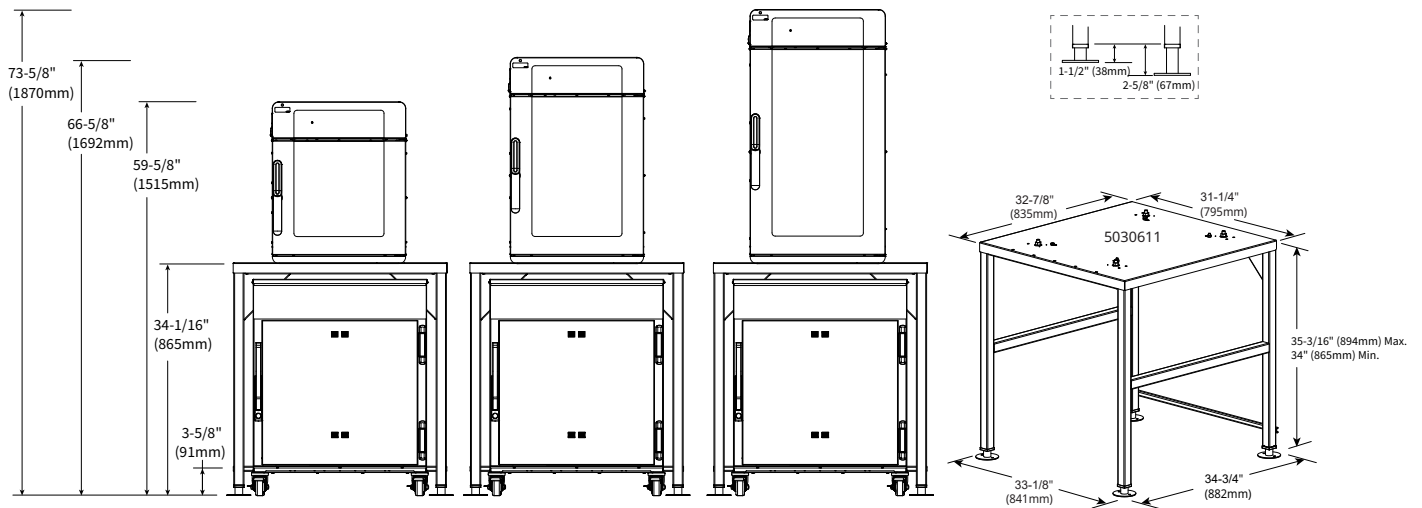
Alternative Stacked Configurations and Stands

VMC-H on stand 5027762 over 750-S, 750-TH/II, 750-TH/III, or 767-SK/III*



Dimensions shown are with adjustable feet at minimum height.
 *Smoker models must be under a hood.

VMC-H on stand 5030611 over 750-S, 750-TH/II, 750-TH/III, or 767-SK/III*



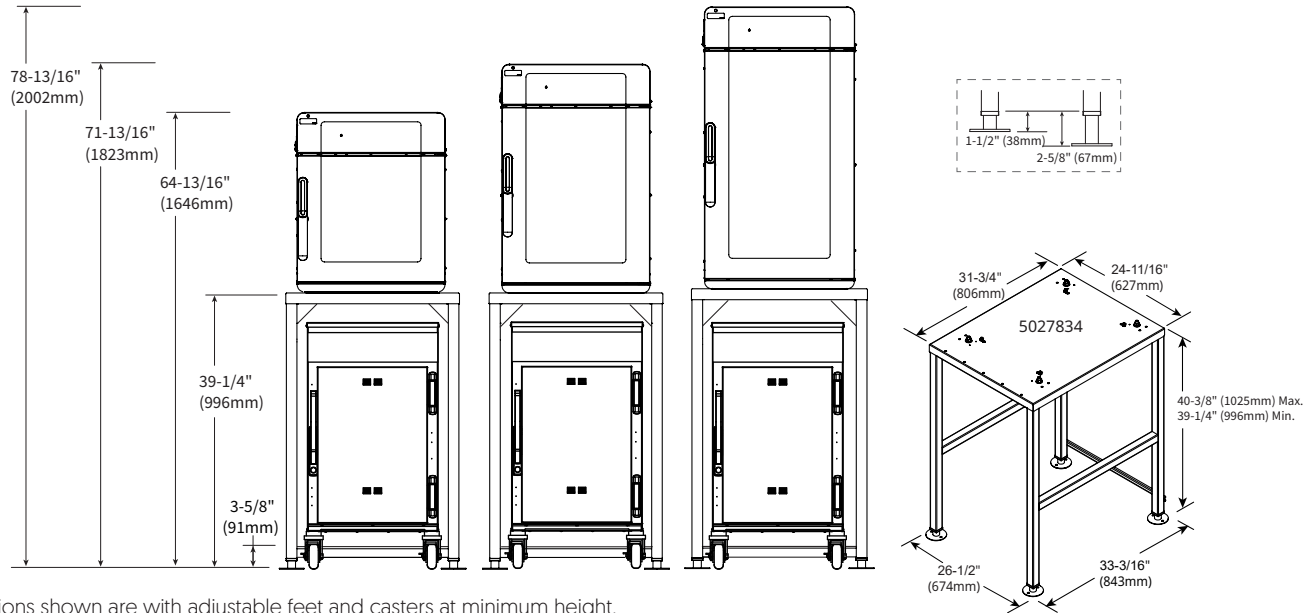
Dimensions shown are with adjustable feet at minimum height.
 *Smoker models must be under a hood.

Vector® H Series Multi-Cook Oven



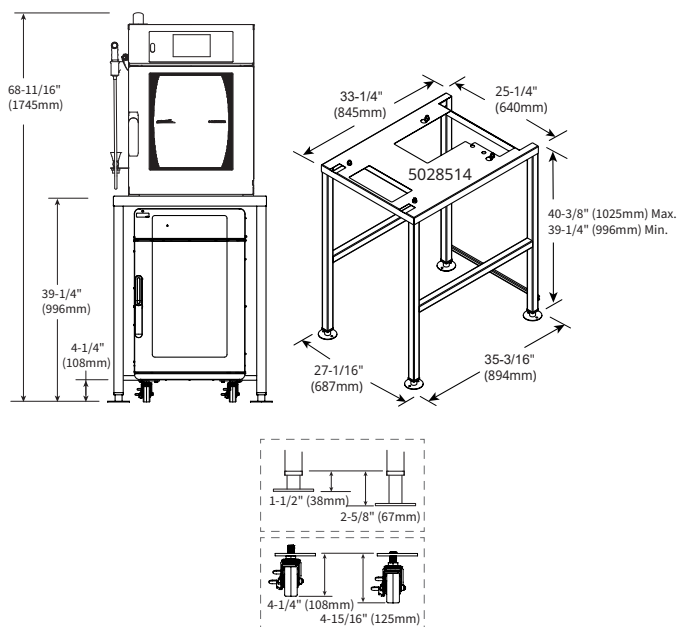
Alternative Stacked Configurations and Stands

VMC-H on stand 5027834 over 500-S, 500-TH/II, or 500-TH/III

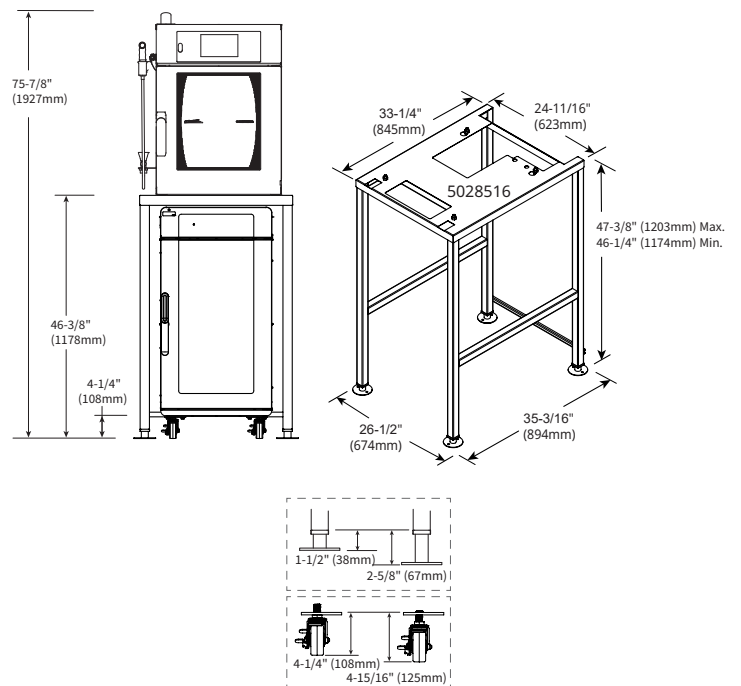


Dimensions shown are with adjustable feet and casters at minimum height.

CTX4-10 on stand 5028514 over VMC-H3 or VMC-H3H



CTX4-10 on stand 5028516 over VMC-H4 or VMC-H4H



Dimensions shown are with adjustable feet and casters at minimum height.

CONTACT US

W164 N9221 Water Street | Menomonee Falls, Wisconsin 53051 | U.S.A.
 Phone: 262.251.3800 | 800.558.8744 U.S.A./Canada | Fax: 262.251.7067 | alto-shaam.com