

➤ Bread slicers



Scan me and download
all the technical datasheets
of the range!

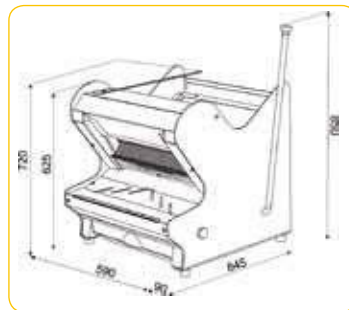


P. 186-187 Table bread slicers
P. 188-189 Semi-auto and automatic ranges
P. 190 Duo bread slicer
P. 190 Options

Semi-auto table bread slicer

- Colour : white RAL N°9010, other colours on request with extra cost
- Bread loading : from the top
- Cutting width: 450 mm
- Slice thickness: 11 mm standard (Other thicknesses possible : 9 to 18 mm - Please notify at the order - delivery time Ex-Works SOFINOR SAS : 8 weeks)
- Maximum height of the bread: 18 cm - Bread bowl: Ø 30 cm
- Complying with the machine European Directive 2006/42/CE
- Semi-automatic system with starting when actionning the lever
- Safety device: emergency stop located on the side
- Electric supply: 3-phase 380 V or single phase 230 V (to be confirmed at the order)
- In case of positioning on a furniture, provide reinforcements on it

>> Semi-auto (with lever)



Designation	Power	Kg	Ref.
Three-phase 380 V	490 W	105	BY45T
Single phase 220 V	490 W	105	BY45T2

>> Table on wheels with lower shelf (optional)

- In stainless steel frame 30 x 30 mm
- On wheels
- With bottom shelf



Designation	L x W x H mm	Kg	Ref.
Table on wheels with lower shelf	583 x 579 x 633	11	BYPCTR

Table bread slicers

- Colour : white (RAL 9010), red (RAL 3013), black (RAL 9005) or grey (RAL 9006)
- Bread loading: from the top
- Cutting width: 450 mm
- Slice thickness: 11 mm standard (Other thicknesses possible : 9 to 18 mm – Please notify at the order – delivery time Ex-Works SOFINOR SAS : 8 weeks)
- Maximum height of the bread: 18 cm -

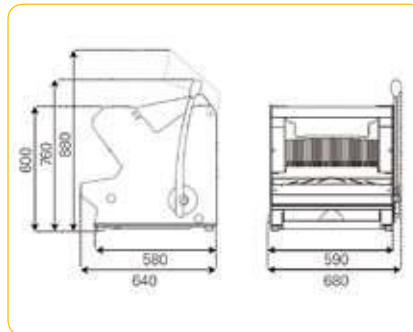
- Bread bowl: Ø 30 cm
- The automatic table model is delivered with a safety plexiglass rear cover starting and stopping the machine.
- A digital display warns the user of the best moment to change the blades (on automatic model only).
- Complying with the machine European Directive 2006/42/CE

- Semi-automatic system with starting when actionning the lever
- Safety device: emergency button on the side
- Electric supply: 3-phase 380 V or single phase 230 V (to be confirmed at the order)
- In case of positioning on a furniture, provide reinforcements on it

>> Semi-auto (with lever)



BY45TX



Designation	Power	Kg	Ref.
Three-phase 380 V	490 W	105	BY45TX
Single phase 230 V	490 W	105	BY45TX2

OPTION

Top plexi safety cover

>> Automatic (without lever)



BY45TAX + BYPCTR

Designation	Power	Kg	Ref.
Three-phase 380 V	490 W	105	BY45TAX
Single phase 230 V	490 W	105	BY45TAX2

OPTION

	Kg	Ref.
Support on wheels with lower shelf in stainless steel frame 30 x 30 mm	11	BYPCTR

Table breadslicer for baguette or buns



- The table breadslicer for baguettes with 3 adjustments allow to slice a lot of different breads.



New motor with fan

- Height and Depth of cut are adjustable and allow to adjust the blade according to the width of the baguette (stick of French bread).

Designation	Power	Kg	Ref.
Single phase 230 V	370 W	35	BYB



Options page 189

Range *Byzance*

- Colour : white RAL N°9010, other colours on demand with extra cost
- Bread loading: from the back
- Cutting width: 450 mm
- Slice thickness: 11 mm standard (Other thicknesses possible : 9 to 18 mm – Please notify at the order – delivery time Ex-Works SOFINOR SAS : 8 weeks)
- Maximum height of bread : 16 cm - Maximum size of round bread : Ø 33 cm
- Complying with the machine European Directive 2006/42/CE
- Semi-automatic system with starting when actionning the lever
- Safety device: emergency stop located on top front
- Electric supply: 3-phase 380 V or single phase 230 V (to be confirmed at the order)
- Blade tension by screw



Removable hood: easy to change blades and perform maintenance

Hidden frame = safer use

>> Semi-auto (with lever)



BY45



Available within 48h

Designation	Power	Kg	Ref.
Three-phase 380 V	550 W	131	BY45*
Single phase 230 V	550 W	131	BY45(2)

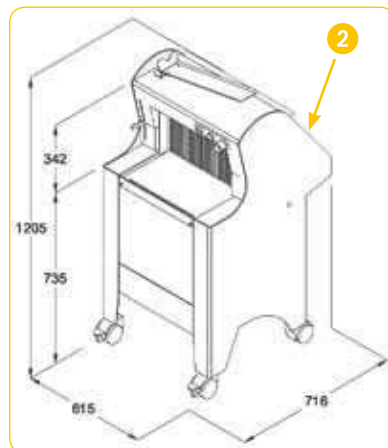
* BY4511 (= BY45 in 11 mm)

>> Automatic (without lever)

- Started by pressing a button
 - Complying with the NF EN 13954 norm for bread slicer thanks to the new safety back hood
- 1 2 possible speeds
 - 2 Safety hood



BY45A



Designation	Power	Kg	Ref.
Three-phase 380 V	550 W	131	BY45A
Single phase 230 V	550 W	131	BY45A(2)

Range *Aisance*

- Colour : white RAL N°9010, other colours on demand with extra cost
- Bread loading: from the top (frontal)
- Cutting width: 450 mm
- Slice thickness: 11 mm standard (Other thicknesses possible : 9 to 18 mm – Please notify at the order – delivery time Ex-Works SOFINOR SAS : 8 weeks)
- Maximum height of bread: 17 cm - Bowl : Ø 30 cm
- Complying with the machine European Directive 2006/42/CE
- Automatic system with device of backward movement
- Safety device: emergency stop located on top front
- Electric supply: 3-phase 380 V or single phase 230 V (to be confirmed at the order)
- Blade tension by screw



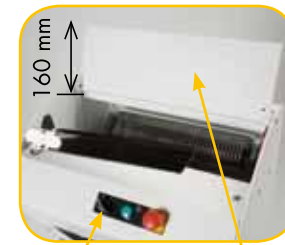
Removable hood: easy to change blades and perform maintenance
Hidden frame = safer use

With removable crumb catcher tray in front: more practical and ergonomic!



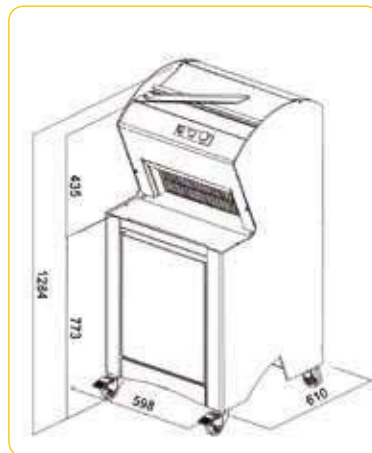
>> Automatic (without lever)

- Started by closing the safety hood
- Complying with the NF EN 13954 norm for bread slicer thanks to the new safety back hood



1 2 possible speeds

2 Safety hood



Designation	Power	Kg	Ref.
Three-phase 380 V	490 W	150	BYF45A

Options for bread slicers



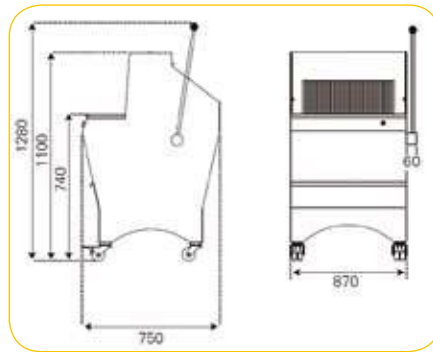
Choose the colour of your bread slicer: 200 possibilities to choose from the RAL colour chart

OPTIONS	Ref.
Spare blade for BY	4576LAMCOU13
Special RAL colour (delivery time: 9 weeks)	

Duo breadslicers

- The DUO breadslicer is available in MANUAL or AUTOMATIC versions.
- Colour : white RAL N°9010, other colours on demand with extra cost
- Thickness of the slices from 11 to 16 mm
- On the Automatic model : manual opening and closing of the rear safety cover
- On the Manual model : the rear safety cover is driven by the handle
- Maximum size of the loaf : 600 x 31 x H 16 mm
- Can be supplied in a double slicing version, one half of the slicing used for thin slicing, and the other for thick slicing

>> Manual



Designation	Power	Kg	Ref.
Three-phase 380 V	490 W	175	BYD60
Single phase 230 V	490 W	175	BYD602

>> Automatic



Designation	Power	Kg	Ref.
Three-phase 380 V	490 W	175	BYD60A
Single phase 230 V	490 W	175	BYD60A2

OPTION

Bag opening blowing system

Self service breadslicer



- The SELF SERVICE breadslicer is an automatic model.
- Colour : white RAL N°9010, other colours on demand with extra cost
- Thickness of the slices from 9 to 16 mm
- Maximum size of the loaf : 44 x 32 x H 16 cm
- Delivered with front safety plexiglass cover

Designation	Power	Kg	Ref.
Three-phase 380 V	490 W		BY5
Single phase 230 V	490 W		BY52