



GF Sentry Series Infra-Red Salamander Broiler

Item: _____
 Quantity: _____
 Project: _____
 Approval: _____
 Date: _____

GF Sentry Series Infra-Red Salamander Broiler

Models:

- GFIR36 GFIR48 GFIR60 GFIR36C

Infra-Red Broilers With Pull Out Broiling Rack



Model GFIR36

Standard Features:

- Range Mount Models – stainless steel front, sides, top, backsplash, & bottom w/heat shield
- Counter: model GFIR36C – stainless steel front, sides, & top – C/W 4" (102mm) legs
- 1/2" NPT gas inlet: range mount, standard on top; counter models standard at rear, All models can be ordered with top or rear gas connections, specify at time of order
- Two (2) 14,000 BTU (4.10 kw) atmospheric infra-red burners, each controlled with Hi-Lo valve
- Sentry flame failure protection
- Gas Regulator
- Fixed position broiling rack with flat or easy view tilt position, roll in, roll-out back
- Large capacity removable grease pan

Optional Features:

- Stainless steel main back.
- Stainless steel main bottom – GFIR36C
- Brackets for wall mounting and stainless steel bottom w/heat shield – GFIR36C
- Interconnecting gas piping for range mount

Specifications:

Range mount gas infra-red salamander broiler. Two 14,000 BTU (4.10 kw) atmospheric burners, each with a Hi-Lo valve. Fixed position, roll-in, roll out broiling rack with flat or tilt positions. 34" (864mm) wide x 19 3/8" (492mm) deep x 73 11/16" (1872mm) high when mounted on a range. Refer to drawing for detail specifications. 28,000 BTU (8.20kw) total natural gas. Available as counter top or wall mounted models – CFIR36C.

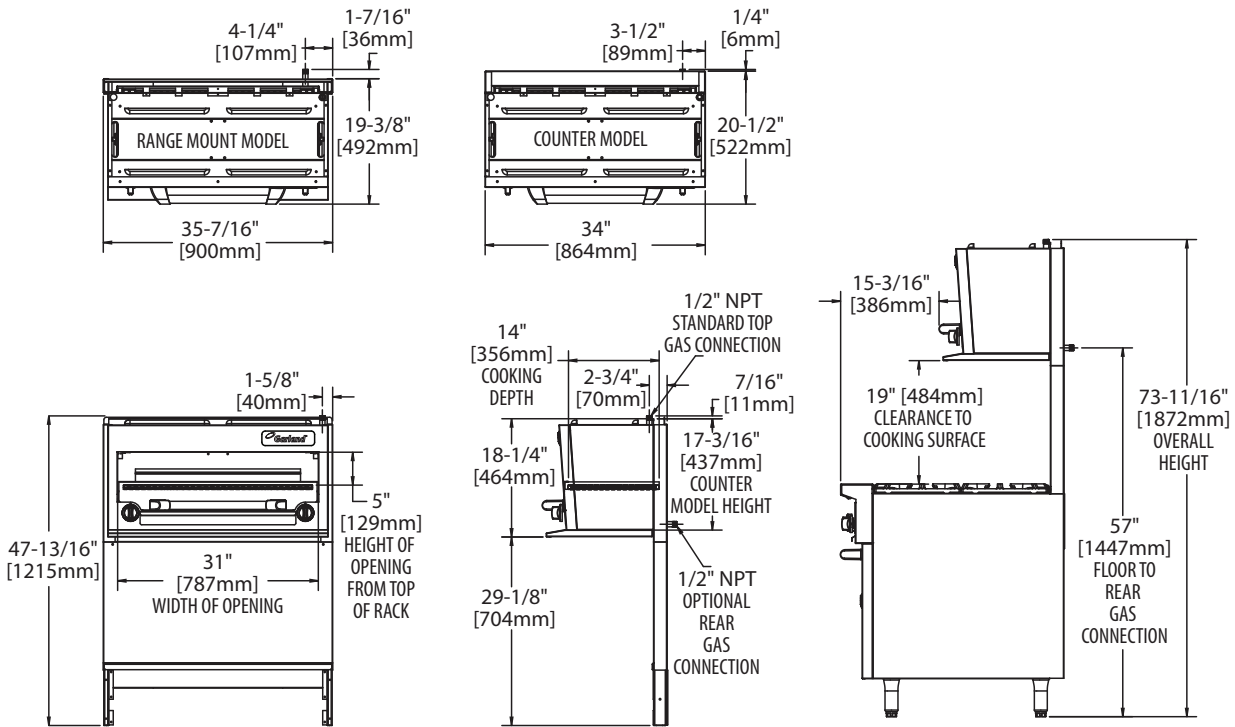


Model	Description	Width	Use With GF Series Model	Shipping Information		Entry Clearances	
				Cu Ft	lbs/Kg	Crated	Uncrated
GFIR36C	Counter/Wall Mount	34" (864mm)	N/A	21	170/77	31" (787mm)	21" (533mm)
GFIR36	Range Mount	35-1/2" (900mm)	GF/GFE36	38.2	200/91	31" (787mm)	21" (533mm)
GFIR48	Center Mounted Broiler With Extended Flue On Both Sides	47-1/4" (1200mm)	GF/GFE48	60.6	230/105	31" (787mm)	21" (533mm)
*GFIR60	Broiler With 24"(610 mm) Flue Riser And Shelf	59-1/16" (1500mm)	GF/GFE60	60.6	260/118	31" (787mm)	21" (533mm)

* Note: for range models, salamanders are standard on right but available on the left as an option. For raised griddle/broiler models, salamanders are only available on left side of the range.

Non-Combustible Clearances				Manifold Operating Pressure	
For use in non-combustible locations only				Natural Gas	
Sides	0 (in/mm)	Back	0 (in/mm)	4"WC(10mbar)	

Gas input ratings shown here are for installations up to 2,000 ft. (610m) above seal level. Specify altitudes over 2,000 ft. Garland/U.S. Range products are not approved or authorized for home or residential use, but are intended for commercial applications only. Garland / U.S. Range will not provide service, warranty, maintenance or support of any kind other than in commercial applications



Form# GFIR (05/28/14)