

Bev Coffee

珈 **The**
球 **Coffee**
香 **Scent**
Serving freshness & more...

NITRO COLD BREW

TEVERE COFFEE

Ice Bank – Cooler with two taps and ice bank technology. This is the ideal over-the-counter solution to draft two types of coffees simultaneously: Nitrogen Coffee and cold brew coffee.

High performance dispenser, with ice bank refrigerating system. Ideal for crowded places.



Made in Italy





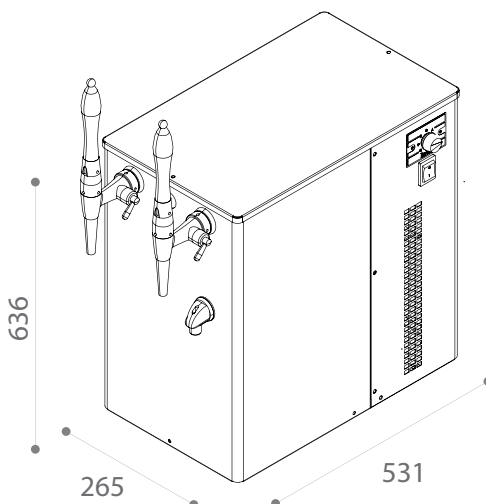
Just like beer, all you need to do is to place your glass underneath the nozzle and pull the handle down to dispense a creamy, smooth-tasting nitro brew coffee!

The Tevere Nitro Cold Brew System is a ready-to-use dispenser which nitrogenises and dispenses cold brew coffee without the need for additional tanks. This system filters nitrogen from atmospheric air and adds it to your batch of cold brew under high pressure to create a smooth, creamy, Nitro cold brew with Cascade effect.

The system draws the cold brew coffee from a separate container through a tube, cools it within the dispenser's ice bank, injects it with filtered and compressed air, blends the nitrogen gas and the cold brew liquid together, and dispenses the nitrogenised cold brew with 1 tap. The other tap dispenses chilled cold brew without foam.

FEATURES

- No need for bulky nitrogen tanks
- Slim design to fit neatly on your counter top
- Ready to use in a few minutes
- Draws from any container of cold brew coffee
- Adjustable gas levels
- Adjustable temperature control
- Low service and maintenance requirements
- Easy to use, move, and clean



TECHNICAL SPECIFICATIONS

- Power Supply:** 220 - 230V/50Hz
- Compressor:** 1/8 hp
- Cooling gas:** r134a
- Cooling system:** Ice bank
- Body:** Stainless Steel body unit
- Dimension:** 269mm (W) X 587mm (D) x 578mm (H)
- Weight:** 27 kg (empty)
- Flow rate:** 27L/hr
- Cooling Capacity:** 180W

