

NEW



SOLIDITY

The rack and tray dollies are sturdy designed products and they are manufactured for a long lasting use.

- Stainless steel structure and handle.
Frame in tube 25 x 25 mm,
Upstand Ø 25 mm.
- Stainless steel or ABS bottom according to the models.
- All weldings are made by a robot providing a perfect smoothness.
- Load up to 150 kg.

ERGONOMICS

- Removable stainless steel or ABS bottom making cleaning easier.
- Stainless steel bottom with folded edges and open corners for outflows.
- 4 swivel wheels 125 mm with polyamide cover including 2 brakes, with annular bumpers.
- Removable upstand can be added or removed on a rack dolly.

WIDE RANGE

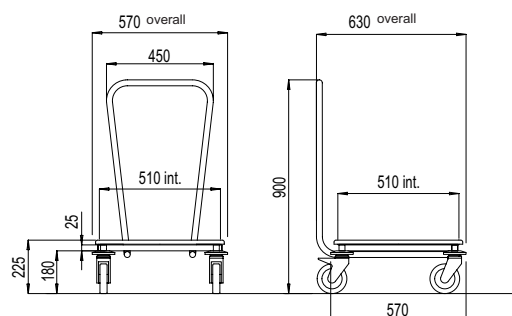
We propose 7 models with or without handle :

- Rack dollies with ABS bottom.
- Stainless steel rack dollies.
- Stainless steel tray dolly.
- There is also : "GA" rack dollies,
cheap models with wheels Ø 100 mm with galvanized steel cover screwed on the tray,
maximal load 80 kg.

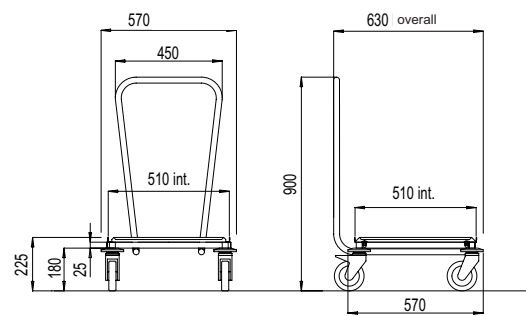


RACK AND TRAY DOLLIES

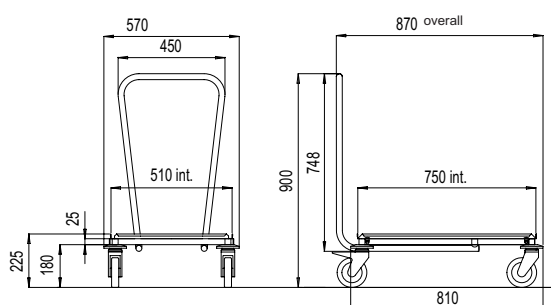
TECHNICAL CHARACTERISTICS



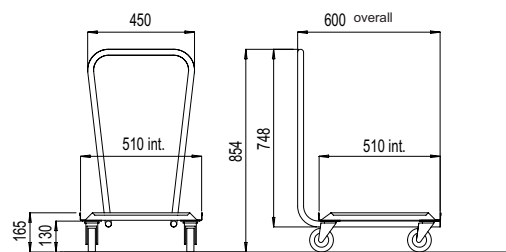
rack dolly, ABS bottom



rack dolly, stainless steel bottom



tray dolly, stainless steel bottom



"GA" rack dolly

Construction :

- Stainless steel.
- Bolted handle.
- Tube 25 x 25 mm.

Bottom :

- ABS, or stainless steel thickness 12/10th mm.
- Removable except on GA rack dolly.

Description	Overall dimensions L x W x H (mm)	Reference
Rack dolly with ABS bottom	570 x 570 x 225	800 111
Rack dolly with ABS bottom and handle	630 x 570 x 900	800 112
Stainless steel rack dolly	570 x 570 x 225	800 125
Stainless steel rack dolly with handle	630 x 570 x 900	800 126
Stainless steel tray dolly with handle	870 x 570 x 900	800 130
"GA" stainless steel rack dolly	515 x 515 x 165	800 101
"GA " stainless steel rack dolly with handle	600 x 515 x 850	800 102